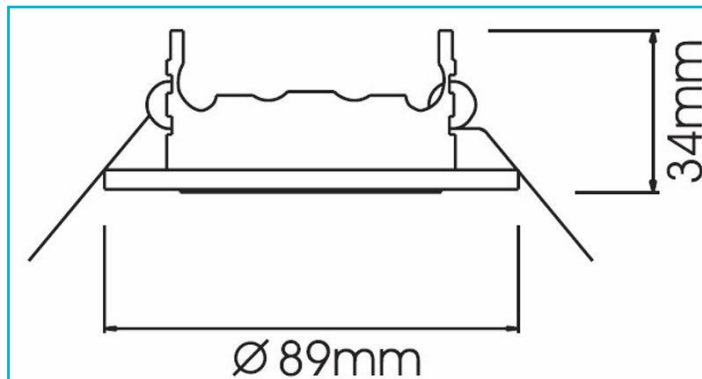


Art. no. 686867

Downlight Basic Round, Tilt, 1x max 35 W MR16, Copper

 DEKOLIGHT



Housing Material	Metal
Housing Color	Copper
Protection Class	Protection class III/safety extra-low voltage
Operating Mode	Constant voltage
max. Power	1x max. 35 W
Rated Input Voltage	12 V/AC/DC
Socket Description	GU5.3 / MR16
Socket Quantity	1
Power Supply Unit incl.	No
Connection Cable Secondary	Yes
Secondary Connection	Open cables
Dimmable	Yes
Control technology	Dimmable via optional light source
Motion Detector	No
Execution	Without lamp
Swivel Angle	30 Degree
Light Exit Surfaces	1
Light characteristics	Direct
Light direction	Below
Diameter	89 mm
Installation Depth	65 mm
Cut Out Diameter	68 mm
Product weight	79.5 g
Working Temperature	-5 to 40 °C
IP Protection Class	IP 20