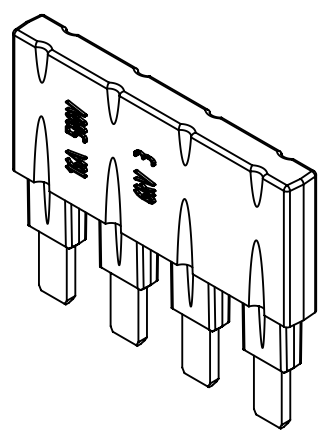
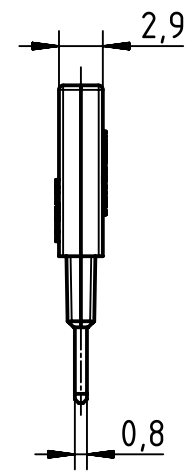
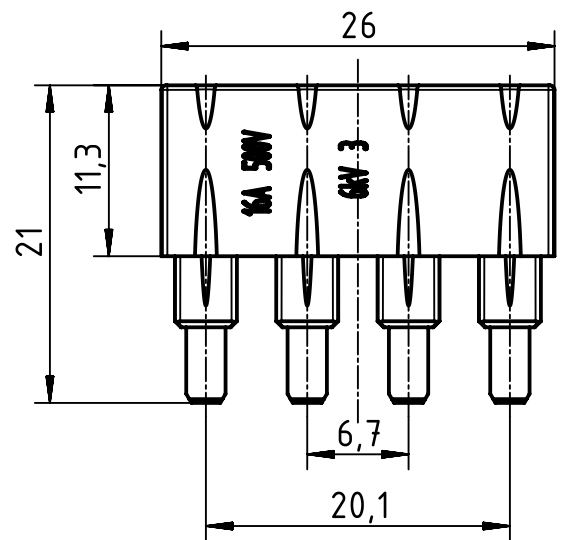



A

B

C

D



	All rights reserved Department EL PD	All Dimensions in mm Original Size DIN A4		Scale 2:1	Free size tol.	Ref.
		HARTING Electric GmbH & Co. KG D-32339 Espelkamp	Created by HELLMANN	Inspected by RIEPE	Standardisation RUETERA	Date 2018-05-24
Title Jumper Along 1x4 red 16A						Doc-Key / ECM-Nr. 100780415/UGD/000/A 500000135119
Type TB				Number 09 33 000 9832		Rev. A
						Page 1/1