

## Connector - with screw terminals one piece housing



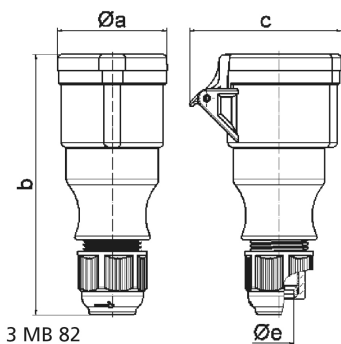
Product description	
BALS-Prd.-Nr	31012-TLS
EAN	4024941199438
product category (PG)	Connector TLS MULTI-GRIP cable gland
current (A)	32A
number of poles (P99)	3p
number of poles (P)	2P+PE
position of earth contact (H)	4 h
voltage (V)	100 up to 130V
frequency (HZ)	50 and 60Hz

Product description	
protection degree (SA)	IP44
colour code 1 (KF1)	yellow RAL 1012
Colour of appliance	Hinged lid yellow RAL 1012, Enclosure yellow RAL 1012, Cable gland grey RAL 7035
connection design (AT)	with screw terminal
maximum conductor size (LQ)	6,0 qmm
cable entry (KE)	Cable gland
Height	181mm
Width	67mm
Depth	94mm
material of enclosure (GM)	Polyamide
contact	The contact carrier is made of polyamide, The contacts are brass

Additional technical properties	
	one piece housing, Multi-Grip cable gland with gasket and integrated strain relief, For cable diameter from 11 up to max. 23,5 mm

Logistics data	
Weight/pcs	0.24 kg / Piece
Packaging	Bag
Content amount	1 ST
EAN	4024941199438

Logistics data	
Length	94 mm
Width	67 mm
Height	181 mm
Weight	0.241 kg
Volume	1,139.938 ccm
Packaging	Carton
Content amount	10 ST
EAN	4024941826938
Length	258 mm
Width	183 mm
Height	212 mm
Weight	2.552 kg
Volume	8,750 ccm



Ampere	16	16	16	32	32	32
Polzahl	3	4	5	3	4	5
a ø	51,0	58,0	65,0	67,0	67,0	73,0
b	145,0	148,0	156,0	185,0	185,0	185,0
c	74,0	84,0	90,0	94,0	94,0	102,0
e ø	18,0	18,0	18,0	23,0	23,0	23,0
Leiter mm <sup>2</sup> min	1	1	1	2,5	2,5	2,5
Leiter mm <sup>2</sup> max	2,5	2,5	2,5	6	6	6