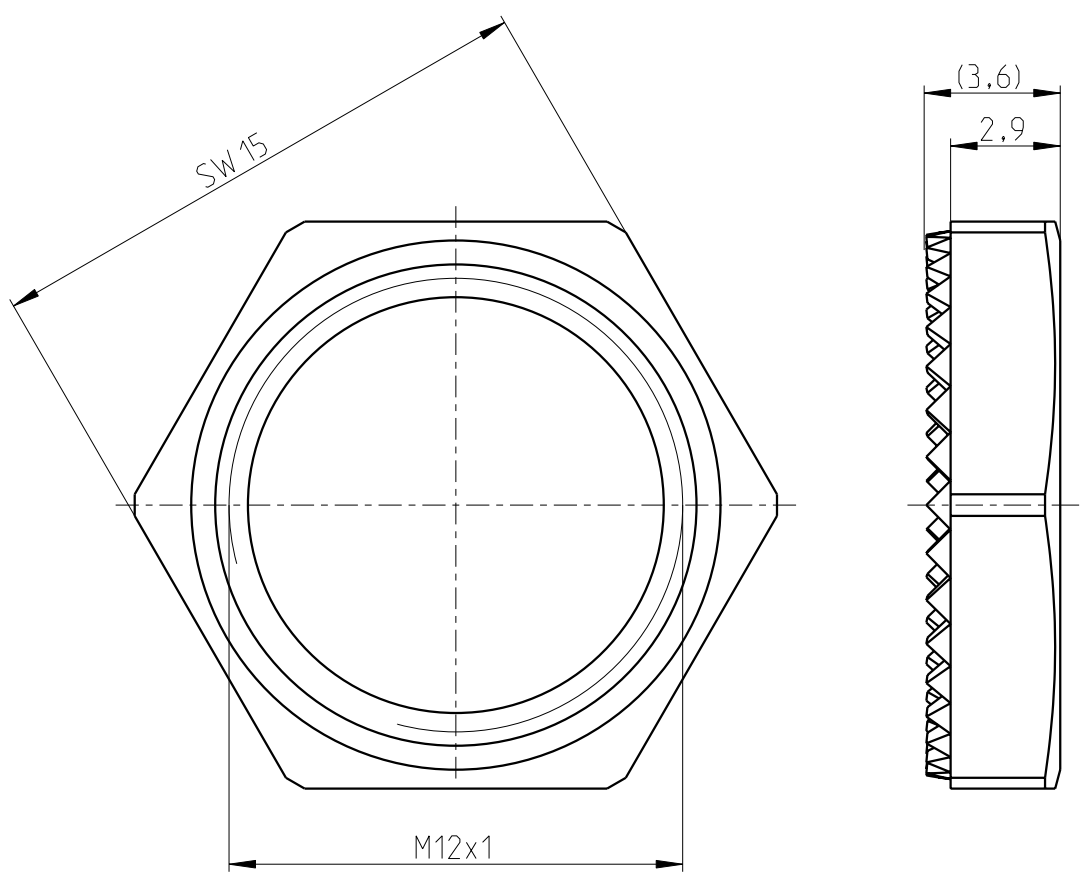


The copying, distribution and utilization of this document as well as the communication of the contents to others without expressed authorization is prohibited according to §18 UWG German Law. Offenders will be held liable for the payment of damages according to §19 UWG German Law. All rights reserved, in particular the right to carry out patent, utility model or ornamental design registrations.

Weitergabe sowie Vervielfältigung dieses Dokuments, Verwertung und Mitteilung seines Inhalts gem §18 UWG verboten, soweit nicht ausdrücklich gestattet. Zuwiderhandlungen verpflichten zu Schadenersatz (§19 UWG). Alle Rechte vorbehalten, insbesondere das Recht, Patent-, Gebrauchsmuster- oder Geschmacksmusteranmeldungen durchzuführen. PHENIX CONTACT Connector Technology GmbH Heisenbergstrasse 1 D-71083 Herrenberg

Mechanical data (according to IEC 61076-2-101)		Material	
no. of poles / coding	- / -	housing / surface	brass / nickel-plated
contact termination	-	contact carrier	-
contact- \varnothing	-	colour	-
temperature range	-	wire	-
protection class	-	cross section	-
mating cycles	-	contacts / surface	-
locking system	-	sealing gasket	-
		potting	-



general tolerance acc. to DIN ISO 2768-c		technical changes reserved		Index 1 / 2014-11-19		scale: 5:1	
design	date	name		M12 EMC nut M12x1			
2014-11-19	Scheerer						
chk.				page: 1 of: 1			
		drawing-no.:	BA-Z0001		doc.-no.:	00835617	
		order-no.:	1440151				
		article designation:	SACC-M12-KD-NUT-SH				