

## Panel mounting socket outlet, angled - flange 100x92, fixing centers 85x77

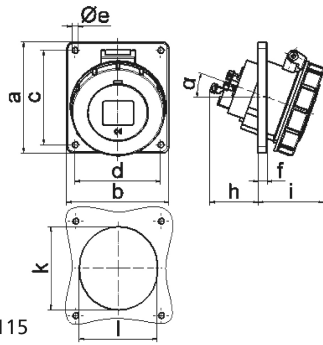


| Product description           |   |
|-------------------------------|---|
| BALS-Prd.-Nr                  | 12927   |
| EAN                           | 4024941129275   |
| product category (PG)         | TE panel mounting socket outlet Quick-Connect, angled |
| current (A)                   | 32A   |
| number of poles (P99)         | 4p  |
| number of poles (P)           | 3P+PE   |
| position of earth contact (H) | 7 h   |
| voltage (V)                   | 480 up to 500V  |

| <b>Product description</b>     |  |
|--------------------------------|--|
| frequency (HZ)                 | 50 and 60Hz  |
| protection degree (SA)         | IP67   |
| colour code 1 (KF1)            | black RAL 9005   |
| Colour of appliance            | Hinged lid black RAL 9005, Bayonet ring grey RAL 7035, Enclosure grey RAL 7035                           |
| connection design (AT)         | screwless spring terminals as cage clamp with Kontex-contact   |
| maximum conductor size (LQ)    | 10,0 qmm   |
| cable entry (KE)               | other  |
| Height                         | 110mm  |
| Width                          | 94mm   |
| Depth                          | 122mm  |
| Flange size vertical           | 100mm  |
| Flange size horizontal         | 92mm   |
| Drill hole distance vertical   | 85mm   |
| Drill hole distance horizontal | 77mm   |
| material of enclosure (GM)     | Polyamide  |
| contact                        | The contact carrier is made of high temperature resistant material, the contacts are brass nickel plated |

| <b>Additional technical properties</b> |                        |
|--|------------------------|
|  | The inclination is 20° |

| Logistics data |                  |
|----------------|------------------|
| Weight/pcs     | 0.268 kg / Piece |
| Packaging      | Bag              |
| Content amount | 1 ST             |
| EAN            | 4024941129275    |
| Length         | 122 mm           |
| Width          | 94 mm            |
| Height         | 110 mm           |
| Weight         | 0.269 kg         |
| Volume         | 1,261.48 ccm     |
| Packaging      | Carton           |
| Content amount | 10 ST            |
| EAN            | 4024941941129    |
| Length         | 122 mm           |
| Width          | 222 mm           |
| Height         | 538 mm           |
| Weight         | 3.018 kg         |
| Volume         | 14,332.32 ccm    |



| Ampere         | 16   | 16    | 16    | 32    | 32    | 32    |
|----------------|------|-------|-------|-------|-------|-------|
| Polzahl        | 3    | 4     | 5     | 3     | 4     | 5     |
| a              | 74,0 | 100,0 | 100,0 | 100,0 | 100,0 | 100,0 |
| b              | 62,0 | 92,0  | 92,0  | 92,0  | 92,0  | 92,0  |
| c              | 60,0 | 85,0  | 85,0  | 85,0  | 85,0  | 85,0  |
| d              | 52,0 | 77,0  | 77,0  | 77,0  | 77,0  | 77,0  |
| e ø            | 5,5  | 5,5   | 5,5   | 5,5   | 5,5   | 5,5   |
| f              | 8,0  | 8,0   | 8,0   | 8,0   | 8,0   | 8,0   |
| h              | 46,0 | 46,0  | 46,0  | 55,0  | 55,0  | 55,0  |
| i              | 57,0 | 57,0  | 60,0  | 65,0  | 65,0  | 69,0  |
| k              | 57,0 | 65,0  | 70,0  | 75,0  | 75,0  | 78,0  |
| l              | 52,0 | 65,0  | 70,0  | 75,0  | 75,0  | 78,0  |
| α              | 20°  | 20°   | 20°   | 20°   | 20°   | 20°   |
| Leiter mm² min | 1,5  | 1,5   | 1,5   | 2,5   | 2,5   | 2,5   |
| Leiter mm² max | 4    | 4     | 4     | 10    | 10    | 10    |