

1

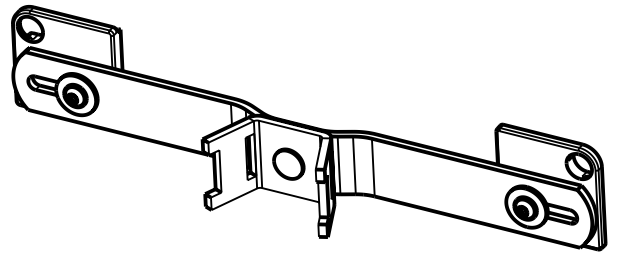
2

3

4

A

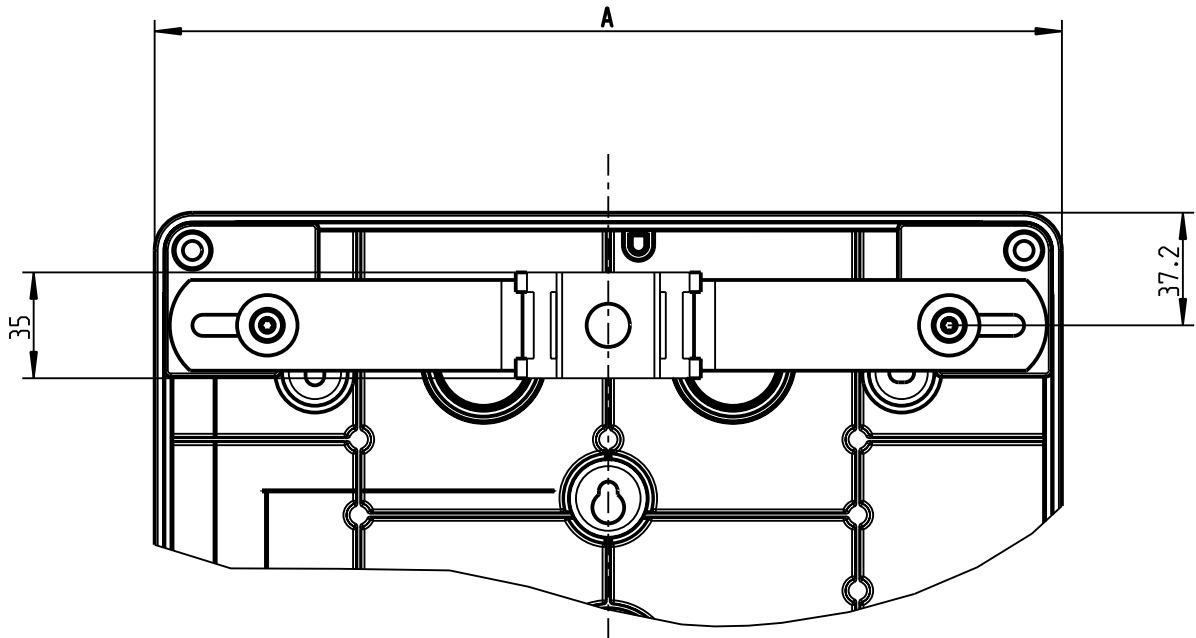
A



3:10

B

B

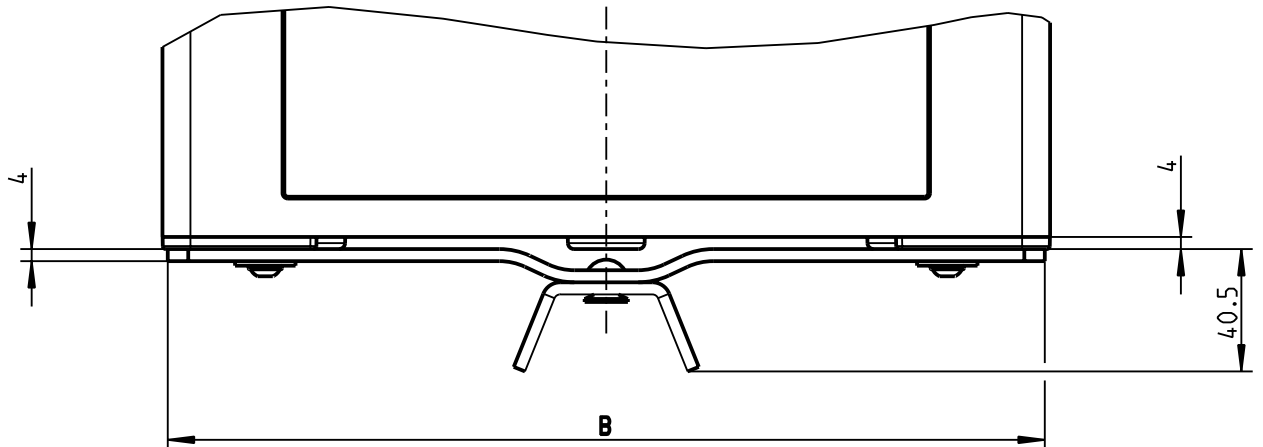


C

C

D

D



E

E

F

GEOS-MSS-50	500	486
GEOS-MSS-40	400	386
GEOS-MSS-30	300	286
<b>Type</b>	<b>A</b>	<b>B</b>

Schutzvermerk ISO 16016 beachten. Refer to protection notice ISO 16016.

Maßstab: 2:5



Massblatt/ dimension sheet

Mastbefestigung GEOS MSS

M-GEOS-MSS

A4

0 Freigabe

04.10.18

