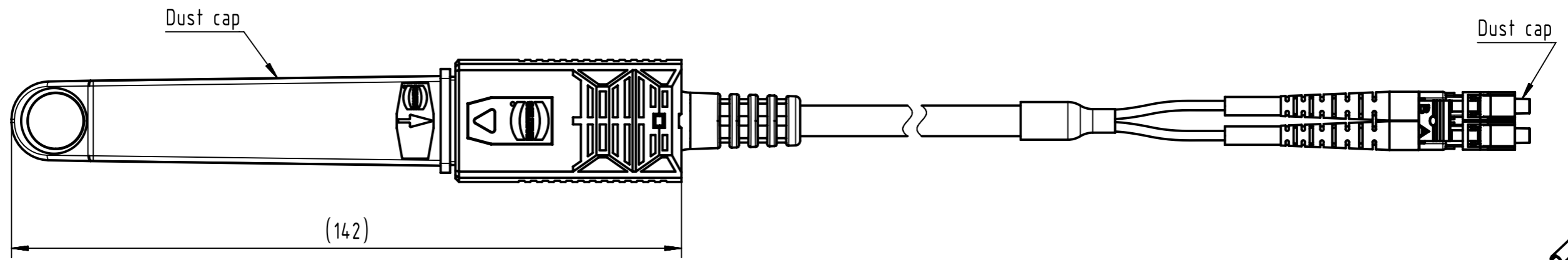
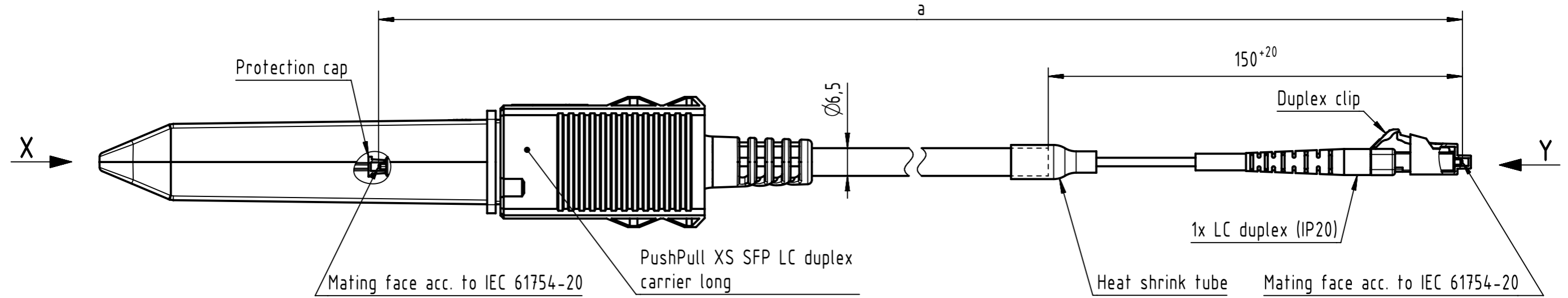


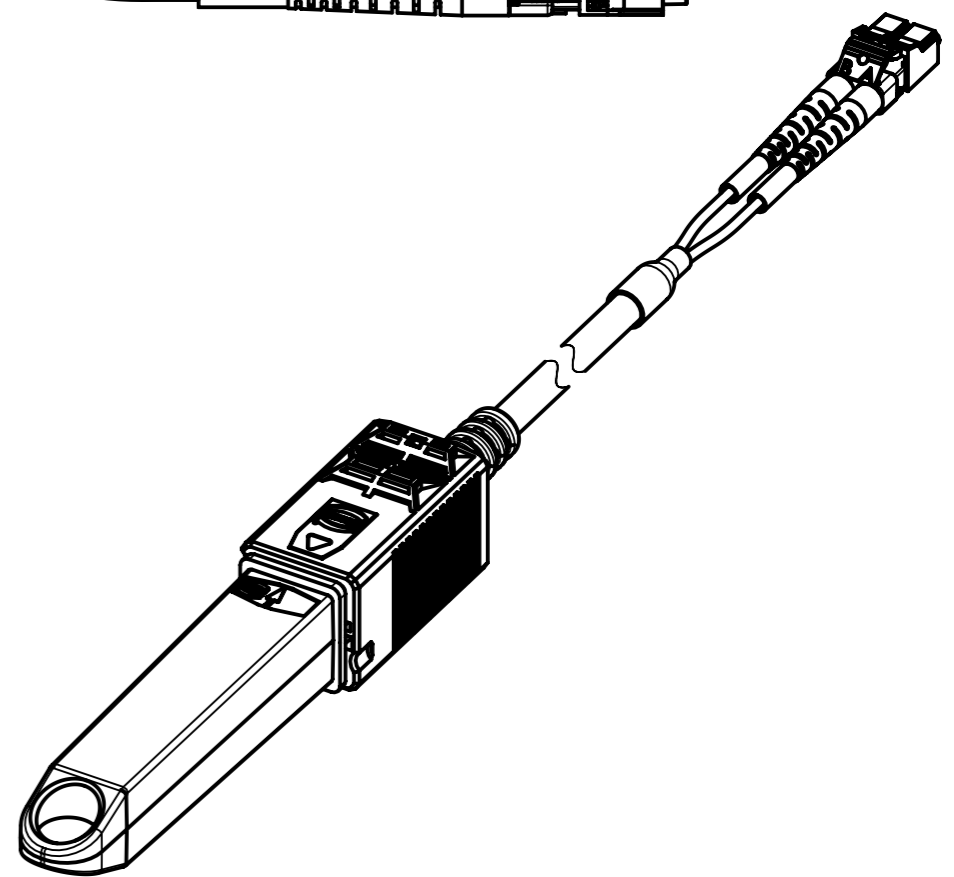
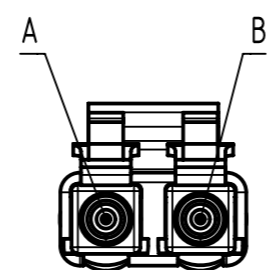
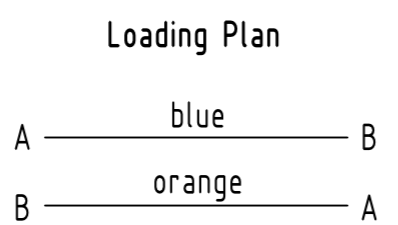
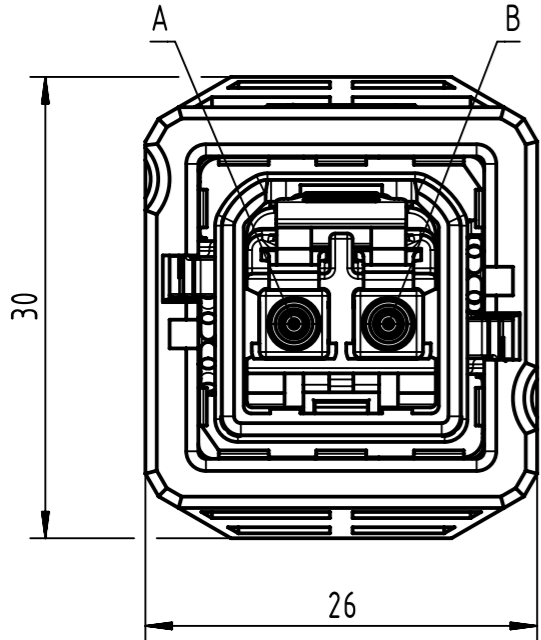
Connector Location A

Connector Location B




X male
(without dust cap and protection cap)

Y male
(without dust cap)



Further information see DS 33265100000

	All rights reserved	Created by 402676 Gross	Inspected by 402676 Gross	Standardisation COSTEA Costea	Date 2022-08-31	State Final Release
	Department HCS - RO	Title PP XS LCdx Lg - LCdx, SM Assy		Doc-Key / ECM-Nr. 100572207/UGD/037/G 50000219506		
HARTING Customised Solutions D-32339 Espelkamp		Type TB	Number 332623XXXX0016		Rev. G	Page 1/2

1	2	3	4	5	6	7	8	
A								A
B								B
C	28	33262311000016	F0 Cable, 2-channel, SM, 9/125µm, PUR, black	100	±1%			
	27	33262310900016		90				
	26	33262310800016		80				
	25	33262310700016		70				
	24	33262310600016		60				
	23	33262310500016		50				
	22	33262310450016		45				
	21	33262310400016		40				
	20	33262310350016		35				
	19	33262310300016		30				
D	18	33262310250016	25					
	17	33262310200016	20					
	16	33262310150016	15					
	15	33262310140016	14					
	14	33262310130016	13					
	13	33262310120016	12					
	12	33262310110016	11					
	11	33262310100016	10					
	10	33262310090016	9					
	9	33262310080016	8					
E	8	33262310070016	7					
	7	33262310060016	6					
	6	33262310050016	5					
	5	33262310040016	4					
	4	33262310030016	3					
	3	33262310020016	2					
	2	33262310010016	1					
	1	33262330500016	0.5					
	F	Cont. no.	Part no.	Type of cable	Dim. a[m]	±0.03		
					 All rights reserved Department HCS - RO HARTING Customised Solutions D-32339 Espelkamp	Tech. Character. Free size tol. According to production drawing	Created by 402676 Gross Inspected by 402676 Gross Standardisation COSTEA Costea Date 2022-08-31 State Final Release	Doc-Key / ECM-Nr. 100572207/UGD/037/G 500000219506 Rev. G Page 2/2
1	2	3	4	5	6	7	8	