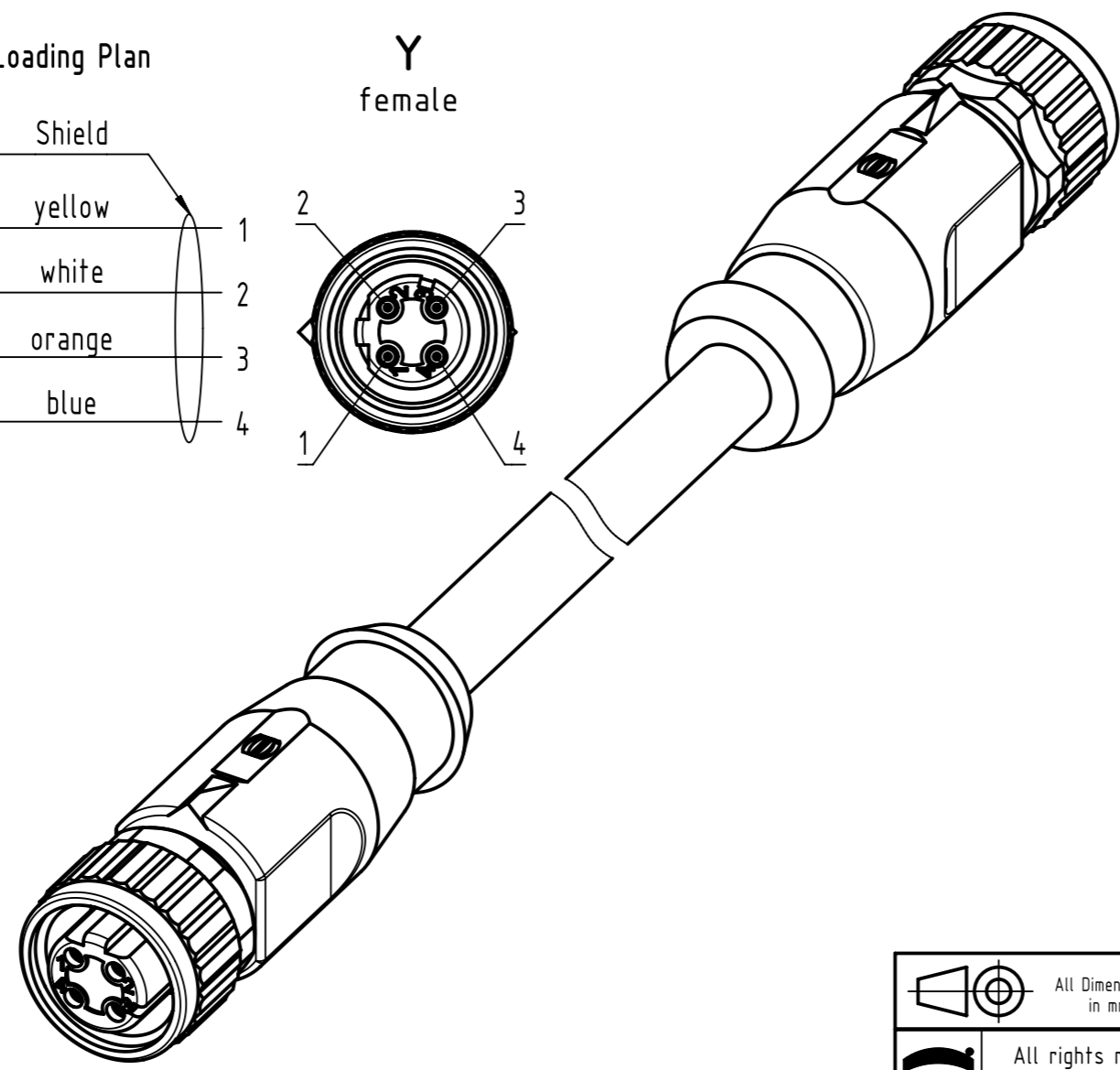
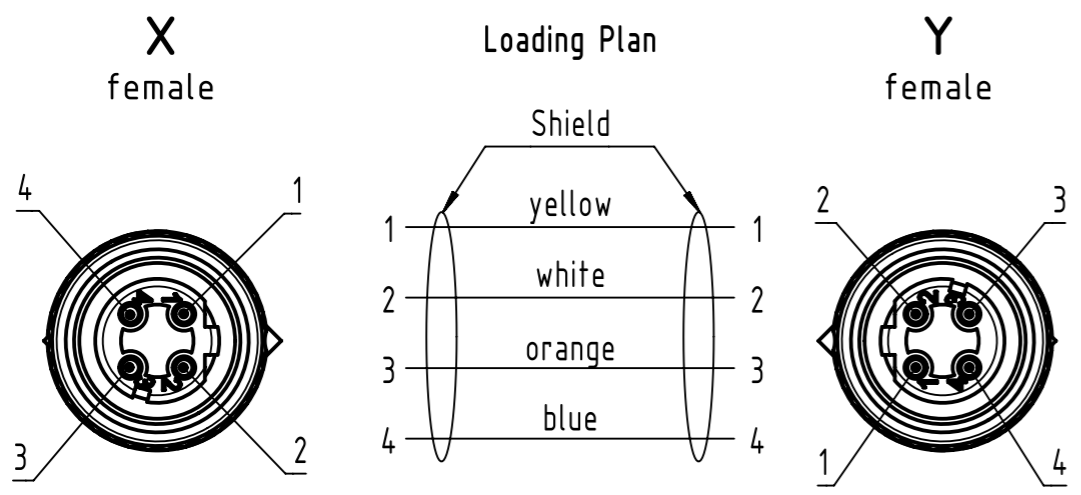
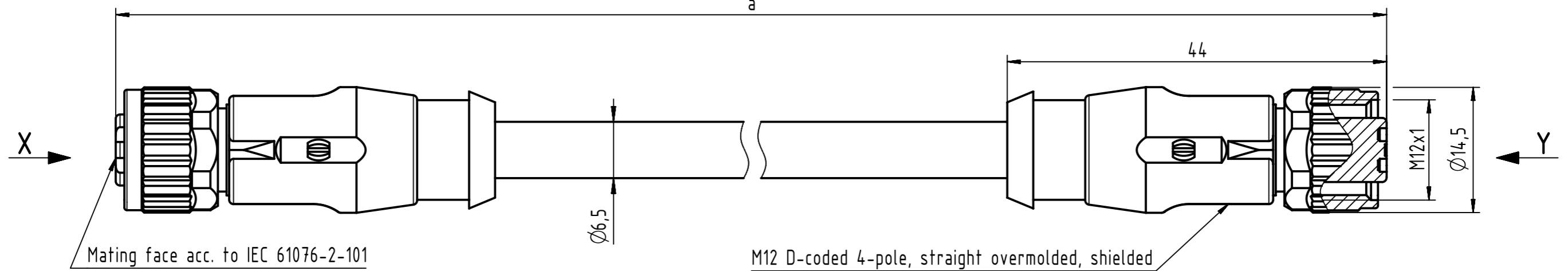


Connector Location A

Connector Location B



length in "1m" step	100	XXX=000
	99	XXX=990
	.	.
	12	XXX=120
length in "0.1m" step	11	XXX=110
	10	XXX=100
	9.9	XXX=099
	9.8	XXX=098
	.	.
	0.4	XXX=004
	0.3	XXX=003
	0.2	XXX=002
	0.1	XXX=001
Step	a [m]	XXX

4.0 to 100	±1%
0.1 to 3.9	+0.04
a [m]	Tolerance

Part no.	213493934XXXXX
Type of cable	XX
PVC, green, 4xAWG22/7	XX=05
PUR, green, 4xAWG22/7	XX=77

- Protection level: IP67
 - Temperature range: -30°C ... +70°C

All rights reserved Department HCS - RO HARTING Customised Solutions D-32339 Espelkamp		All Dimensions in mm Tech. Character. Free size tol. According to production drawing	Created by BANCIUD Banciu Title M12 Cable As D-cod 4poles st/st f/f Type TB	Inspected by COSTEA Costea Title Number 213493934XXXXX	Standardisation MUNTEANV Muntean Date 2019-03-01	State Final Release Doc-Key / ECM-Nr. 100591622/UGD/000/E 50000014.8052 Rev. E Page 1/1
---	--	---	--	--	---	---