

Smart String Inverter



Higher Revenue

Max. efficiency 98.65%



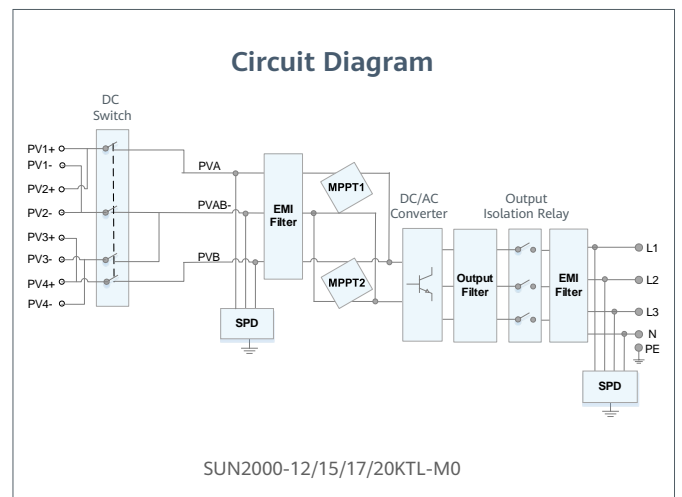
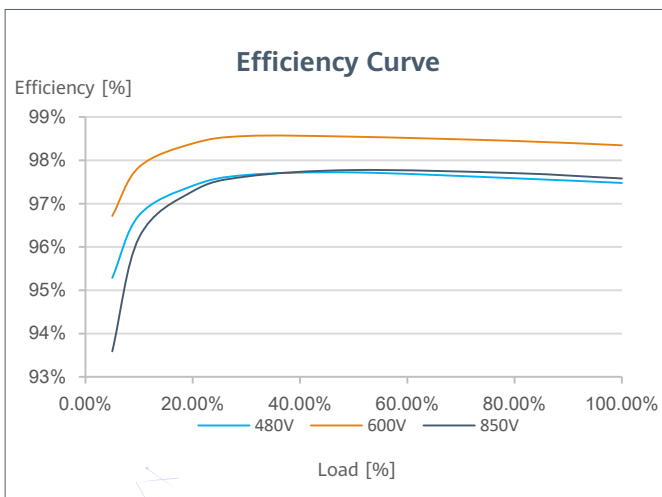
Simple & Easy

25 kg



Safe & Reliable

Arc fault protection



SUN2000-12/15/17/20KTL-M0 Technical Specification

Technical Specification	SUN2000 -12KTL-M0	SUN2000 -15KTL-M0	SUN2000 -17KTL-M0	SUN2000 -20KTL-M0
-------------------------	----------------------	----------------------	----------------------	----------------------

Efficiency

Max. efficiency	98.50%	98.65%	98.65%	98.65%
European weighted efficiency	98.00%	98.30%	98.30%	98.30%

Input

Recommended max. PV power	24,000 Wp	29,760 Wp	29,760 Wp	29,760 Wp
Max. input voltage ¹	1,080 V			
Operating voltage range ²	160 V ~ 950 V			
Start voltage	200 V			
Full power MPPT voltage range	380 Vdc ~ 850 Vdc	380 Vdc ~ 850 Vdc	400 Vdc ~ 850 Vdc	480 Vdc ~ 850 Vdc
Rated input voltage	600 V			
Max. input current per MPPT	22 A			
Max. short-circuit current	30 A			
Number of MPP trackers	2			
Max. number of inputs	4			

Output

Grid connection	Three phase			
Rated output power	12,000 W	15,000 W	17,000 W	20,000 W
Max. apparent power	13,200 VA	16,500 VA	18,700 VA	22,000 VA
Rated output voltage	220 Vac / 380 Vac, 230 Vac / 400 Vac, 3W + N + PE			
Rated AC grid frequency	50 Hz / 60 Hz			
Max. output current	20 A	25.2 A	28.5 A	33.5 A
Adjustable power factor	0.8 leading ... 0.8 lagging			
Max. total harmonic distortion	≤ 3 %			

Features & Protections

Input-side disconnection device	Yes
Anti-islanding protection	Yes
AC over-current protection	Yes
AC short-circuit protection	Yes
AC over-voltage protection	Yes
DC reverse-polarity protection	Yes
DC surge protection	Type II
AC surge protection	Yes, compatible TYPE II protection class according to EN/IEC 61643-11
Residual current monitoring unit	Yes
Arc fault protection	Yes
Ripple receiver control	Yes

General Data

Operation temperature range	-25 ~ + 60 °C (-13 °F ~ 140 °F) (Derating above 45 °C @ Rated output power)
Relative humidity	0 % RH ~ 100% RH
Max. operating altitude	0 - 4,000 m (13,123 ft.) (Derating above 2000 m)
Cooling	Natural Convection
Display	LED indicators; integrated WLAN + FusionSolar APP
Communication	RS485; WLAN/Ethernet via Smart Dongle-WLAN-FE (Optional) 4G / 3G / 2G via Smart Dongle-4G (Optional)
Weight (with mounting plate)	25 kg
Dimensions (W x H x D) (incl. mounting plate)	525 x 470 x 262 mm (20.7 x 18.5 x 10.3 inch)
Degree of protection	IP65
Nighttime Power Consumption	< 5.5 W

Standard Compliance (more available upon request)

Safety	EN/IEC 62109-1, EN/IEC 62109-2
Grid connection standards	G98, G99, EN 50438, EN50549, CEI 0-21, CEI 0-16, VDE-AR-N-4105, VDE-AR-N-4110, AS 4777, C10/11, ABNT, UTE C15-712, RD 1699, RD 661, PO 12.3, TOR D4, IEC61727, IEC62116, DEWA

^{*1} The maximum input voltage is the upper limit of the DC voltage. Any higher input DC voltage would probably damage inverter.

^{*2} Any DC input voltage beyond the operating voltage range may result in inverter improper operating.