

Domestic panel mounting socket outlet, with increased contact protection (shutter), for stationary distributor systems - flange 75x75, System E Belgian/French standard

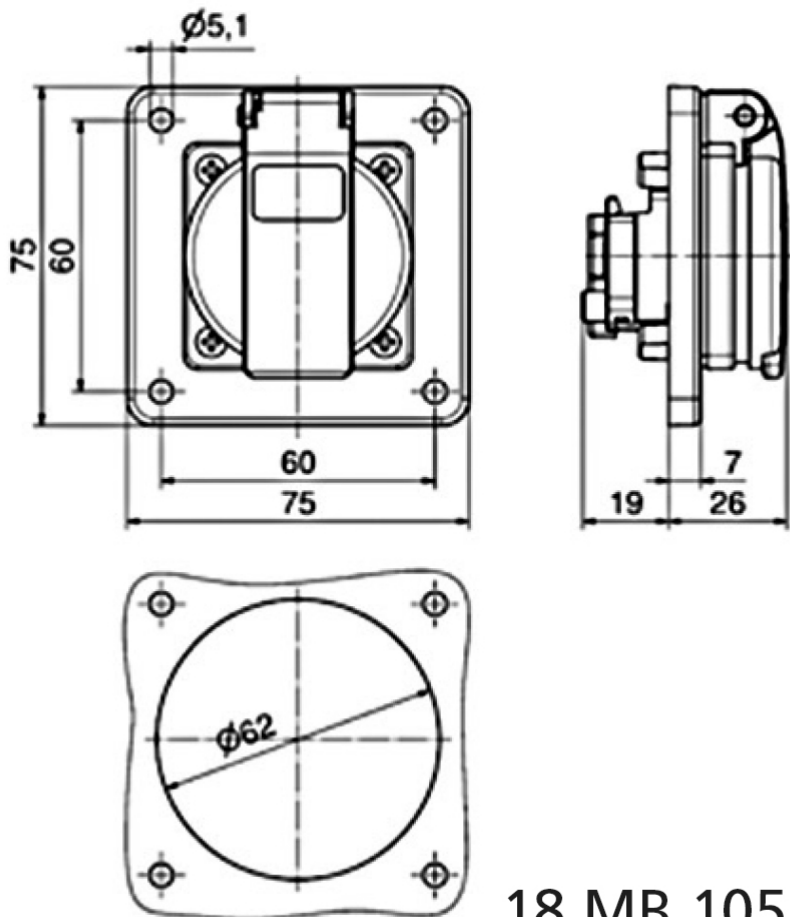
Product description	
BALS-Prd.-Nr	7112109
EAN	4024941939478
Product category	Domestic panel mounting socket, Quick-Connect screwless push-contact System E Belgian/French standard
Current	16A
Number of poles	3p
Poles	2P+PE
Voltage	250V
Frequency	alternating current (AC)
Protection degree	IP54
Colour code	blue RAL 5015
Colour of appliance	Enclosure blue RAL 5015, Hinged lid blue RAL 5015
Connection design	screwless
Maximum conductor size	4,0 qmm
Height	75mm
Width	75mm
Depth	45mm

Product description	
Flange size vertical	75mm
Flange size horizontal	75mm
Drill hole distance vertical	60mm
Drill hole distance horizontal	60mm
Material of enclosure	Polyamide
Contact	The contact carrier is made of polyamide, the contacts are brass nickel plated

Additional technical properties	
	The connection is rear, With earth contact Belgian/French standard, With increased contact protection (shutter)

Logistics data	
Weight/pcs	0.092 kg / Piece
Packaging	Bag
Content amount	1 ST
EAN	4024941939478
Length	45 mm
Width	75 mm
Height	75 mm
Weight	0.093 kg
Volume	253.125 ccm
Packaging	Carton

Logistics data	
Content amount	20 ST
EAN	4024941323574
Length	275 mm
Width	175 mm
Height	137 mm
Weight	1.965 kg
Volume	5,737.5 ccm



18 MB 105