

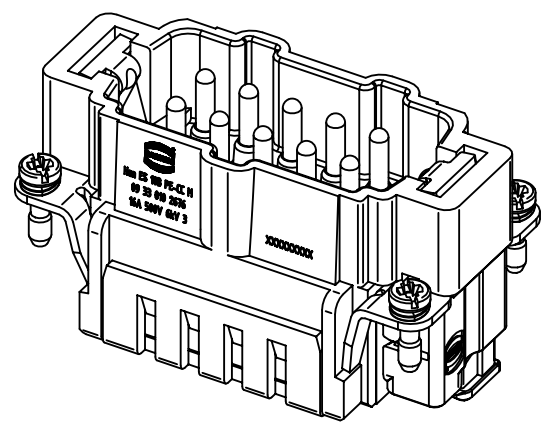
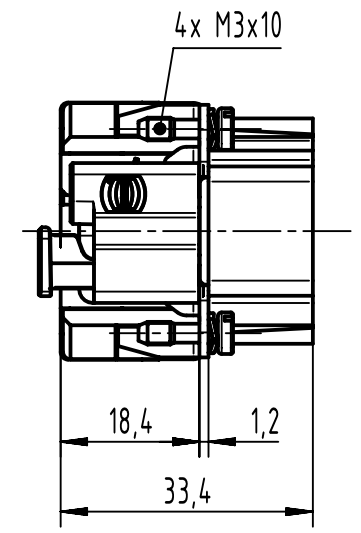
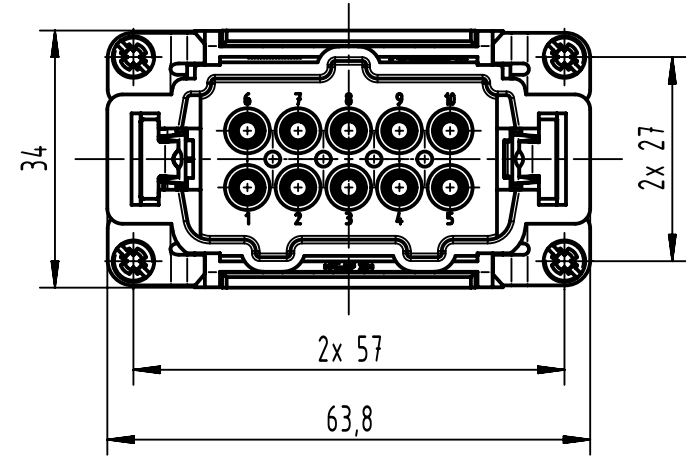
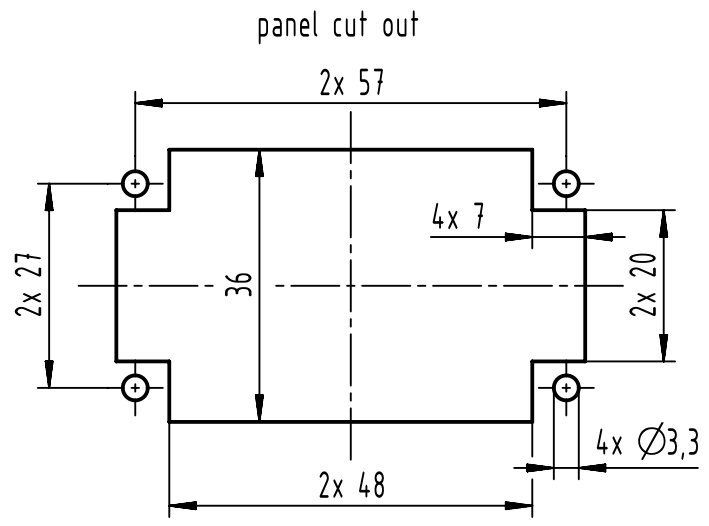
1 2 3 4 5 6

A

B

C

D



	All Dimensions in mm Original Size DIN A4		Scale 1:1	Free size tol.		Ref.
						Sub.
	All rights reserved		Created by HEW	Inspected by DINGB	Standardisation RUETERA	Date 2021-10-29
	Department EL PD					State Final Release
HARTING D-32339 Espelkamp			Title Han ES 10B PE-CC Male			Doc-Key / ECM-Nr. 100922609/UGD/005/B 500000204.777
			Type TB	Number 09 33 010 2676		Rev. B Page 1/1