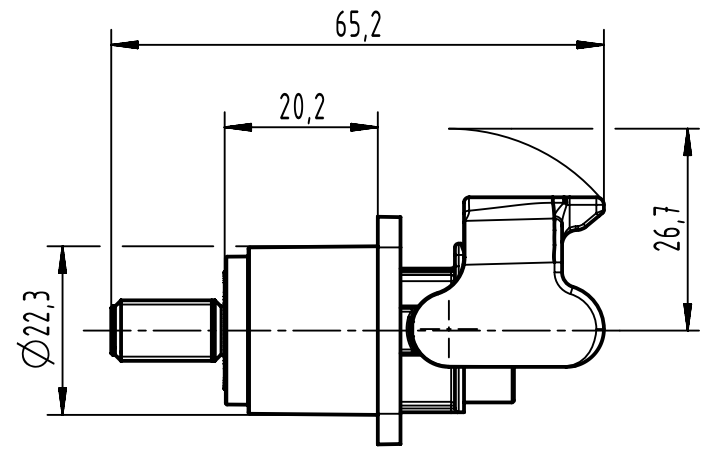
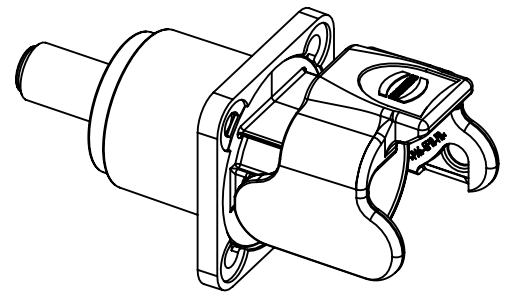
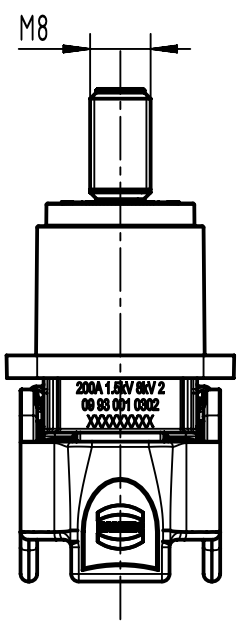
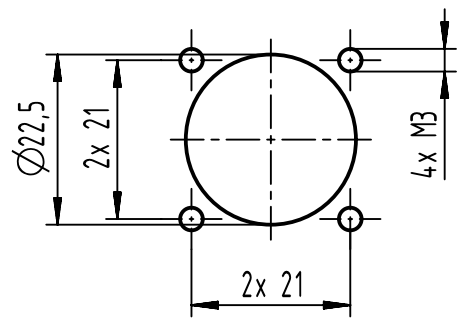



4x screw M3 ISO 7380-2
is not included



panel cut out



	All rights reserved Department EL PD	All Dimensions in mm Original Size DIN A4		Scale 1:1	Free size tol.	Ref. Sub.
		Created by LONGL	Inspected by WANGSTE	Standardisation RUETERA	Date 2022-08-11	State Final Release
HARTING D-32339 Espelkamp		Title Han® S-HBM w. MC M8-red			Doc-Key / ECM-Nr. 100848391/UGD/001/D 500000223119	
		Type TB	Number 09 93 001 0302		Rev. D	Page 1/1