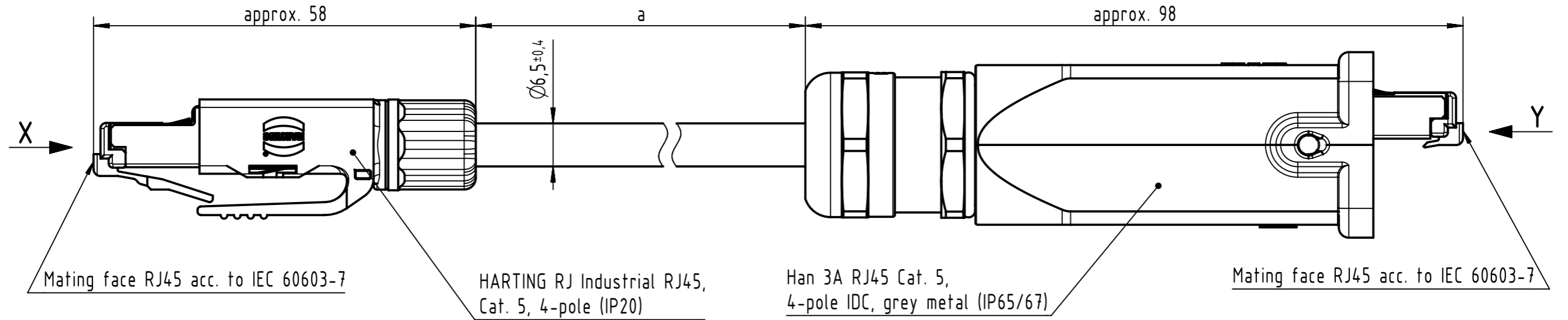


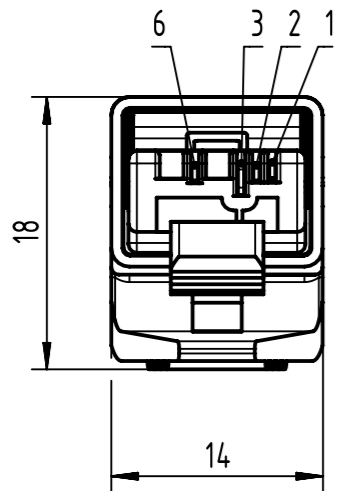
Connector Location A

Connector Location B

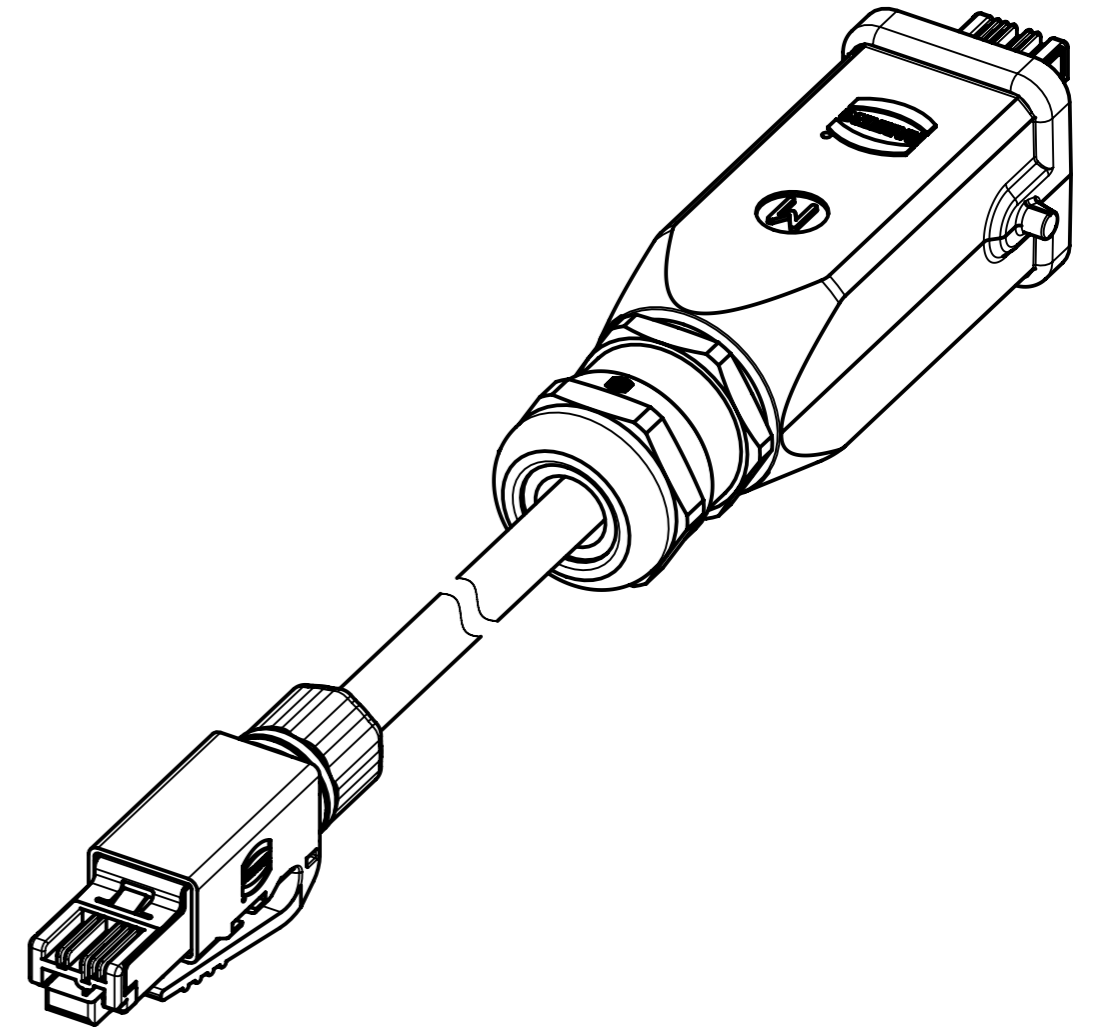
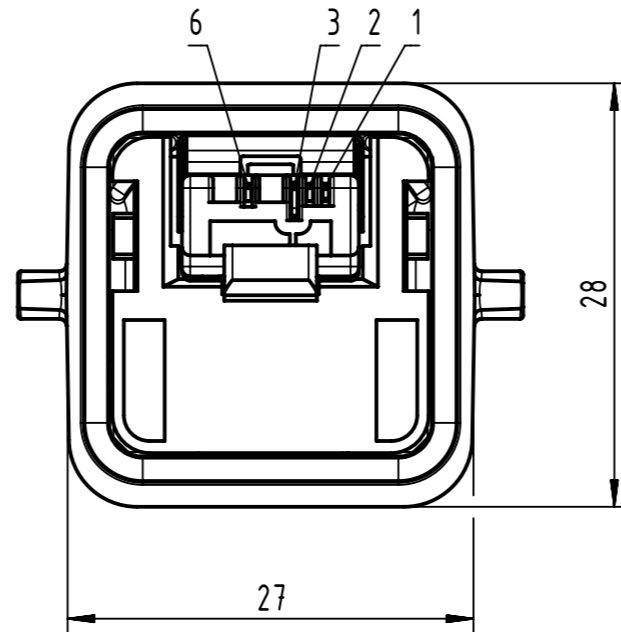
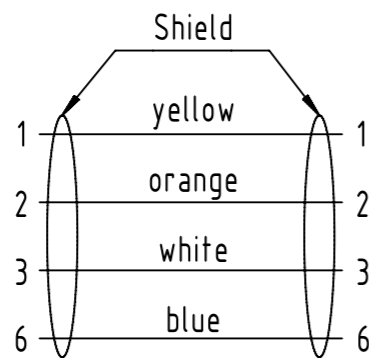


X
male

Y
male





Loading Plan



- Temperature range: -30°C ... +70°C

	All rights reserved	Created by COSTEA Costea	Inspected by 402676 Gross	Standardisation MUNTEANV Muntean	Date 2023-06-08	State Final Release
	Department HCS - RO	Title RJ Industrial Cable Assembly			Doc-Key / ECM-Nr. 100155468/UGD/006/F 500000245661	
HARTING Customised Solutions D-32339 Espelkamp		Type TB	Number 0945700XXXX		Rev. F	Page 1/2

1	2	3	4	5	6	7	8	
HAR PROFINET Typ B 4xAWG 22/7 PVC green								
47	09457001183		100 ±1					
46	09457001182		90 ±0.9					
45	09457001181		80 ±0.8					
44	09457001180		70 ±0.7					
43	09457001179		60 ±0.6					
42	09457001186		53 ±0.53					
41	09457001178		50 ±0.5					
40	09457001177		40 ±0.4					
39	09457001184		33 ±0.33					
38	09457001176		30 ±0.3					
37	09457001175		20 ±0.2					
36	09457001174		15 ±0.15					
35	09457001173		10 ±0.1					
34	09457001172		9 ±0.09					
33	09457001171		8 ±0.08					
32	09457001185		7.5 ±0.075					
31	09457001170		7 ±0.07					
30	09457001169		6 ±0.06					
29	09457001168		5 ±0.05					
28	09457001167		4 ±0.04					
27	09457001166		3 ±0.03					
26	09457001165		2 ±0.02					
25	09457001164		1.5 ±0.015					
24	09457001163		1 ±0.01					
23	09457001162		0.5 ±0.01					
HAR PROFINET Typ C 4xAWG 22/7 PUR Trail. green								
70	09457000061		100 ±1					
69	09457000060		90 ±0.9					
68	09457000059		80 ±0.8					
67	09457000058		70 ±0.7					
66	09457000057		60 ±0.6					
65	09457000056		50 ±0.5					
64	09457000055		40 ±0.4					
63	09457000054		30 ±0.3					
62	09457000053		20 ±0.2					
61	09457000052		15 ±0.15					
60	09457000032		12 ±0.12					
59	09457000051		10 ±0.1					
58	09457000031		9 ±0.09					
57	09457000030		8 ±0.08					
56	09457000029		7 ±0.07					
55	09457000028		6 ±0.06					
54	09457000027		5 ±0.05					
53	09457000026		4 ±0.04					
52	09457000025		3 ±0.03					
51	09457000024		2 ±0.02					
50	09457000023		1.5 ±0.015					
49	09457000022		1 ±0.01					
48	09457000021		0.5 ±0.01					
Cont. no.	Part no.	Type of cable	Dim. a[m]					
<div style="display: flex; justify-content: space-between;"> <div style="width: 20%;">  <p>All rights reserved Department HCS - RO</p> </div> <div style="width: 20%;"> <p>Created by COSTEA Costea</p> <p>Inspected by 402676 Gross</p> <p>Standardisation MUNTEANV Muntean</p> <p>Date 2023-06-08</p> <p>State Final Release</p> </div> <div style="width: 40%;"> <p>Title RJ Industrial Cable Assembly</p> <p>Type TB Number 0945700XXXX</p> </div> <div style="width: 20%;"> <p>Doc-Key / ECM-Nr. 100155468/UGD/006/F 50000245661</p> <p>Rev. F Page 2/2</p> </div> </div>								
<div style="display: flex; justify-content: space-between;"> <div style="width: 20%;">  <p>All Dimensions in mm</p> </div> <div style="width: 20%;"> <p>Tech. Character.</p> </div> <div style="width: 20%;"> <p>Free size tol.</p> </div> <div style="width: 30%;"> <p>According to production drawing</p> </div> </div>								
<p>HARTING Customised Solutions D-32339 Espelkamp</p>								
Cont. no.	Part no.	Type of cable	Dim. a[m]					
HAR PROFINET Typ A 4xAWG 22/1 PVC green								
22	09457001161		100 ±1					
21	09457001160		90 ±0.9					
20	09457001159		80 ±0.8					
19	09457001158		70 ±0.7					
18	09457001157		60 ±0.6					
17	09457001156		50 ±0.5					
16	09457001155		40 ±0.4					
15	09457001154		30 ±0.3					
14	09457001153		20 ±0.2					
13	09457001152		15 ±0.15					
12	09457001151		10 ±0.1					
11	09457001131		9 ±0.09					
10	09457001130		8 ±0.08					
9	09457001129		7 ±0.07					
8	09457001128		6 ±0.06					
7	09457001127		5 ±0.05					
6	09457001126		4 ±0.04					
5	09457001125		3 ±0.03					
4	09457001124		2 ±0.02					
3	09457001123		1.5 ±0.015					
2	09457001122		1 ±0.01					
1	09457001121		0.5 ±0.01					