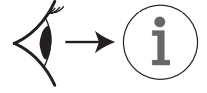
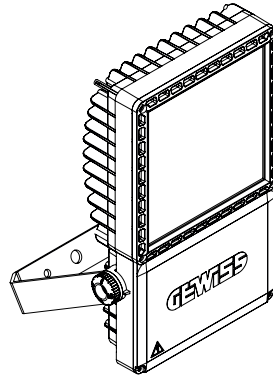


SMART [PRO] 2.0

GEWISS



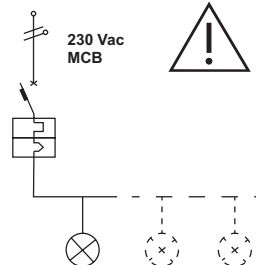
	DIMMING	Kg			V_{in}	I_{out}	W	t_a
	1-10 V	5,7	0,038 m ²	0,085 m ²	220-240 V 50/60 Hz	Max 0,7A	165W	Max 40°C
	DALI	5,7	0,038 m ²	0,085 m ²	220-240 V 50/60 Hz	Max 0,7A	165W	Max 50°C



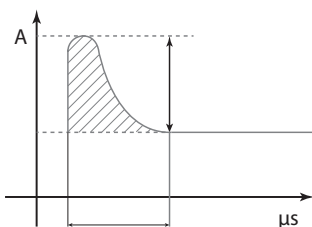
LED CCT		≤ 5700 K
Optics		RG1
	S1	10 m
	S2	10 m
	A1	10 m
	A3	12,5 m
	C4	11 m
	C3	11 m
	C2	11 m
	C1	11 m

T [°C]	Flux Factor 1-10 V version	Flux Factor DALI version	I ± 5%	W ± 5%
25	1	1	0,7 A	165
30	1	1	0,7 A	165
35	1	1	0,7 A	165
40	1	1	0,7 A	165
45	-	0,9	0,63 A	148
50	-	0,8	0,56 A	132

Flux Factor = Flux (T) / Flux (T=25°C)



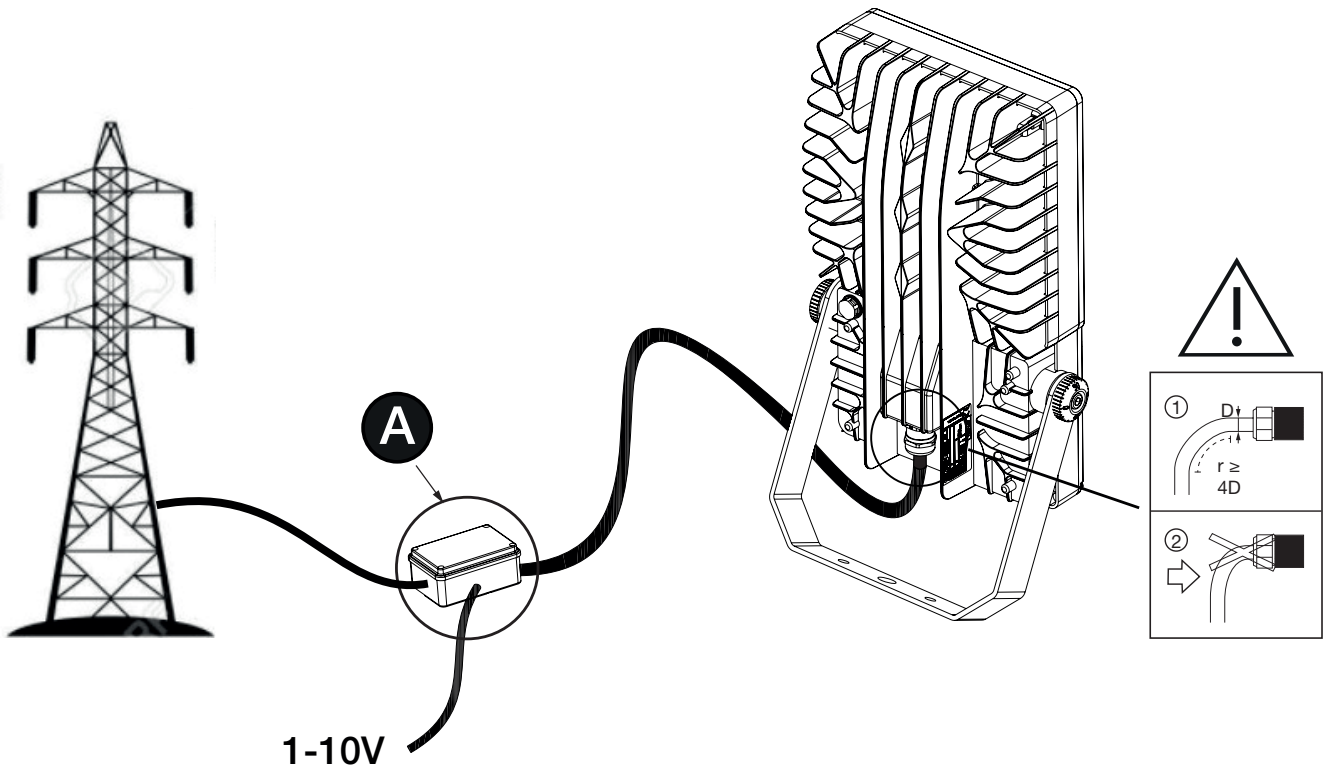
MCB Type B:	10A	16A	20A
	-	1	2
MCB Type C:	10A	16A	20A
	1	3	5
MCB Type D:	10A	16A	20A
	4	8	12



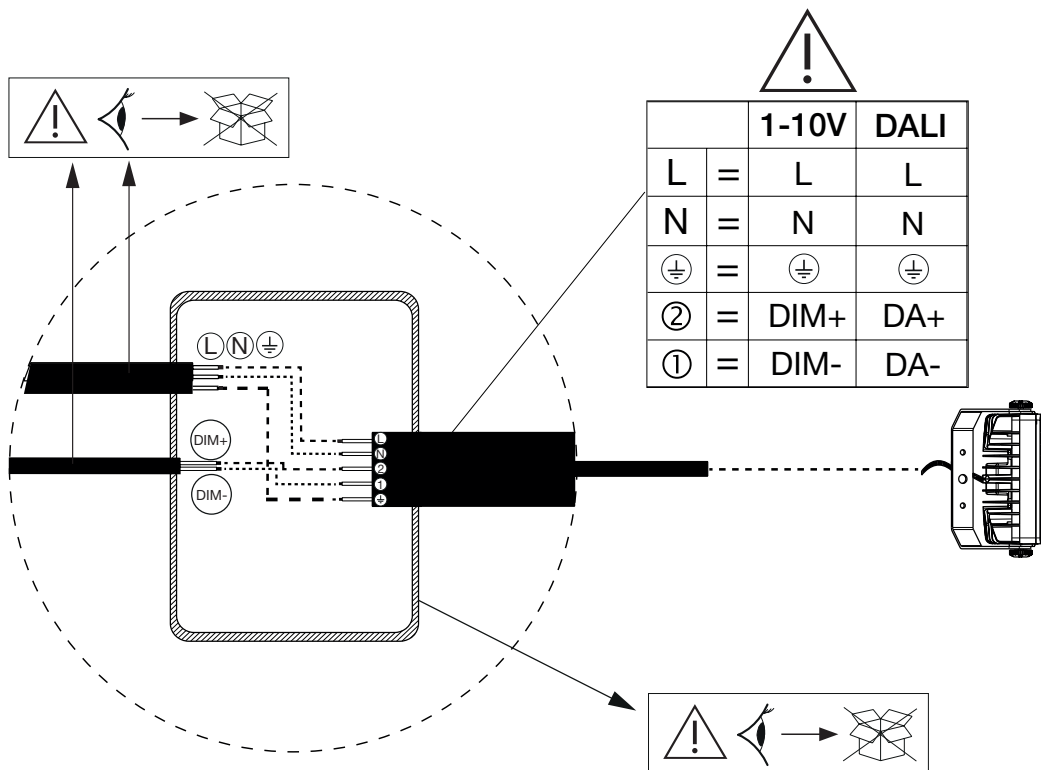
	I _{LED} (mA)	DIMMING	LED driver inrush current peak and width
LED	Max. 700	1-10V	41A / 440 μs
LED	Max. 700	1-10V	58A / 340 μs

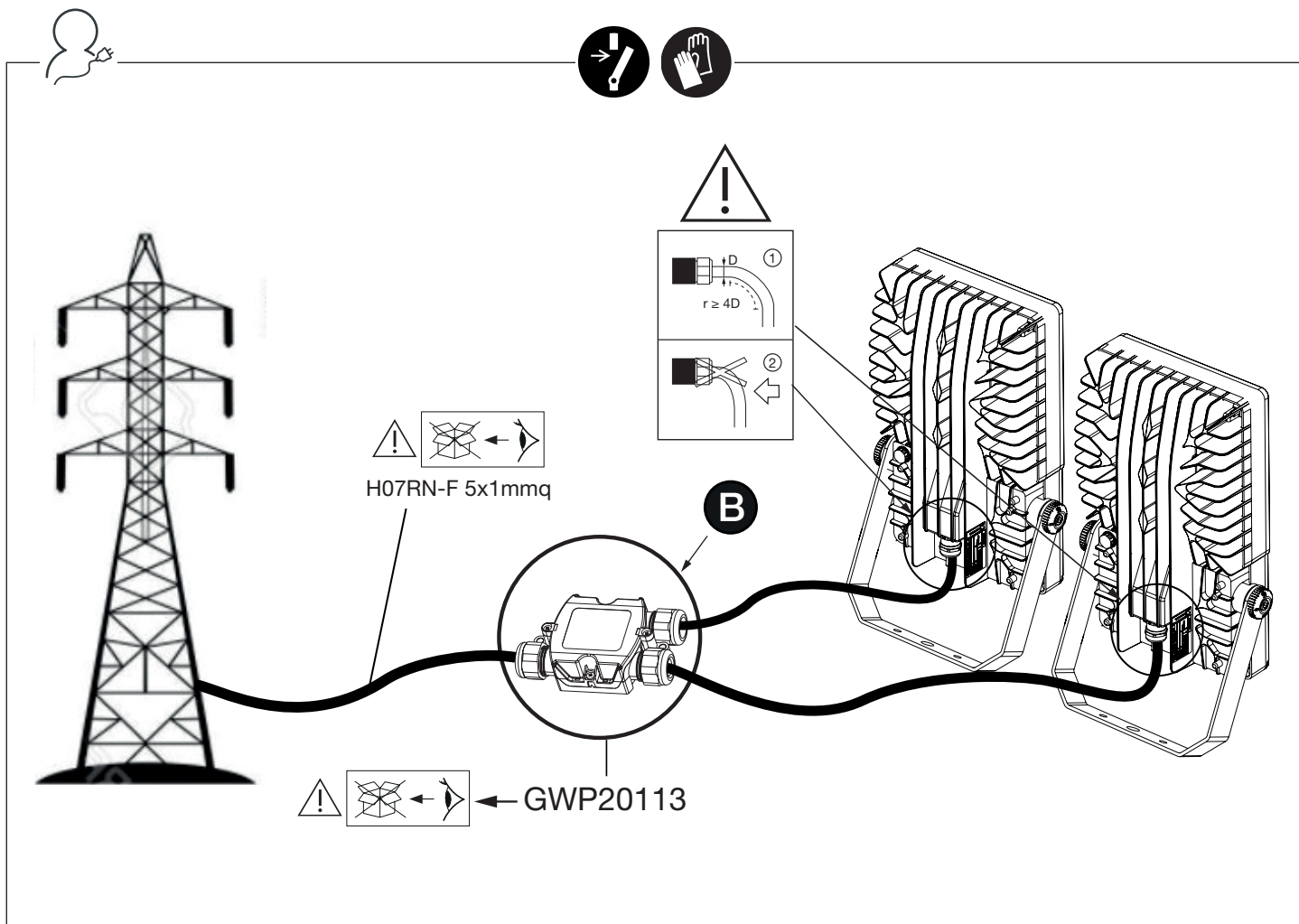


DIMMING 1-10V / DALI



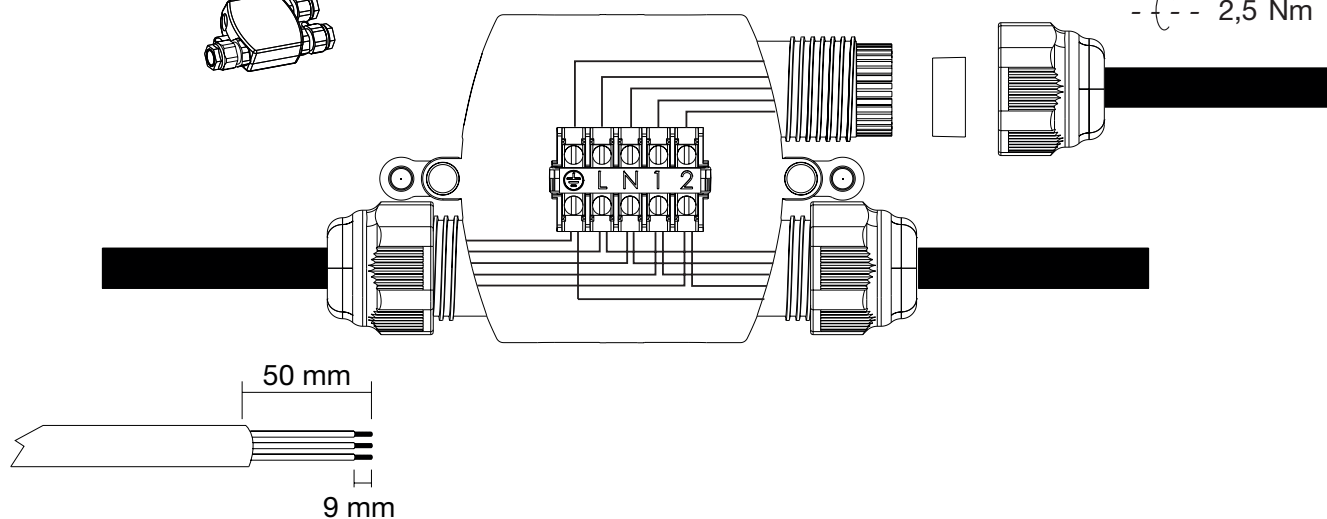
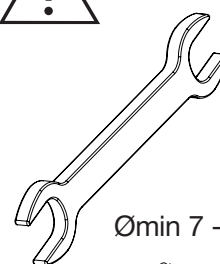
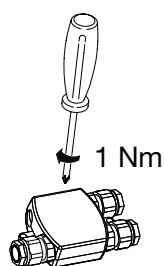
A

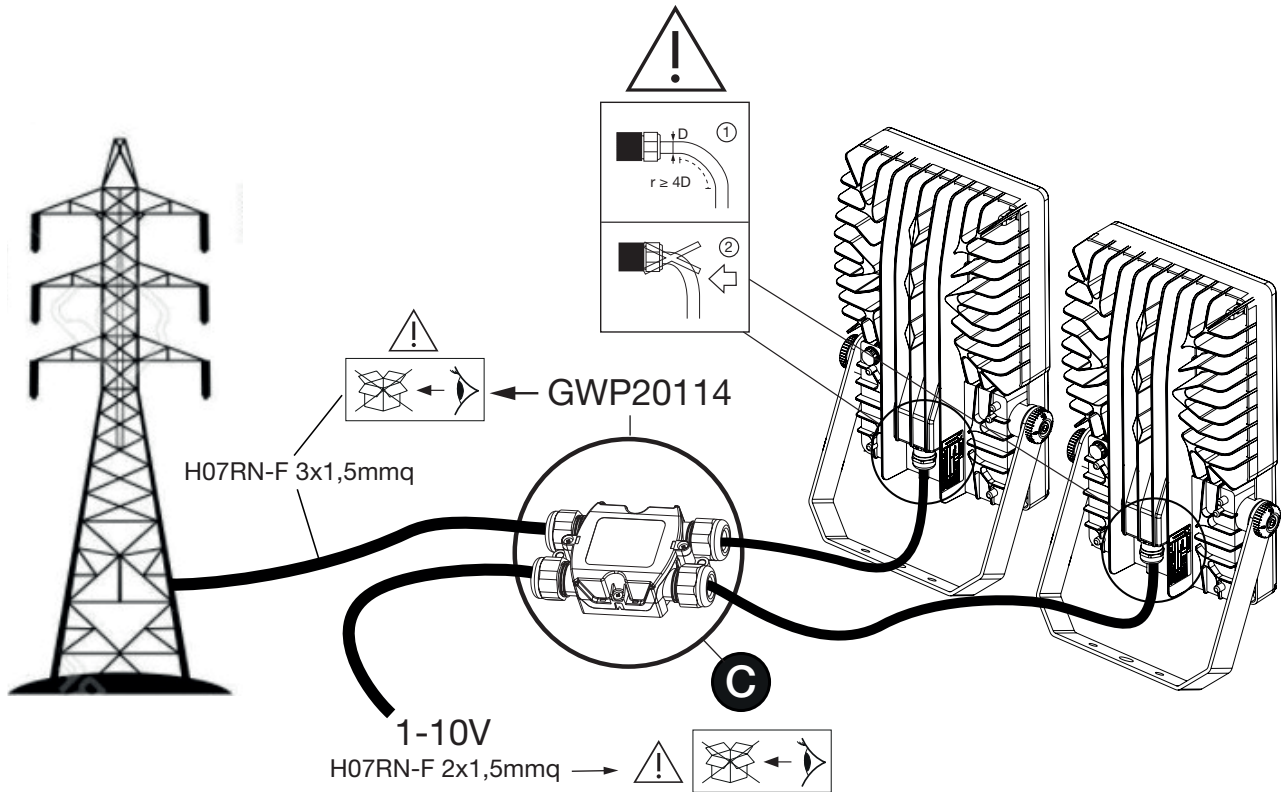




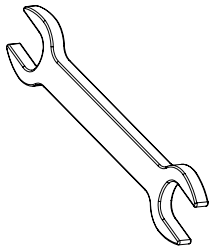
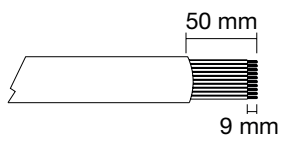
B GWP20113 →

		1-10V	DALI	
	L	=	L	L
	N	=	N	N
	⊕	=	⊕	⊕
	②	=	DIM+	DA+
	①	=	DIM-	DA-



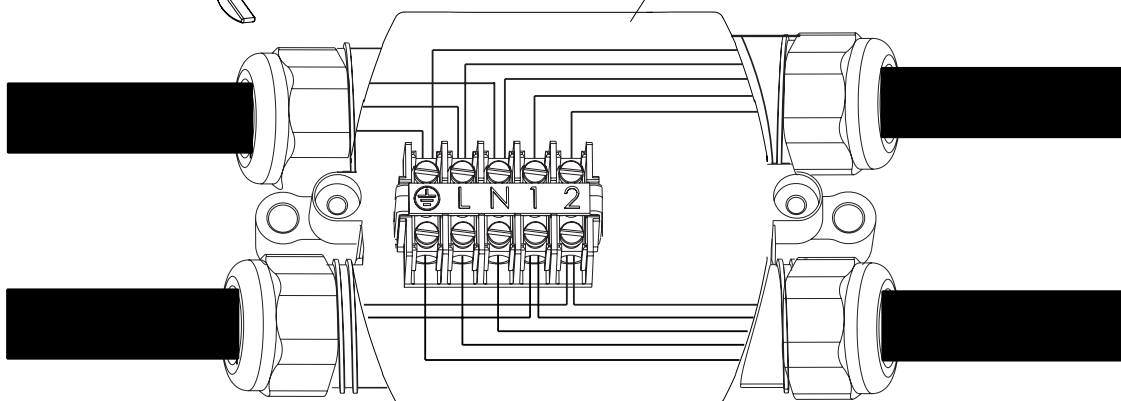
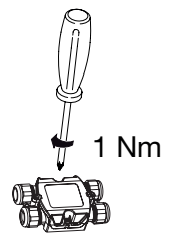


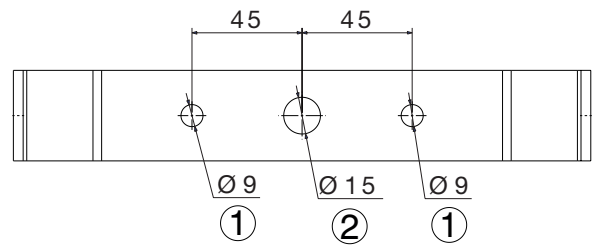
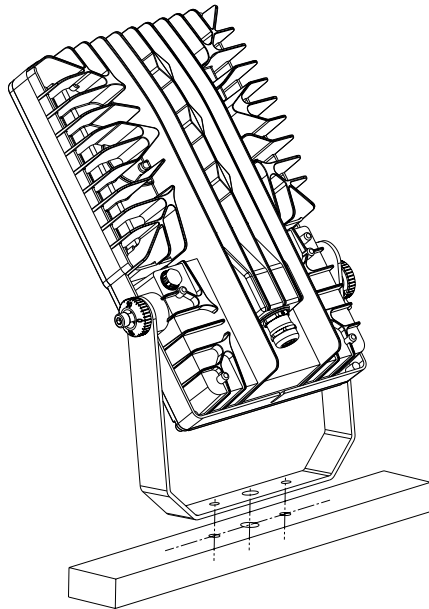
C GWP20114 →



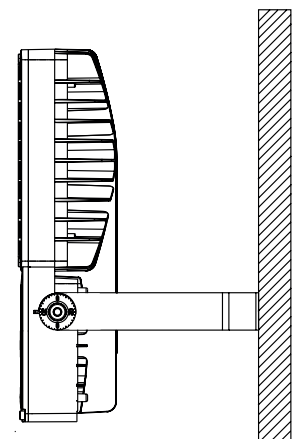
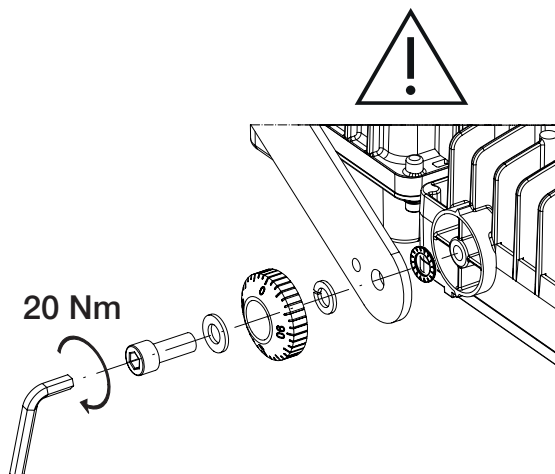
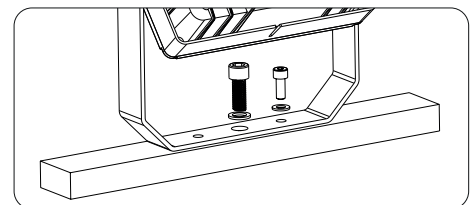
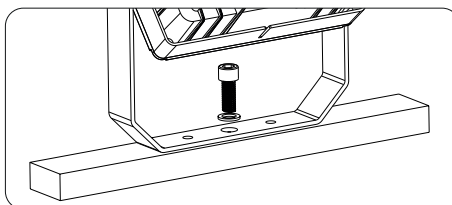
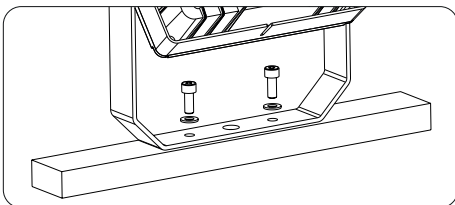
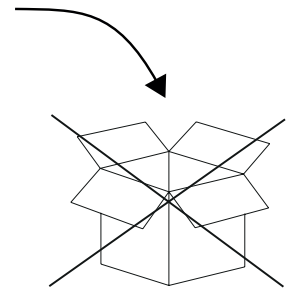
2,5 Nm
Ømin 7 - Ømax 13,5

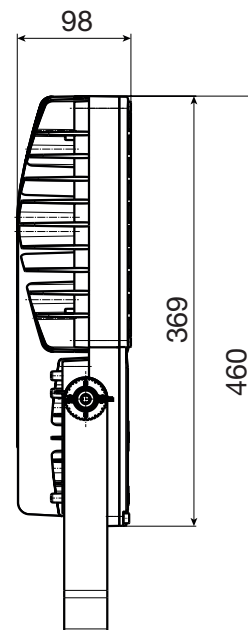
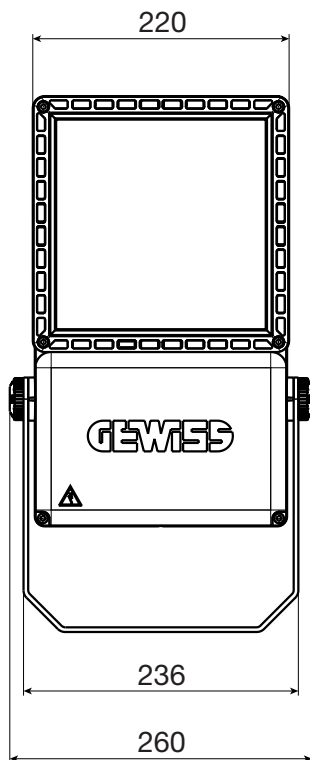
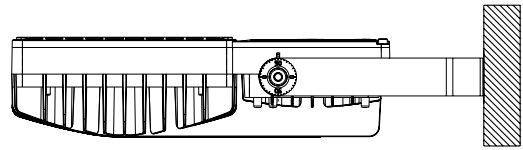
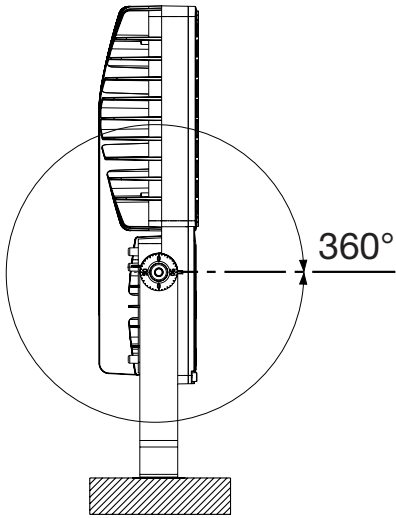
	1-10V	DALI	
	L = L	L	
	N = N	N	
	=		
②	= DIM+	DA+	
①	= DIM-	DA-	





- | | | |
|---|--|---------|
| ① | | M8 |
| | | DIN7980 |
| ② | | M14 |
| | | DIN7980 |



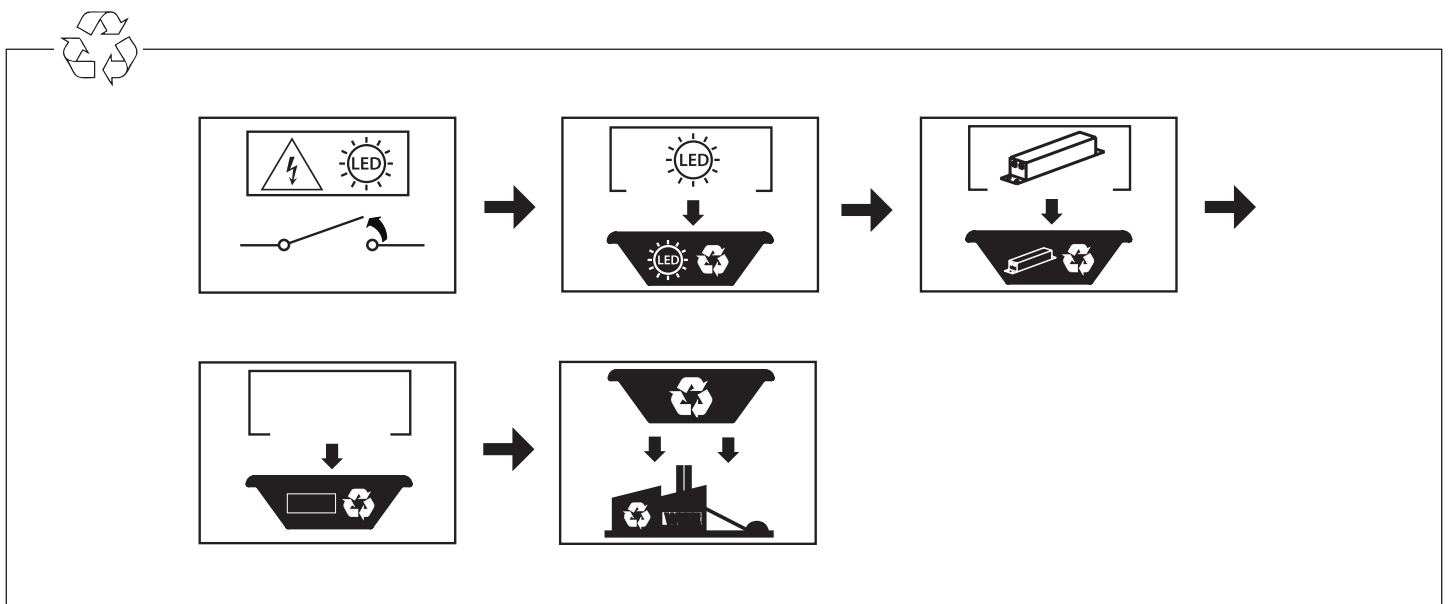


3 Nm

N°6

GEWISS

	OPTICS						
	S1	S2	C1	C2	C3	A1	A3
GWP2902	✓	✓	✓	✓	✓		
GWP20403						✓	✓



Punto di contatto indicato in adempimento ai fini delle direttive e regolamenti UE applicabili:
Contact details according to the relevant European Directives and Regulations:
GEWISS S.p.A. Via D.Bosatelli, 1 IT-24069 Cenate Sotto (BG) Italy tel: +39 035 946 111 E-mail: qualitymarks@gewiss.com

According to applicable UK regulations, the company responsible for placing the goods in UK market is:
GEWISS UK LTD - Unity House, Compass Point Business Park, 9 Stocks Bridge Way, ST IVES
Cambridgeshire, PE27 5JL, United Kingdom tel: +44 1954 712757 E-mail: gewiss-uk@gewiss.com



+39 035 946 111
8:30 - 12:30 / 14:00 - 18:00
lunedì - venerdì / monday - friday



www.gewiss.com

