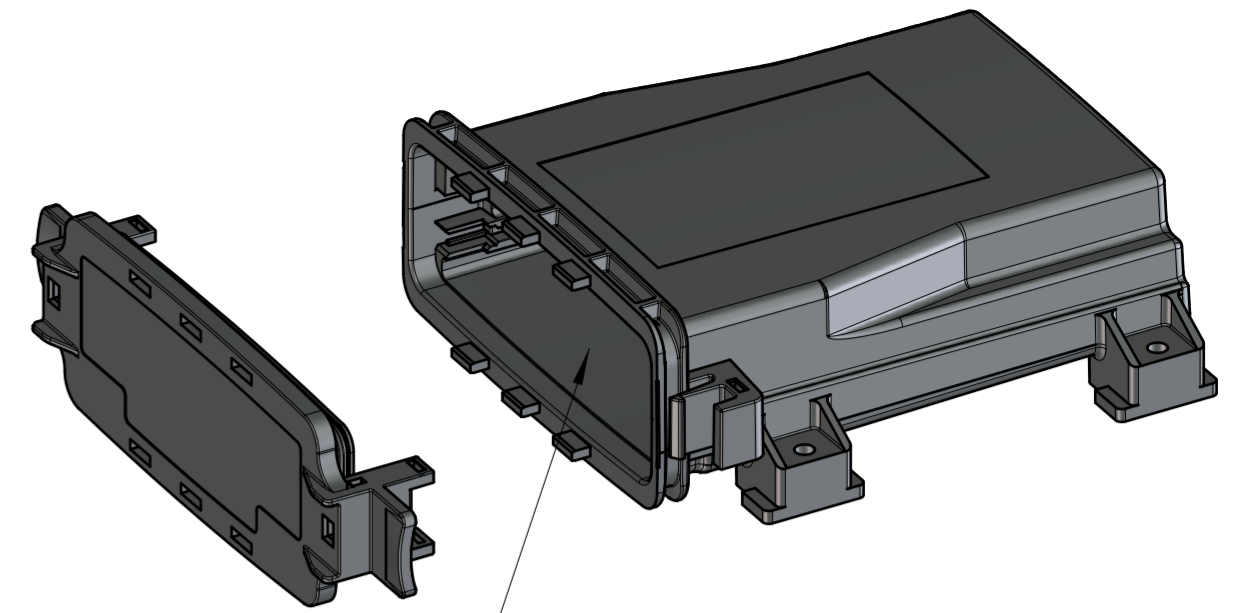
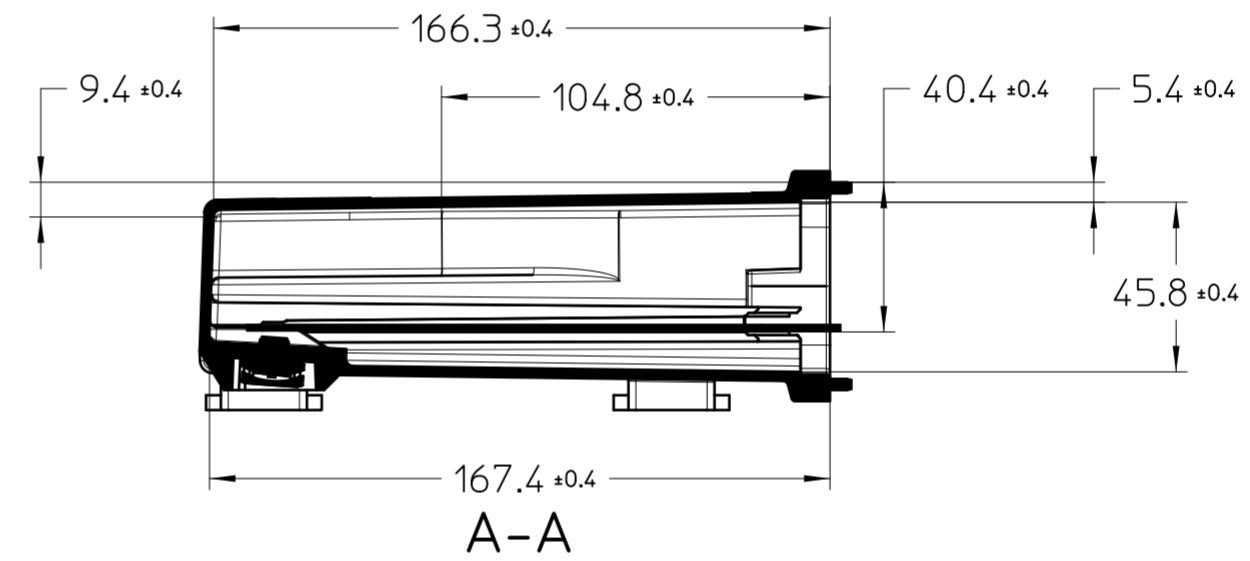
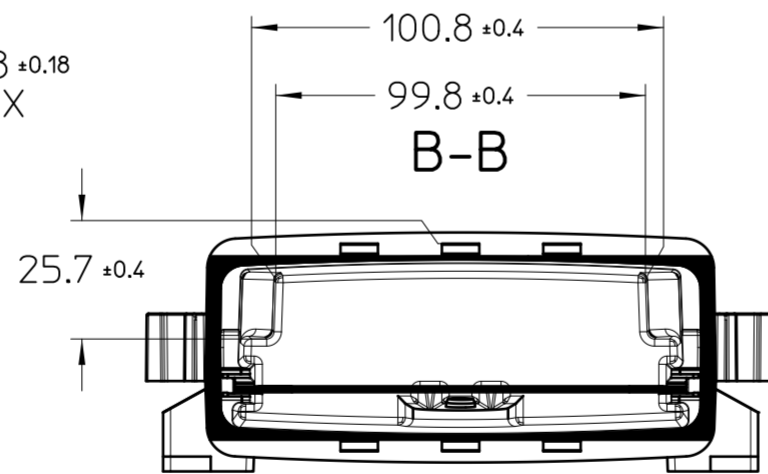
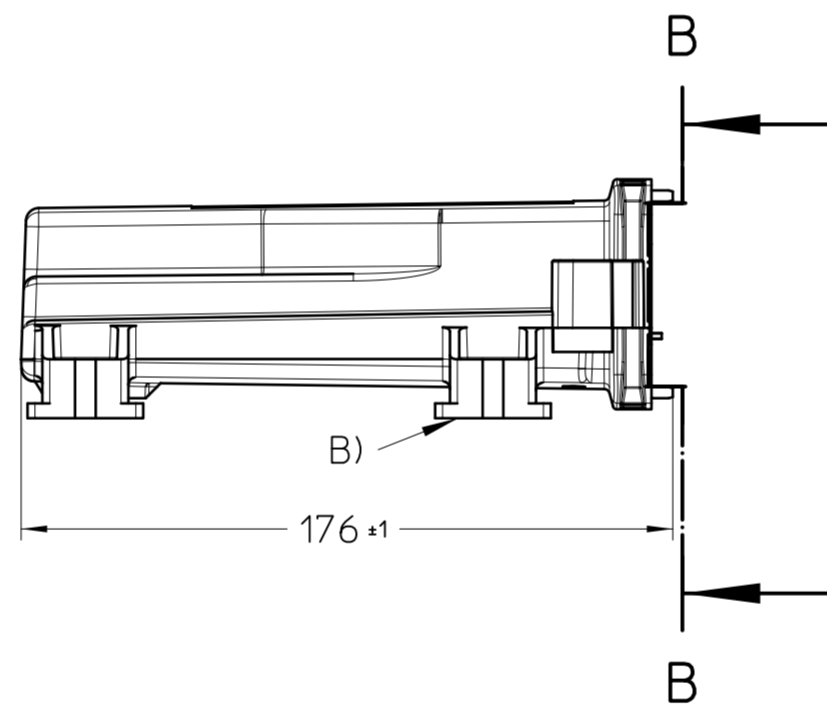
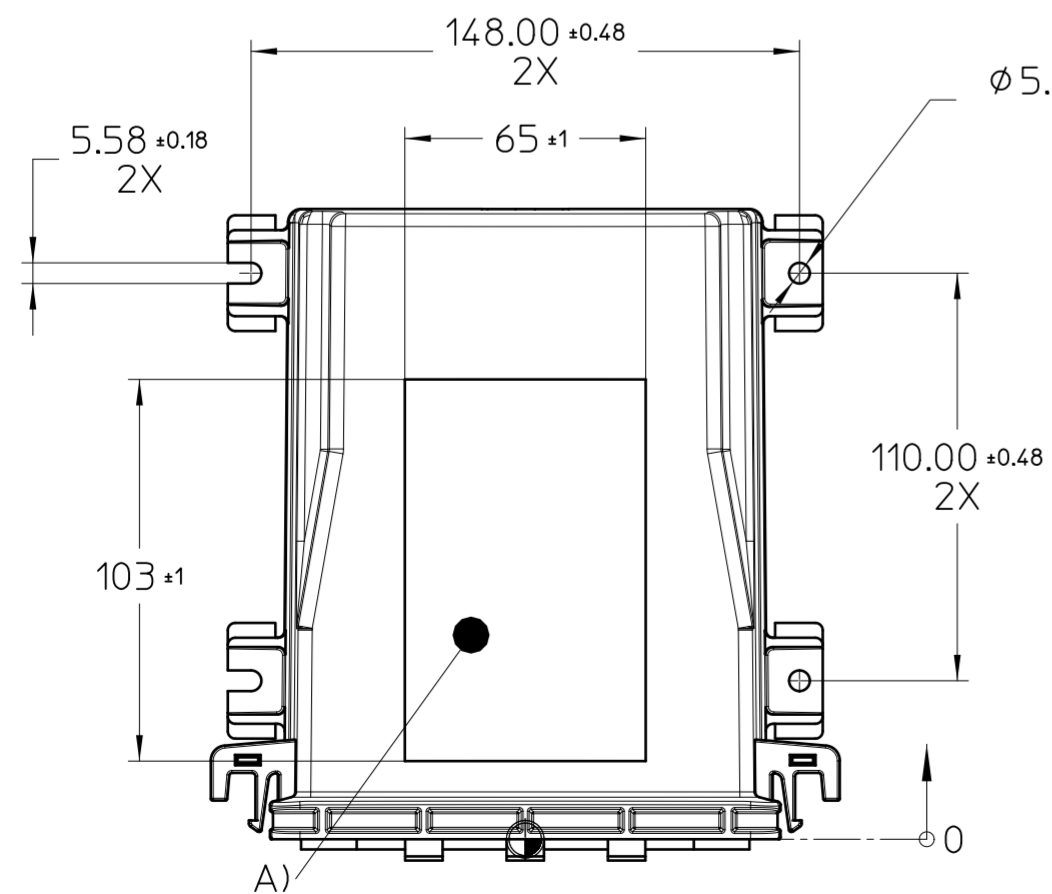
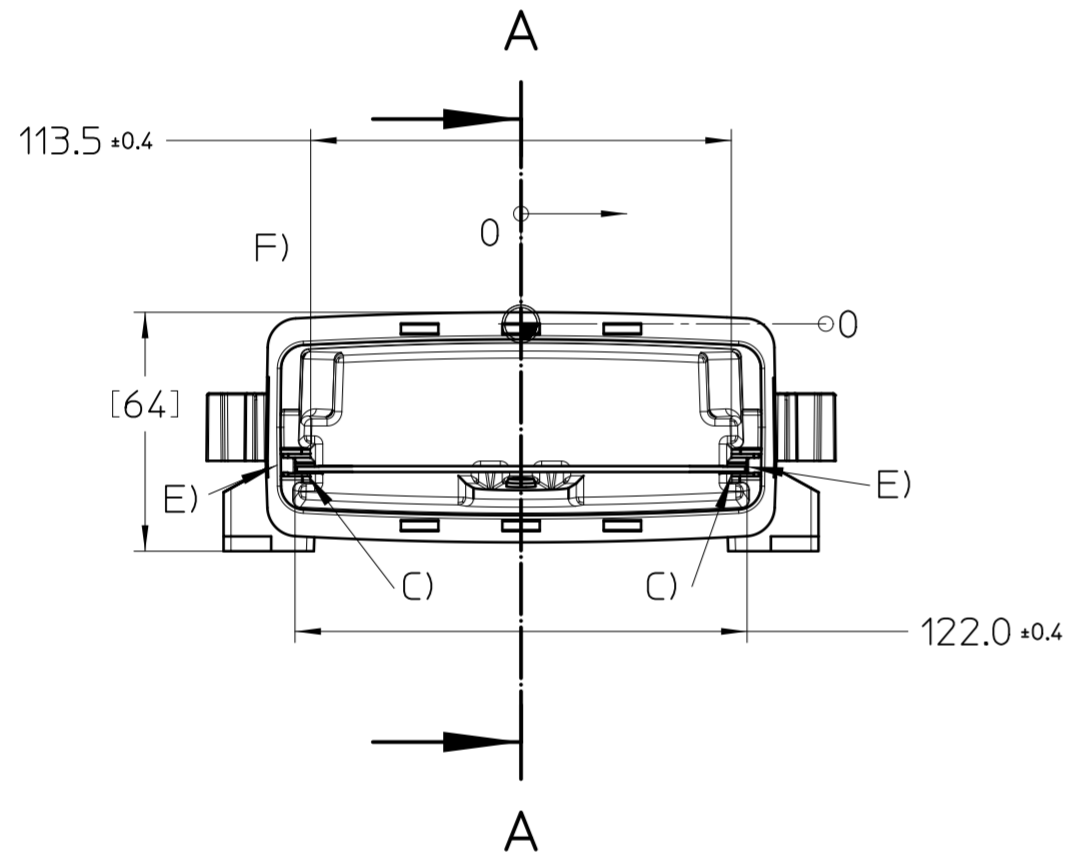
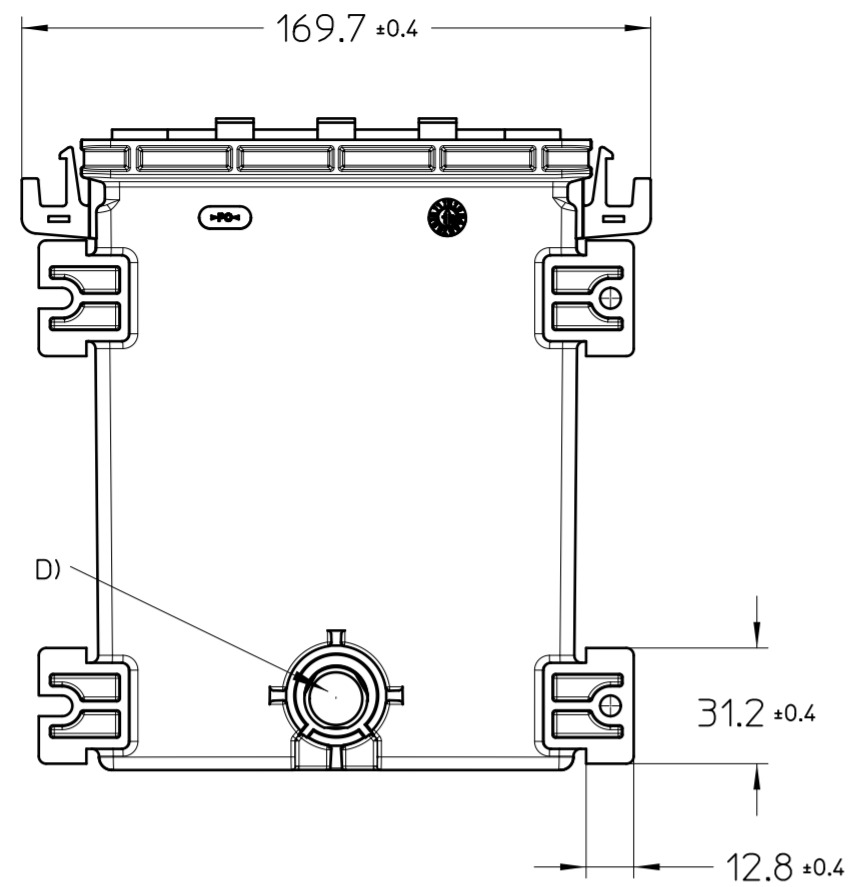


Transfer or duplication of this document as well as the utilisation or communication of its content are not permitted unless express consent is granted. Violations give rise to claims for damages. All rights reserved in case of patent, utility model or design patent registrations.

Weitergabe sowie Vervielfältigung dieses Dokuments, Verwertung und Mitteilung seines Inhalts sind verboten, soweit nicht ausdrücklich gestattet. Zuwiderhandlungen verpflichten zu Schadensersatz. Alle Rechte für den Fall der Patent-, Gebrauchsmuster- oder Designeintragung vorbehalten.



EX MARKING INSIDE

PHOENIX CONTACT PHOENIX CONTACT GmbH & Co. KG
 Flachmarktplatz 8, 32625 Bielefeld, Germany
 phoenixcontact.com

Outdoor Enclosure ECS-EX
 1292761
 ECS-EX 122X169-L-UV1-V V/C: 00

Ex II 2G Ex eb IIC Gb
 II 2D Ex tb IIIA Db
 II 3D Ex tc IIIB Dc

EPS 20 ATEX 1 235 U
 IECEx EPS 20.0015U

GENERAL INFORMATION:

- SIMPLIFIED REPRESENTATION
- DOCUMENT EXCLUDED FROM CHANGE PROCESS
- LINEAR DIMENSIONS (MM)
- WEB: WWW.PHOENIXCONTACT.COM

ADDITIONAL INFORMATION:

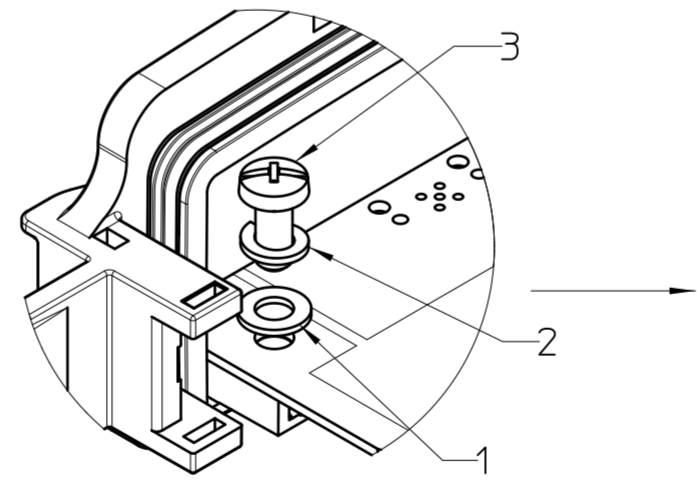
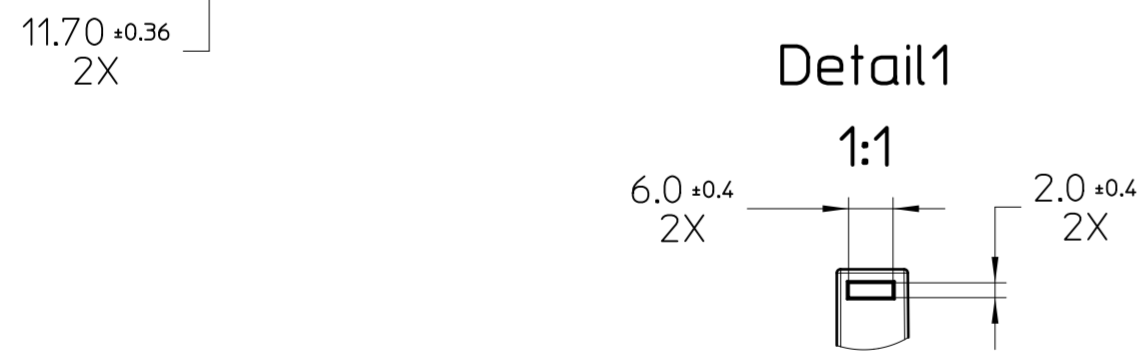
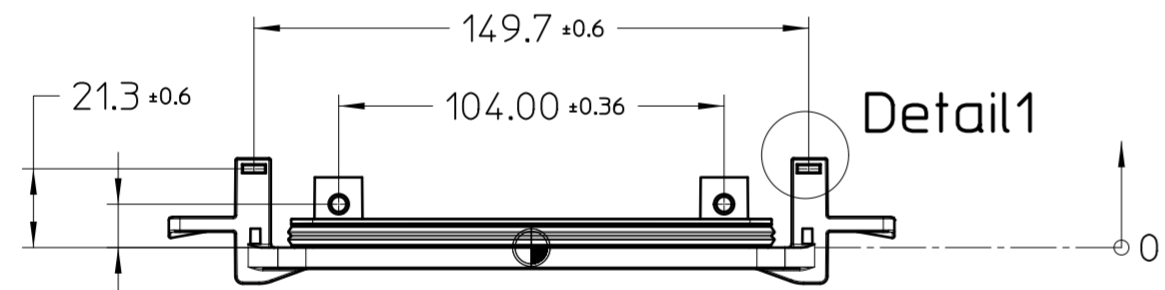
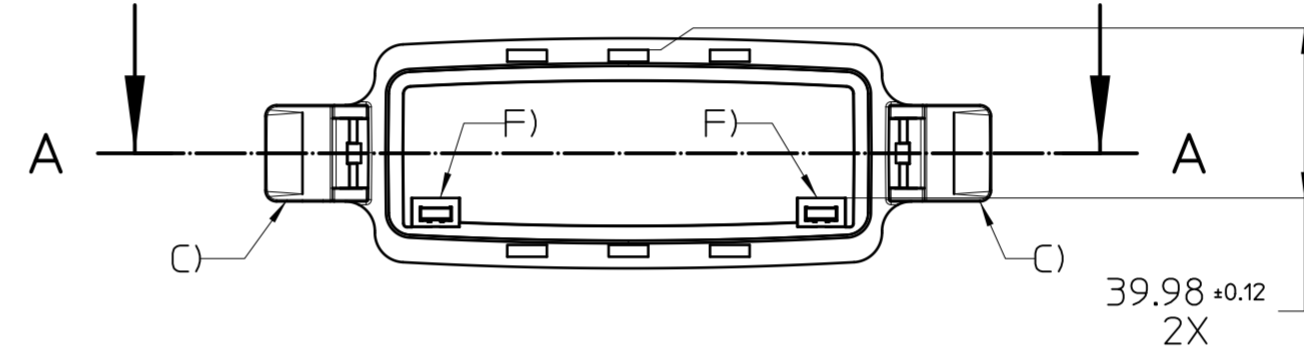
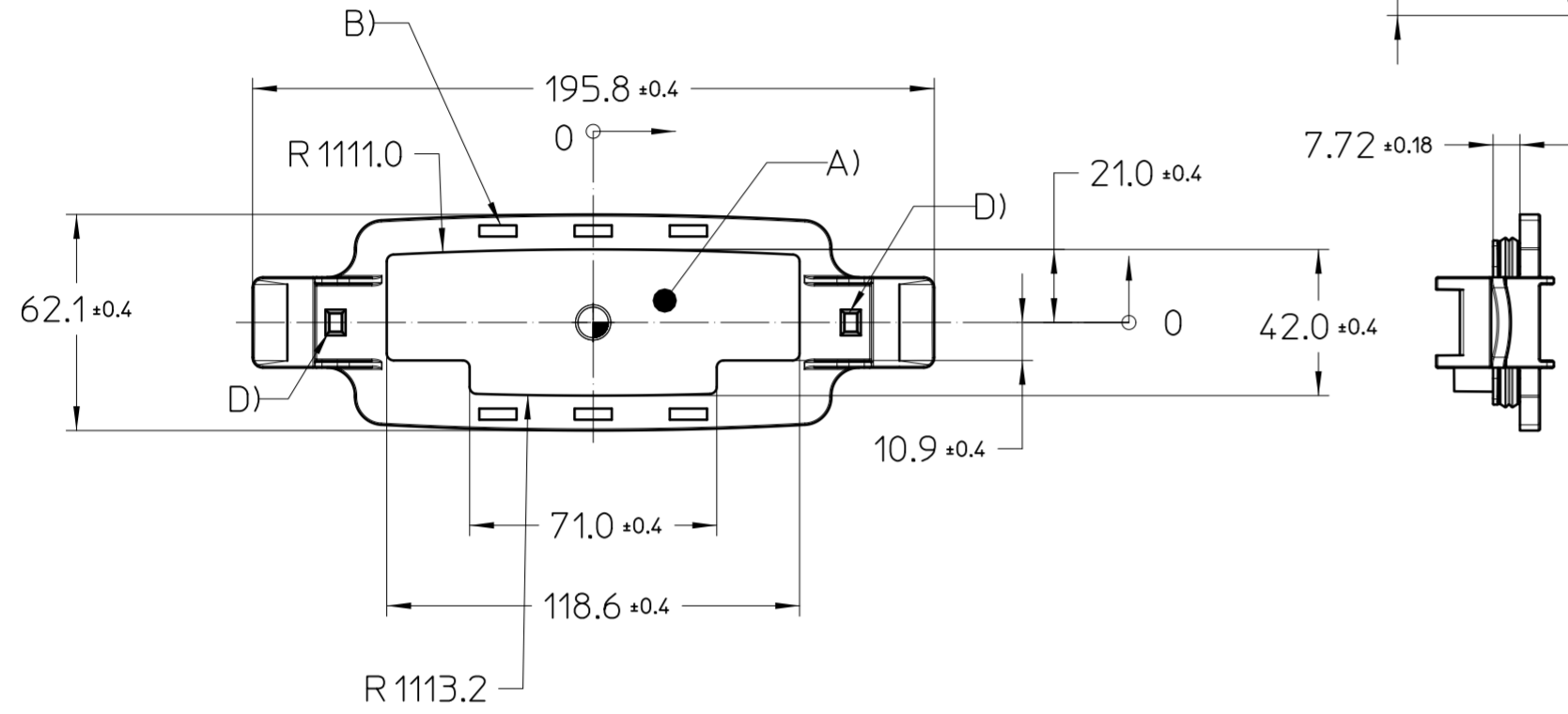
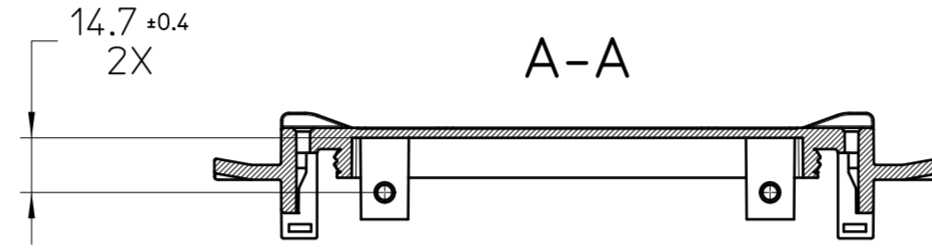
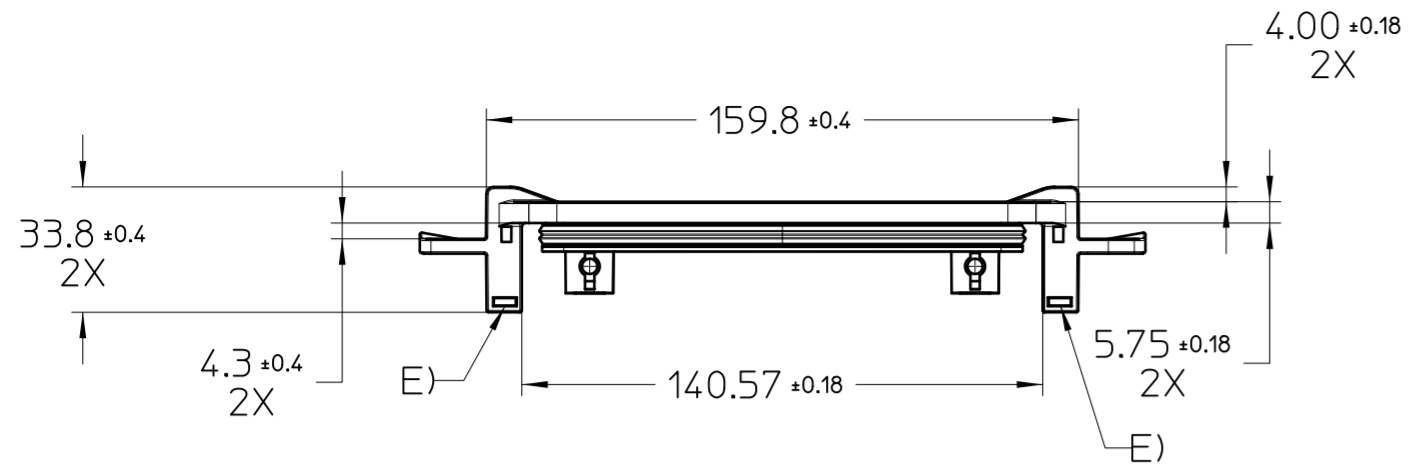
- A) LABEL AREA
- B) MOUNTING FEET W. FLANGES FOR ECS-PM
- C) PCB GUIDE (.062" AND .093" THICK PCB)
- D) INSTALLED BREATHABLE VENT
- E) MOUNTING AREA FOR ECS-BL
- F) PCB T=1.57 MM (.062") / T=2.36 MM (.093")

WORKPIECE ZERO POINT FOR MECHANICAL PROCESSING

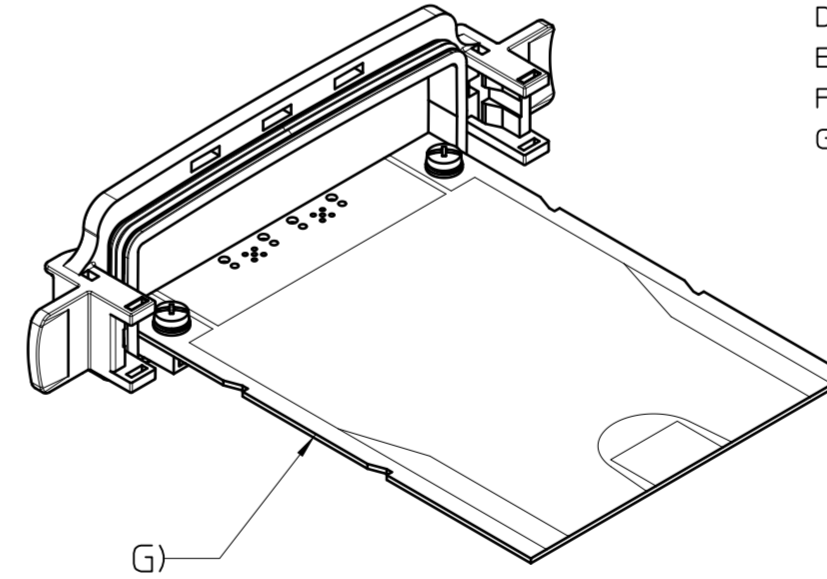
Pos.	QTY	description	material
1	1	ECS EX ENCLOSURE	PC
DIN A2		document-No. / RI 01375451 / 01	date 02.09.2021
1292761		document-type TECDOC 2D_Productdrawing	scale 1:2
page 1	of 2	ECS-EX 122X169-L-UV1-V	

Transfer or duplication of this document as well as the utilisation or communication of its content are not permitted unless express consent is granted. Violations give rise to claims for damages. All rights reserved in case of patent, utility model or design patent registrations.

Weitergabe sowie Vervielfältigung dieses Dokuments, Verwertung und Mitteilung seines Inhalts sind verboten, soweit nicht ausdrücklich gestattet. Zuwiderhandlungen verpflichten zu Schadensersatz. Alle Rechte für den Fall der Patent-, Gebrauchsmuster- oder Designeintragung vorbehalten.



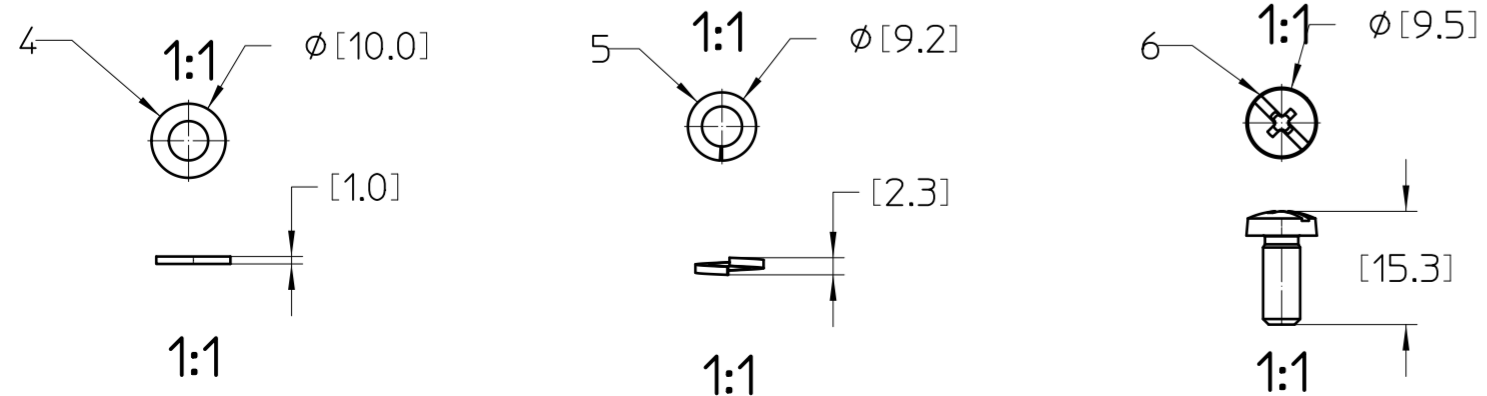
Partial1
1:1



GENERAL INFORMATION:
 - SIMPLIFIED REPRESENTATION
 - DOCUMENT EXCLUDED FROM CHANGE PROCESS
 - LINEAR DIMENSIONS (MM)
 - WEB: WWW.PHOENIXCONTACT.COM WEBCODE: #0857

ADDITIONAL INFORMATION:
 A) LABEL / MILLING / PRINT AREA
 B) ENCLOSURE ALIGNMENT LUG SLOTS (6X) FOR ECS-B-122X169-L...
 C) ERGONOMIC THUMB PAD FOR UNLATCHING
 D) TOOL INSERTION SLOT FOR UNLATCHING (MAX Ø3.5 MM SHAFT SIZE)
 E) TAMPER PROOF FEATURE
 F) PCB MOUNTING AREA
 G) CUSTOMER SUPPLIED PCB

WORKPIECE ZERO POINT FOR MECHANICAL PROCESSING



CUSTOMER ASSEMBLED COMPONENTS

Pos.	QTY	description	material
1	2	FLAT WASHER 5MM	Zn STL
2	2	SPLIT LOCK WASHER 5MM	Zn STL
3	2	PHILLIPS SCREW M5X12	Zn STL

DIN A2	document-No. / RI	date	scale
	01375451 / 01	02.09.2021	1:1
PHOENIX CONTACT	ident.-No.	document-type	
	1292761	TECDOC 2D_Productdrawing	
page 2 of 2	description ECS-EX 122X169-L-UV1-V		