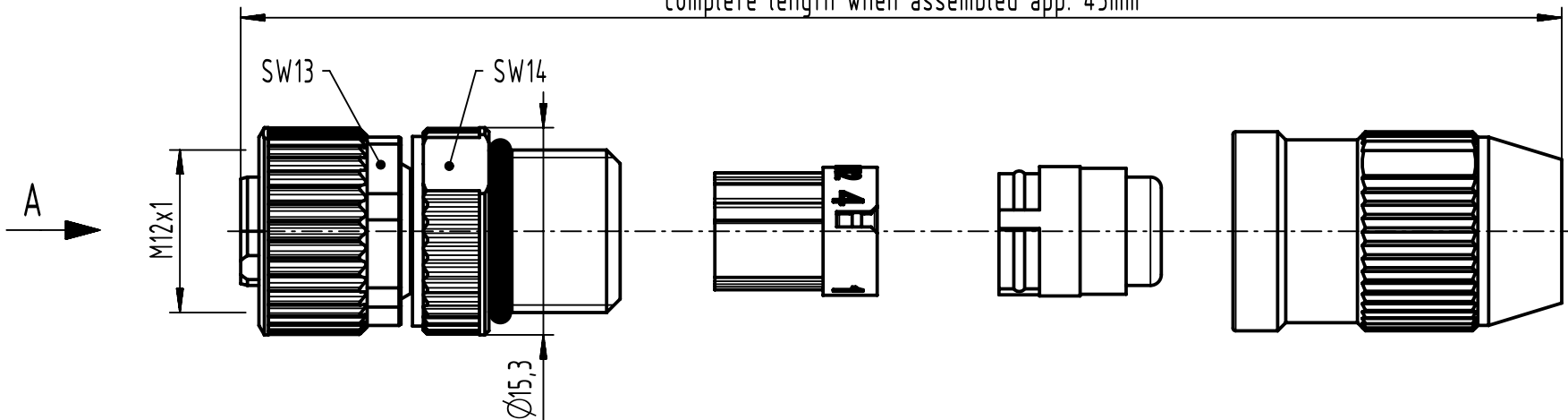
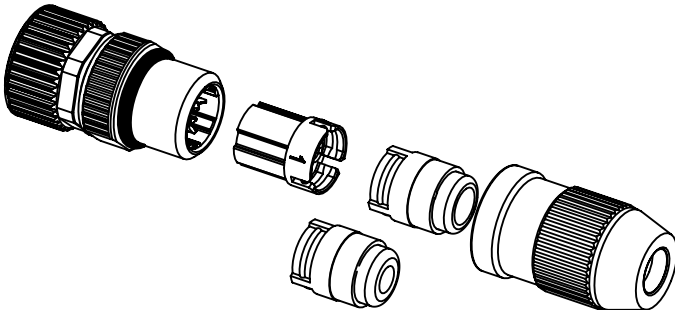
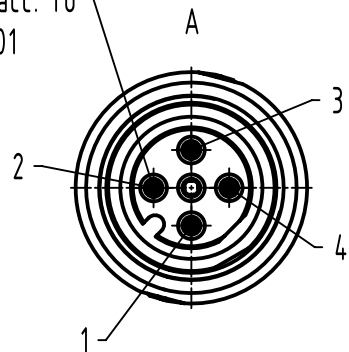


1 2 3 4 5 6

complete length when assembled app. 43mm



contact face acc. to IEC 61076-2-101



conductor cross section	0.14 - 0.34mm <sup>2</sup> AWG26 - AWG22
cable outside diameter	2.9 - 5.1mm

	All Dimensions in mm Original Size DIN A4	Scale	Free size tol.		Ref.
		2:1			Sub.
All rights reserved Department EL PD	Created by 105120	Inspected by	Standardisation	Date	State
		HASSEBROCKS		2023-07-10	Final Release
HARTING D-32339 Espelkamp	Title M12-S-CC-IDC-4P-ACOD-F-STR	Doc-Key / ECM-Nr. 100190976/UGD/011/A 500000249490			
		Type	Number	Rev.	Page
TB	21651112415	A	1/1		