

## Panel mounting appliance inlet - without closure cap

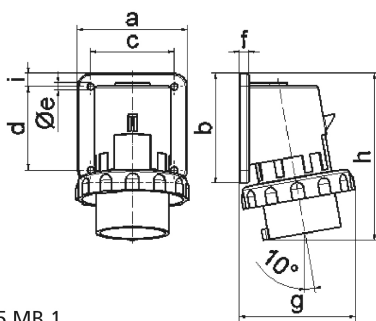


Product description	
BALS-Prd.-Nr	2601
EAN	4024941026017
Product category	Surface mounting appliance inlet
Current	32A
Number of poles	5p
Poles	3p+N+PE
Position of earth contact	6 h
Voltage	200/346 up to 240/415V
Frequency	50 and 60Hz

Product description	
Protection degree	IP67
Colour code	red RAL 3000
Colour of appliance	Collar red RAL 3000, Bayonet ring grey RAL 7035, Enclosure grey RAL 7035
Connection design	with screw terminal
Maximum conductor size	6,0 qmm
Cable entry	other
Height	139mm
Width	100mm
Depth	102mm
Flange size vertical	75mm
Flange size horizontal	90mm
Drill hole distance vertical	45mm
Drill hole distance horizontal	78mm
Material of enclosure	Polyamide
Contact	The contact carrier is made of polyamide, the contacts are brass nickel plated

Logistics data	
Weight/pcs	0.278 kg / Piece
Packaging	Bag
Content amount	1 ST
EAN	4024941026017

Logistics data	
Length	102 mm
Width	100 mm
Height	139 mm
Weight	0.279 kg
Volume	1,417.8 ccm
Packaging	Carton
Content amount	10 ST
EAN	4024941967709
Length	325 mm
Width	217 mm
Height	210 mm
Weight	2.986 kg
Volume	13,588.4 ccm



5 MB 1

Ampere	16	16	16	32	32	32
Polzahl	3	4	5	3	4	5
a	74,0	75,0	84,0	90,0	90,0	90,0
b	84,0	100,0	84,0	75,0	75,0	75,0
c	58,0	62,0	64,0	78,0	78,0	78,0
d	64,0	74,0	64,0	45,0	45,0	45,0
e ø	5,5	4,3	5,5	5,5	5,5	5,5
f	12,0	12,0	7,0	7,0	7,0	7,0
g	80,0	88,0	90,0	100,0	100,0	101,0
h	128,0	145,0	129,0	138,0	138,0	139,0
i	-	-	10,0	13,0	13,0	13,0
Leiter mm <sup>2</sup> min	1	1	1	2,5	2,5	2,5
Leiter mm <sup>2</sup> max	2,5	2,5	2,5	6	6	6