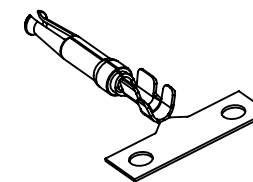
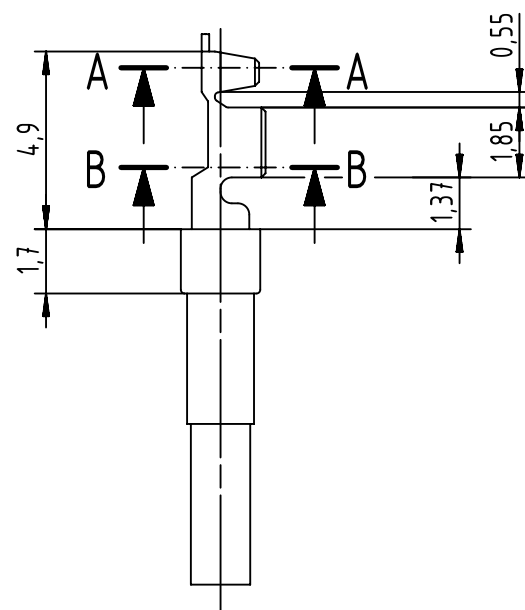
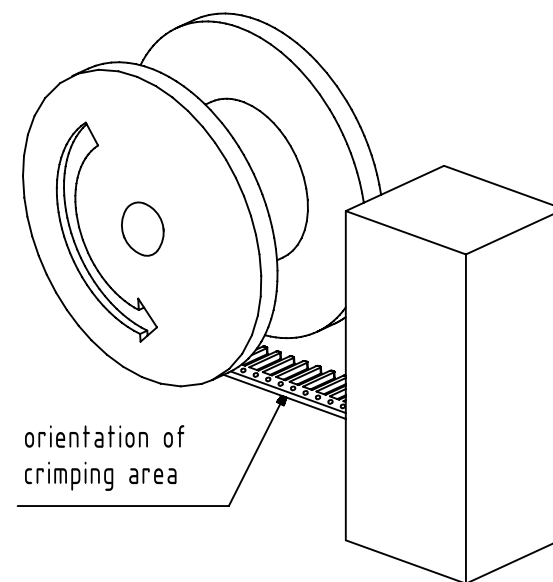


(2:1)



Reel unrolling left



Base material: brass

Plating: sliding contact selective plating over nickel  
nickel plated crimp area

Number of contacts per reel: 10000



All Dimensions in mm  
Original Size DIN A4

Scale  
5:1

Free size tol.

Ref.

Sub.



All rights reserved

Department EL PD

Created by  
ZHUANGJ

Inspected by  
ZENGD

Standardisation  
HOFFMANN

Date  
2020-06-30

State  
Approved

Title  
D-Sub stamped female AWG 20-24 crimp contact

Doc-Key / ECM-Nr.  
100607931/UGD/000/B  
500000174915

Type  
TB

Number  
0967000825X

Rev.  
B

Page  
1/1

D	09 67 000 8258	PL2	PdNi
	09 67 000 8257	PL3	Flash Gold
	09 67 000 8256	PL1	PdNi
	Part number	Performance level	Plating

HARTING Electronics GmbH  
D-32339 Espelkamp