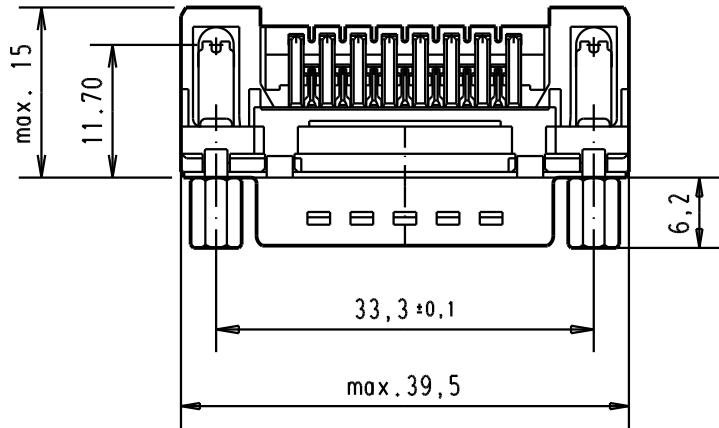
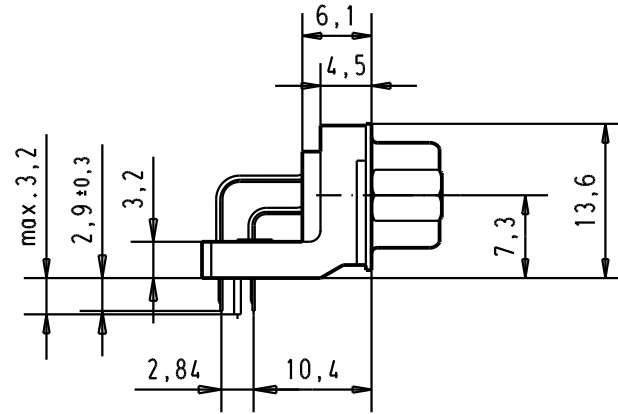
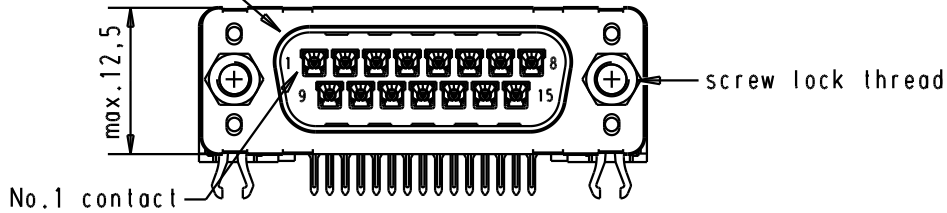
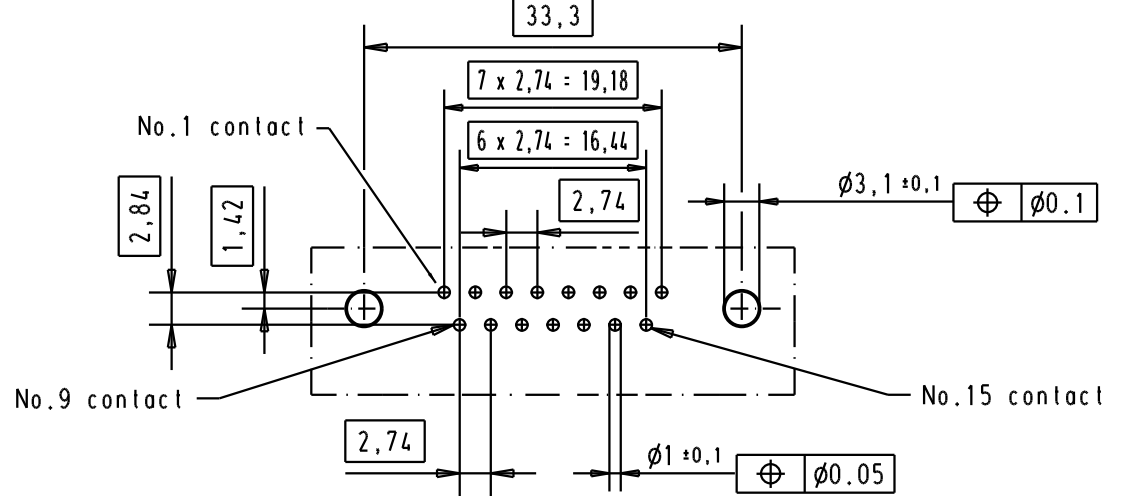


5 4 3 2 1

Mating face according to : MIL-C-24308 / DIN 41652 / CECC 75301-802



Printed board layout component side



Connector retention and insertion forces on the PCB = 25 / 80 newtons

A	09 65 267 3833	M3	1							<p>All Dim. in mm Orig. Size DIN A 4</p>	D-Sub, high temperature, male, standard, 15 poles, with solder pins 2.9, screw lock, and grounding board lock.	Maßstab/ Scale 1.5:1	
	09 65 267 6833	M3	2				Det.	04/09/02	YT				
	09 65 267 7833	M3	3				Insp.						
	09 65 267 3813	4-40 UNC	1				Stand.						
	09 65 267 6813	4-40 UNC	2		31892	22/04/04	JH	HARTING EUROL F-95972 Paris				TB 0965267x8x3	Blatt/ Page 1/
	09 65 267 7813	4-40 UNC	3		31084	04/09/02	YT						
	Part number	Screw lock thread	Performance level	Mod.	Dat.	Name					Sub.		