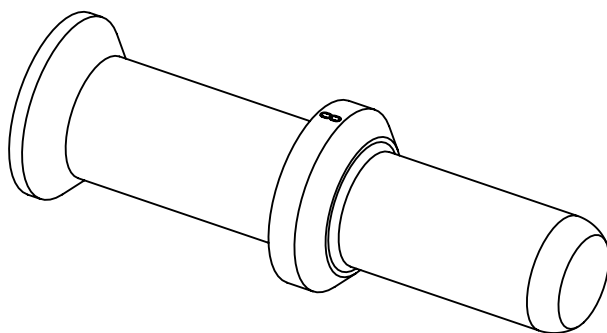


assembly notes see catalog  
 crimp zone acc. to DIN EN 46235, indicator 8  
 for stranded fine wire acc. to VDE 0295 class5/ IEC 60228 class 5  
 wire gauge: 16mm<sup>2</sup>  
 stripping length: 19mm



	All Dimensions in mm Original Size DIN A4		Scale 2:1	Free size tol.		Ref.
						Sub.
	All rights reserved		Created by HELLMANN	Inspected by RIEPE	Standardisation	Date 2023-05-11
	Department EL PD					State Final Release
HARTING			Title Han TC100 male contact 16mm <sup>2</sup>			Doc-Key / ECM-Nr. 100215702/UGD/003/D 500000243486
D-32339 Espelkamp			Type TB	Number 09 11 000 6116		Rev. <b>D</b> Page 1/1