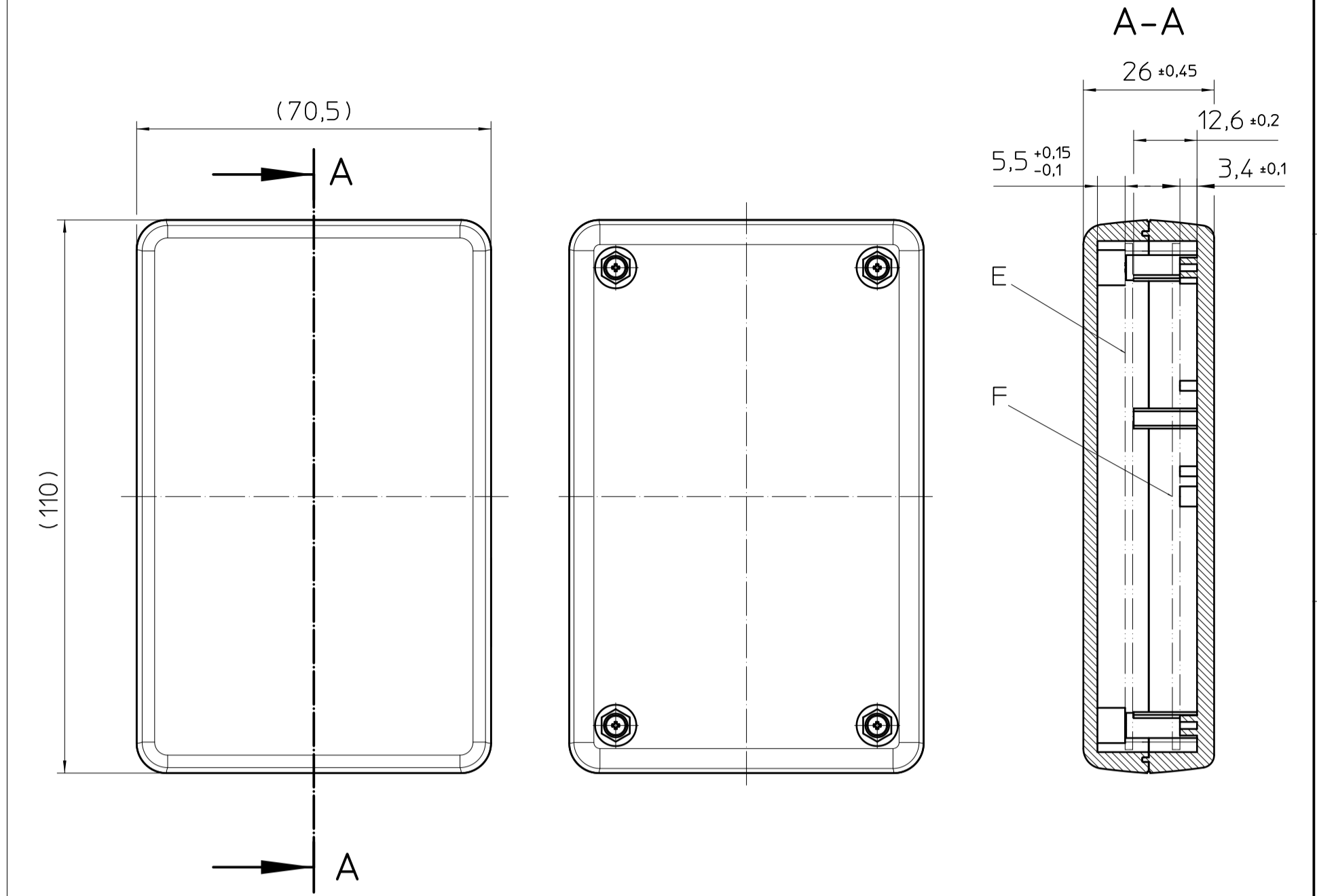
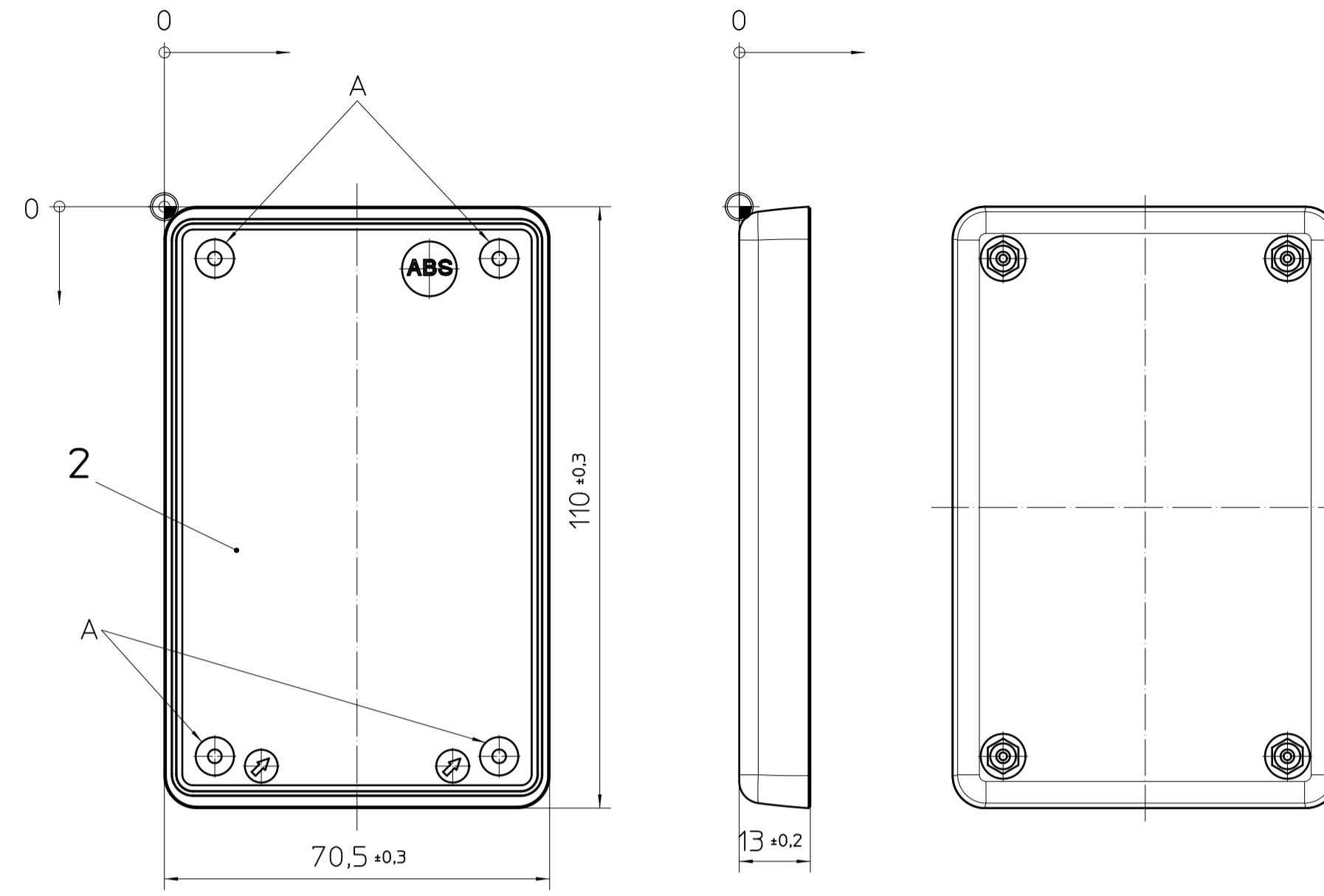
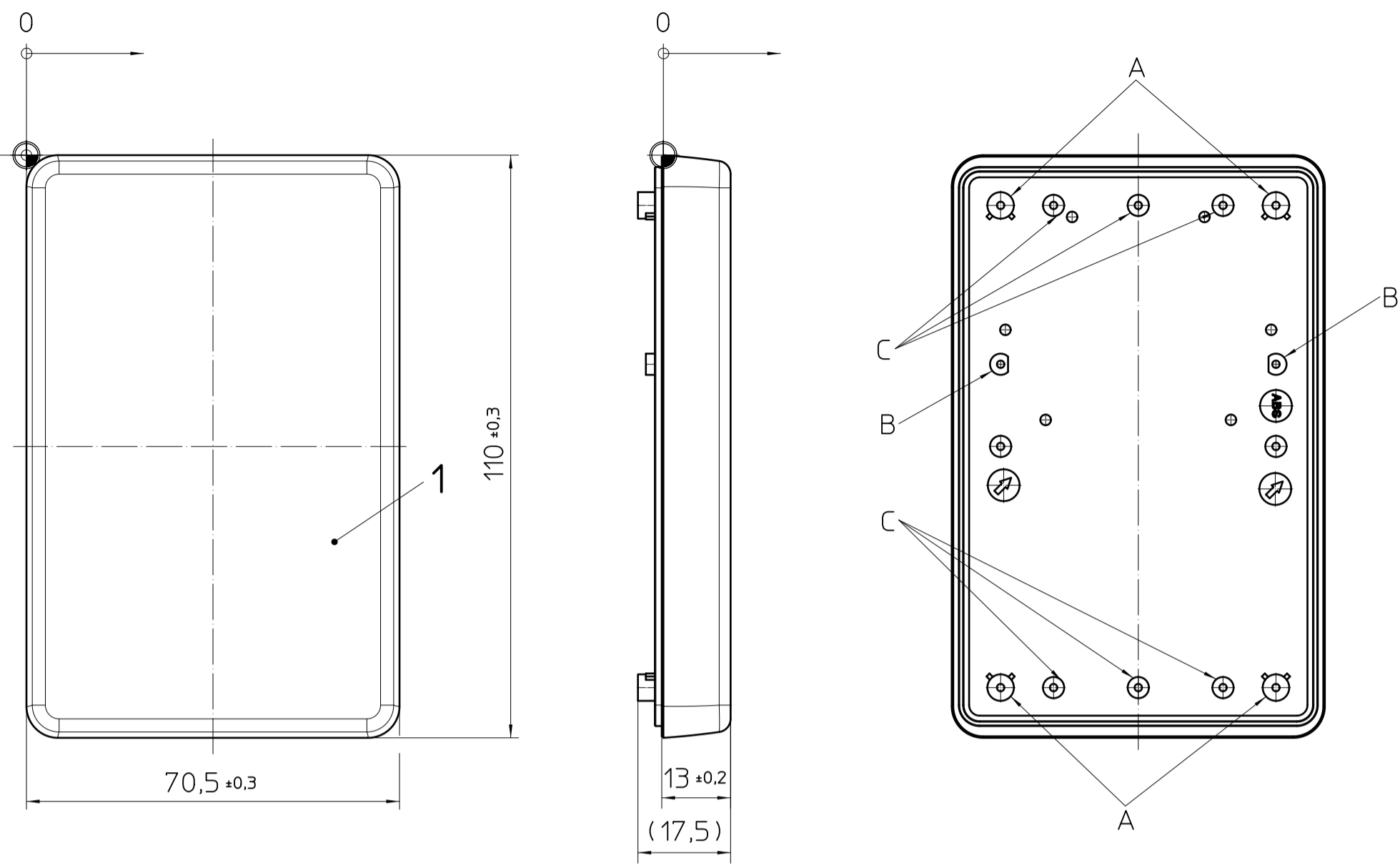


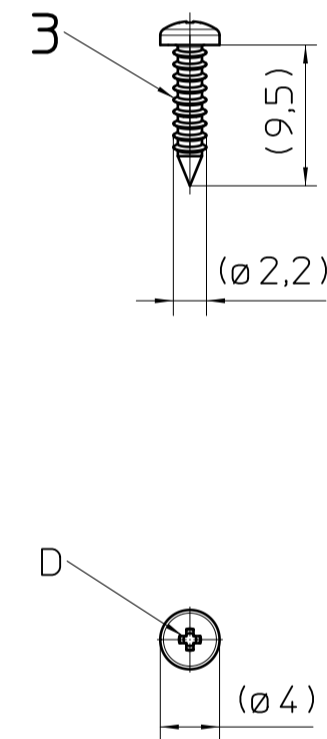
HOUSING FRONT

HOUSING REAR

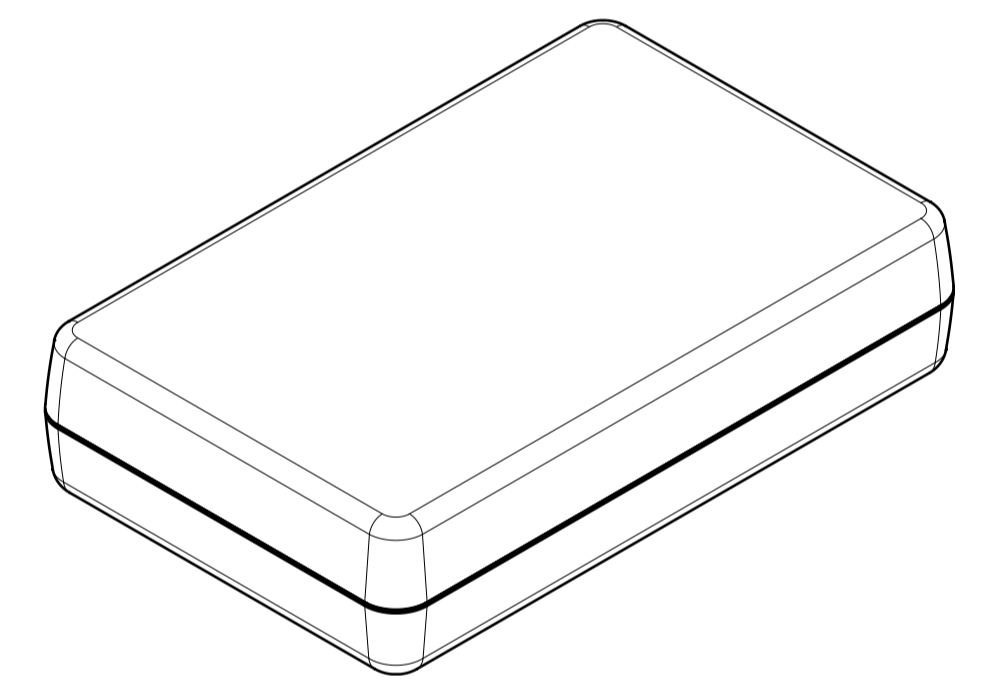
Assembly example HCS-C MINI C C C C



HOUSING SCREW
2:1



height
width
depth



Transfer or duplication of this document as well as the utilisation or communication of its content is not permitted unless express consent is given by Phoenix Contact. All rights reserved. In case of patent, utility model or design patent registrations, the respective rights are reserved.

Weitergabe sowie Vervielfältigung dieses Dokuments, Verwertung und Mitteilung seines Inhalts sind verboten, soweit nicht ausdrücklich gestattet. Alle Rechte vorbehalten. In case of patent, utility model or design patent registrations, the respective rights are reserved.

- General Information:
- Simplified representation
 - Document excluded from change process
 - Linear dimensions [mm]
 - Tolerances apply in a normal climate according to DIN EN ISO 291-23/50-2
 - Further information: www.phoenixcontact.com
 - webcode: #0855

- Additional Information:
- Minimum radii for mechanical processing R=1,2
- ☉ = workpiece zero point for mechanical processing

- A. Screw domes for housing screws
- B. Additional attachment point for main PCB with self tapping screws $\varnothing 1,8 \times 10$ (screws not included)
- C. Attachment point for second PCB with self tapping screws $\varnothing 1,8 \times 4,5$ (screws not included)
- D. Phillips recessed head PH 1
- E. PCB main position (t=1,5)
- F. PCB second position (t=1,5)

KIT

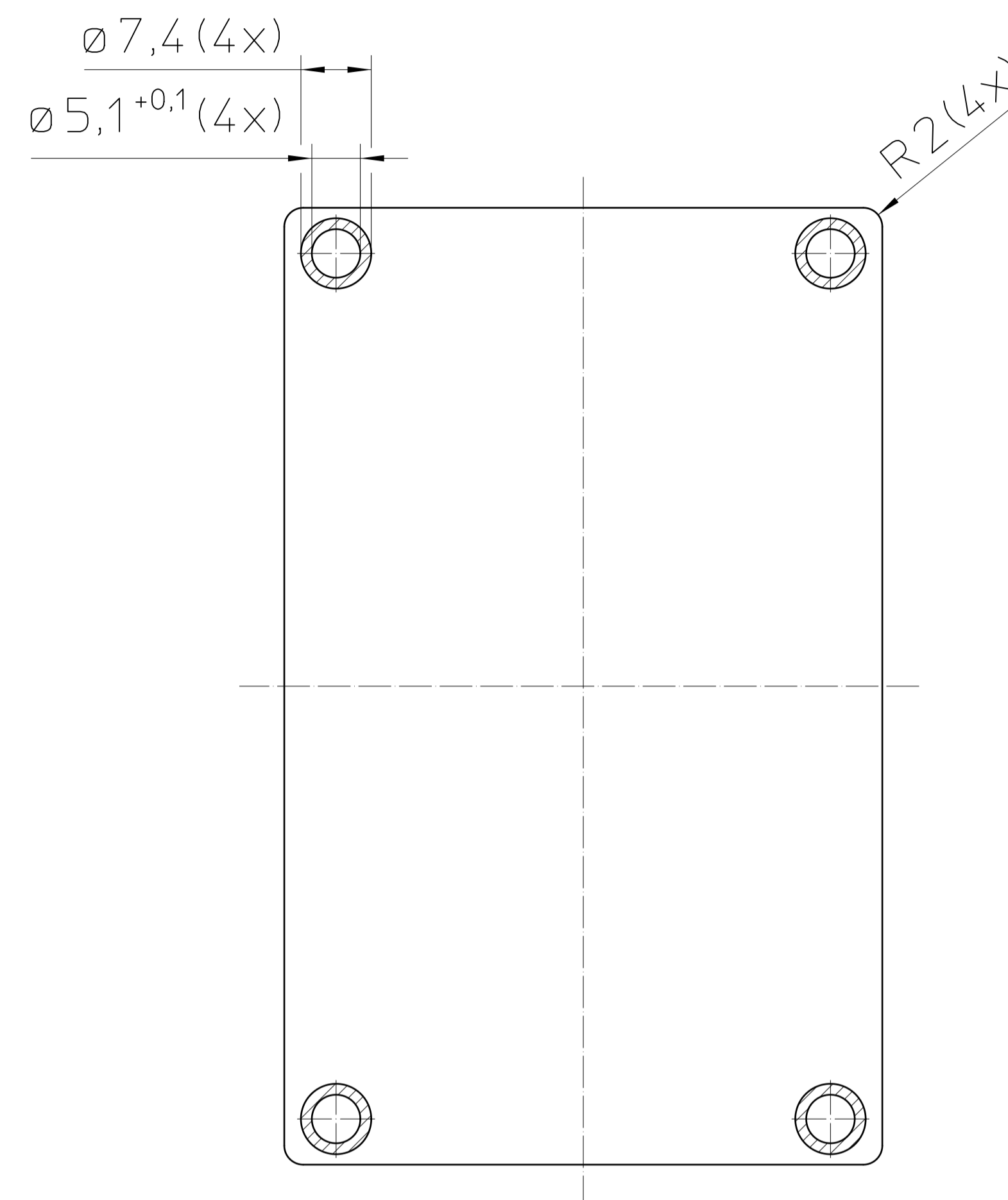
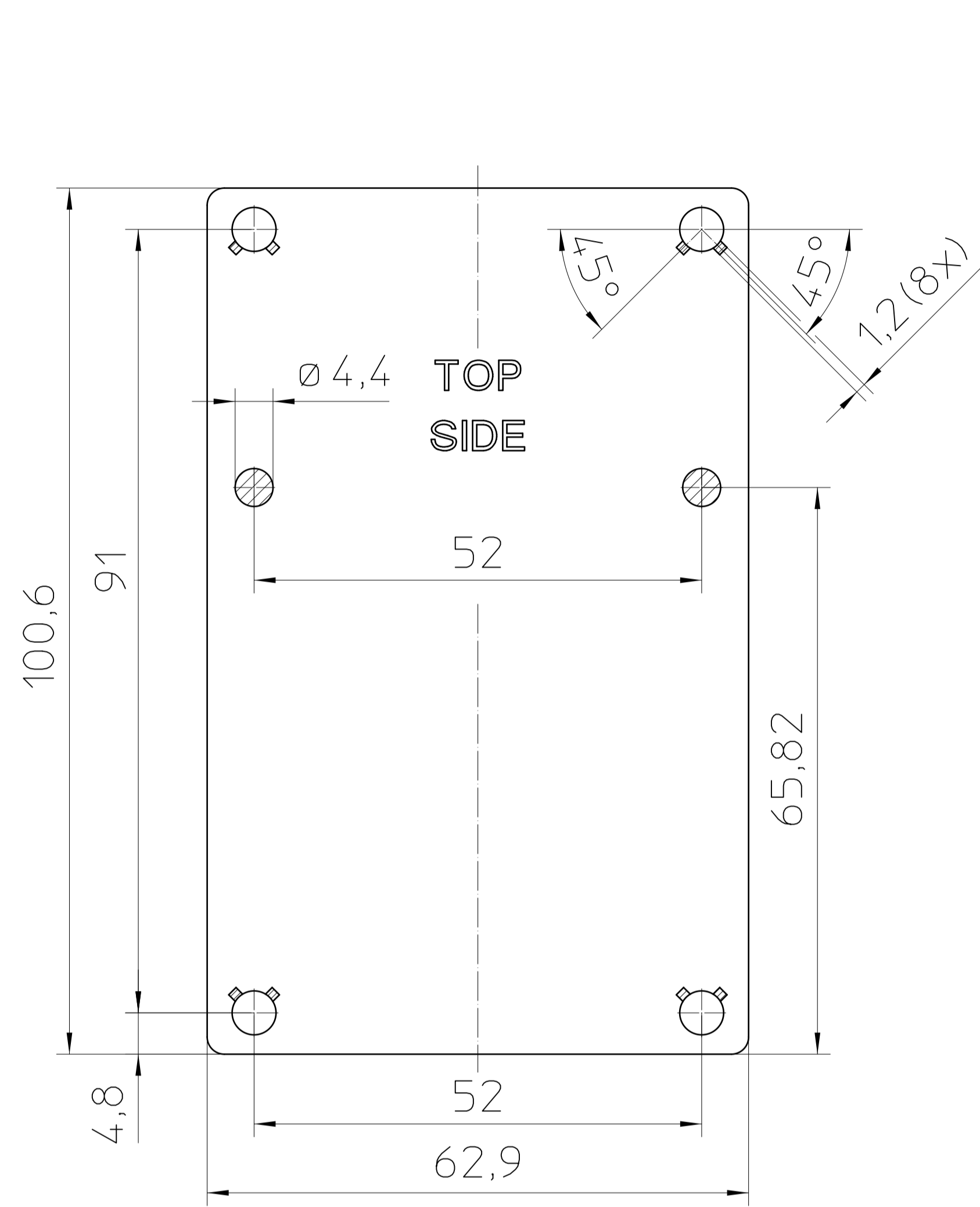
Pos.	QTY	Description
1	1	HOUSING FRONT (ABS)
2	1	HOUSING REAR (ABS)
3	4	SCREW ISO 7049-ST2.2X9,5-C-H

DIN A1	document-No. / Ri 00966876 / 02	date 06.10.2017	scale 1:1
PHOENIX CONTACT	ident.-No. 2203146	document-type TECDOC 2D_Productdrawing	
page 1	of 3	description HCS-C MINI C C C C 7035	

Transfer or duplication of this document as well as the utilisation or communication of its content are not permitted unless express consent is granted. Violations give rise to claims for damages. All rights reserved in case of patent, utility model or design patent registrations.

Weitergabe sowie Vervielfältigung dieses Dokuments, Verwertung und Mitteilung seines Inhalts sind verboten, soweit nicht ausdrücklich gestattet. Zuwiderhandlungen verpflichten zu Schadensersatz. Alle Rechte für den Fall der Patent-, Gebrauchsmuster- oder Designeintragung vorbehalten.

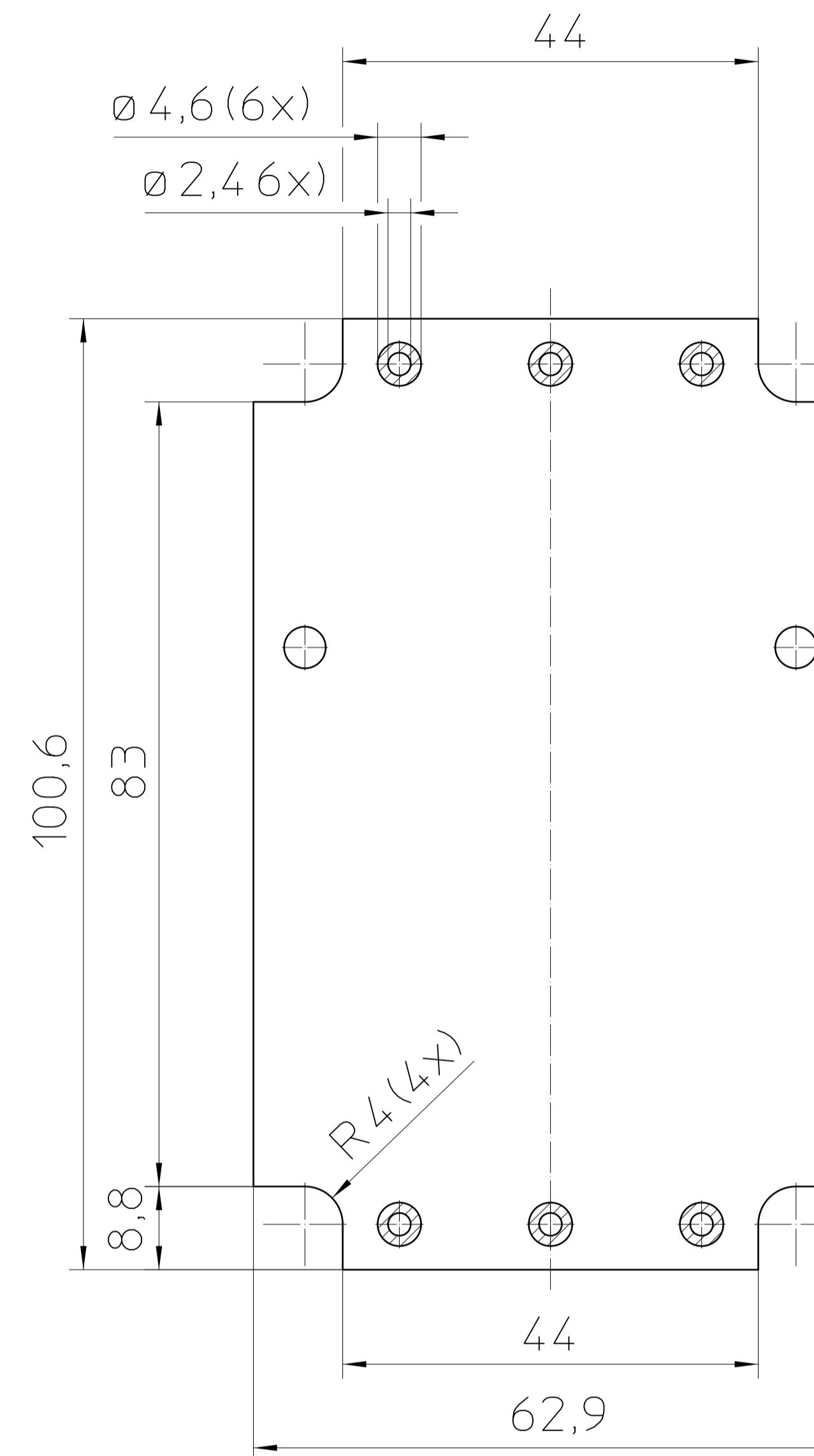
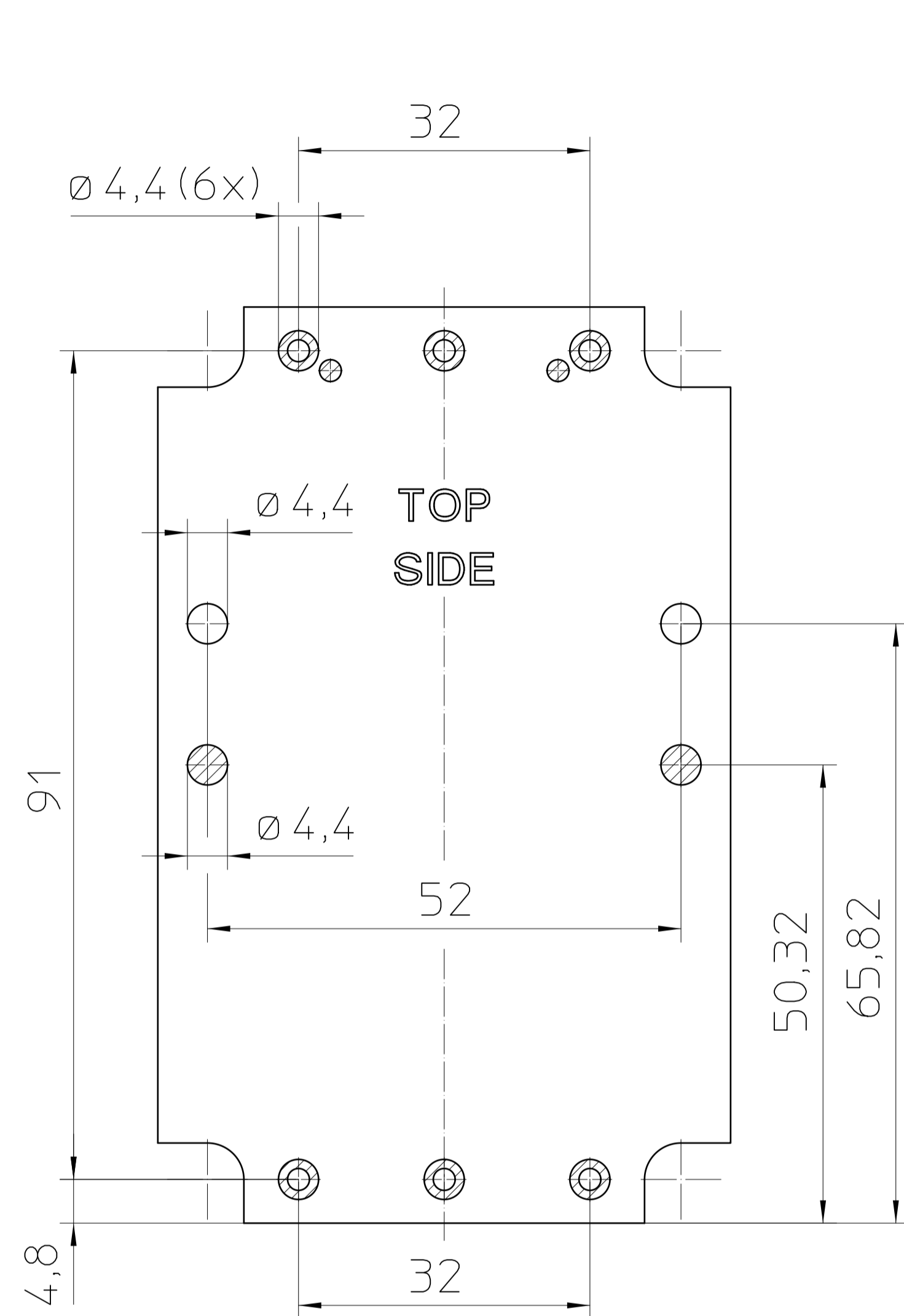
HCS-C MINI PCB MAIN



- General Information
- Document excluded from change process
 - CAD Data see Download-Center on www.phoenixcontact.com
 - Linear dimensions [mm]
 - General tolerances PCB: dimensions ≤ 30 : $\pm 0,1/R \pm 0,2/\pm 1^\circ$
dimensions > 30 : $\pm 0,15/R \pm 0,2/\pm 1^\circ$
symmetry: 0,2
 - Restricted area
 - Thickness= 1,4-1,8
 - Component mounting area on top side: 6200mm²
 - Component mounting area on bottom side: 6150mm²


DIN A3	document-No. / RI	date	scale
	00966876 / 02	06.10.2017	1:1
	ident.-No.	document-type	
	2203146	TECDOC 2D_Productdrawing	
page 2 of 3	description		
HCS-C MINI C C C C 7035			

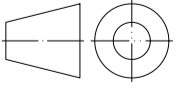

HCS-C MINI PCB SECOND



General Information

- Document excluded from change process
- CAD Data see Download-Center on www.phoenixcontact.com
- Linear dimensions [mm]
- General tolerances PCB: dimensions ≤ 30 : $\pm 0,1/R \pm 0,2/\pm 1^\circ$
dimensions > 30 : $\pm 0,15/R \pm 0,2/\pm 1^\circ$
symmetry: 0,2

- Restricted area 
- Thickness= 1,4-1,8
- Component mounting area on top side: 5810mm²
- Component mounting area on bottom side: 5870mm²

 DIN A3	document-No. / RI	date	scale
	00966876 / 02	06.10.2017	1:1
	ident.-No.	document-type	
	2203146	TECDOC 2D_Productdrawing	
page 3 of 3	description		
HCS-C MINI C C C C 7035			

Transfer or duplication of this document as well as the utilisation or communication of its content are not permitted unless express consent is granted. Violations give rise to claims for damages. All rights reserved in case of patent, utility model or design patent registrations.

Weitergabe sowie Vervielfältigung dieses Dokuments, Verwertung und Mitteilung seines Inhalts sind verboten, soweit nicht ausdrücklich gestattet. Zuwiderhandlungen verpflichten zu Schadensersatz. Alle Rechte für den Fall der Patent-, Gebrauchsmuster- oder Designeintragung vorbehalten.