



Robert Bosch Power Tools GmbH
70538 Stuttgart
GERMANY

www.bosch-pt.com

1 609 92A 5CB (2019.08) T / 14



1 609 92A 5CB

GHJ 10,8+18V Unisex Professional

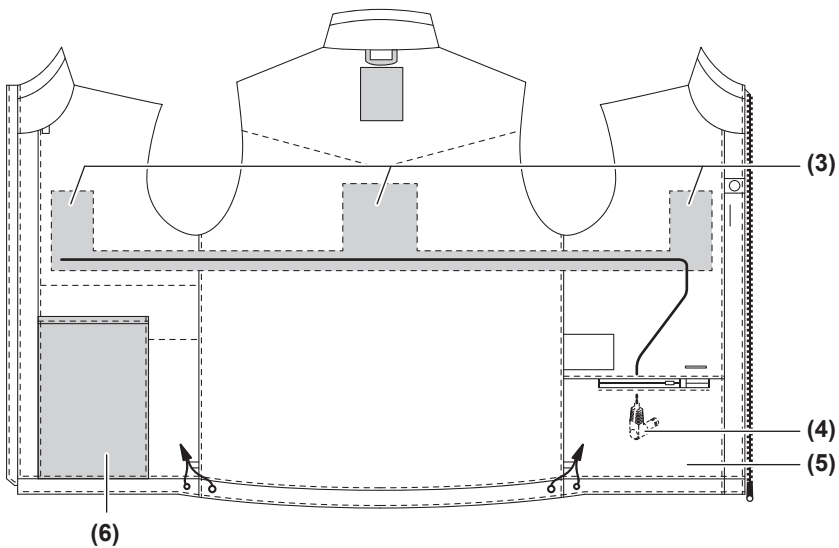
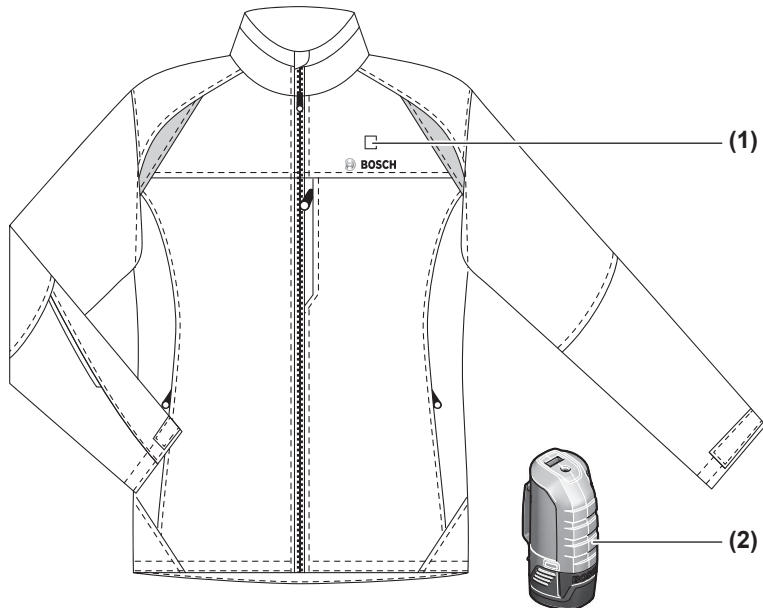
S | M | L



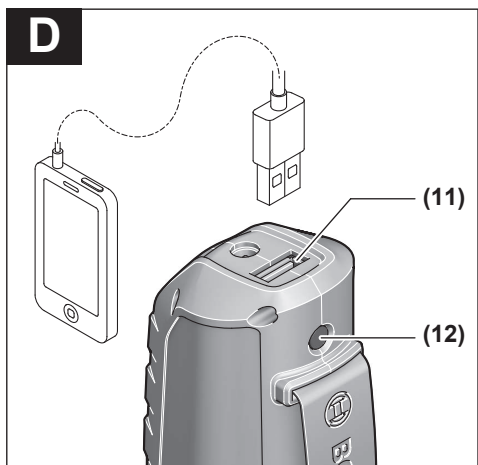
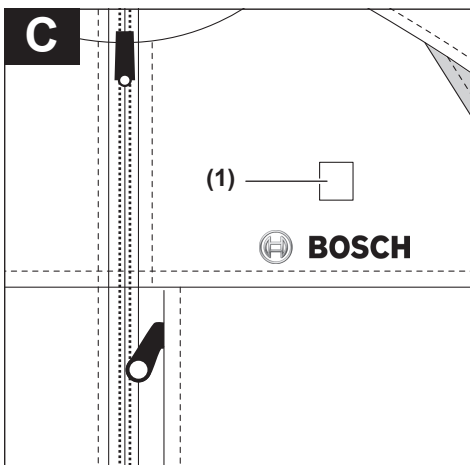
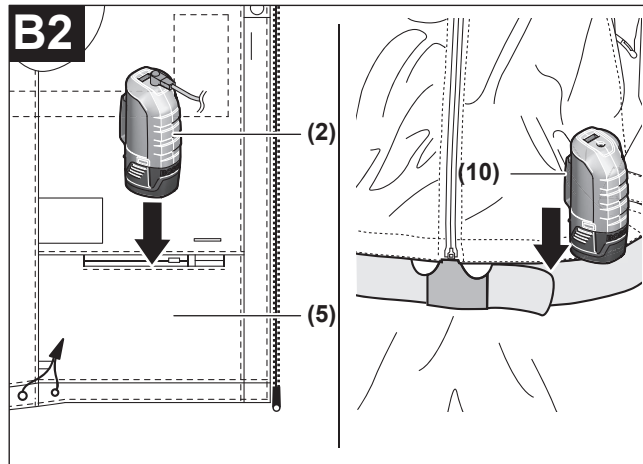
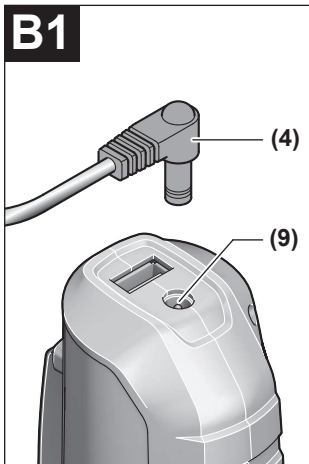
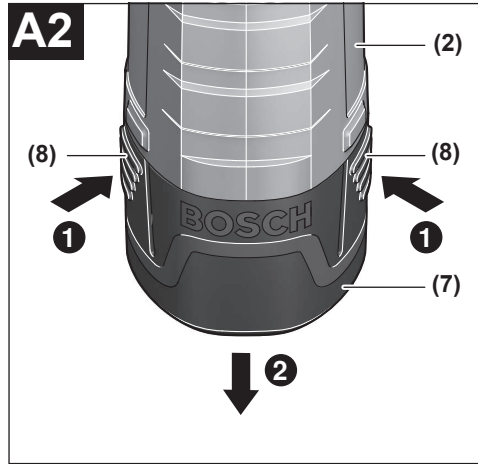
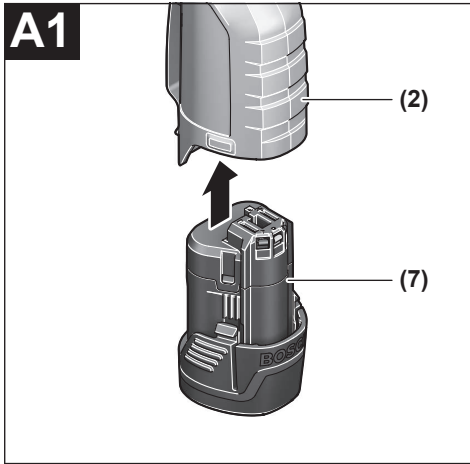
en Original instructions

ko 사용 설명서 원본

English Page 5
한국어 페이지 11



GHJ 10,8+18V Unisex



English

Safety instructions



Read all the safety information and instructions. Failure to observe the safety information and follow instructions may result in electric shock, fire and/or serious injury.

Save all warnings and instructions for future reference.

- ▶ **This garment is not intended for use by children or persons with physical, sensory or mental limitations or a lack of experience or knowledge.**

This garment can be used by children aged 8 or older and by persons who have physical, sensory or mental limitations or a lack of experience or knowledge if a person responsible for their safety supervises them or has instructed them in the safe operation of the garment and they understand the associated dangers. Otherwise, there is a risk of operating errors and injuries.

- ▶ **Supervise children.** This will ensure that children do not play with the garment.
- ▶ **Children must not be allowed to clean and perform maintenance on the garment without supervision.**
- ▶ **If, whilst using the garment, you suffer the symptoms listed below, take the garment off immediately and consult a doctor.** Otherwise, there is a risk of heat exhaustion or heatstroke.
 - Early signs:
Any discomfort; excessive sweating; neck pain; nausea; dizziness or drowsiness
 - Symptoms of heat exhaustion/heatstroke:
Nausea and vomiting; throbbing headache; dizziness and drowsiness; absence of perspiration; red, hot and dry skin; muscle weakness or seizures; rapid heartbeat;

quick, shallow breathing; behavioural changes such as confusion, disorientation or staggering; unconsciousness

- ▶ **Do not use the garment if you suffer from conditions that make you susceptible to overheating, or if your body contains a medical implant. Ask your doctor and/or the manufacturer of the medical implant whether you can use this heated garment.**
- ▶ **Switch off the heating function of the garment when in a warm environment.** There is a danger of heatstroke.
- ▶ **Do not use the garment to keep infants or helpless, sleeping or unconscious persons or persons with circulatory disorders warm.** The wearer must be able to immediately sense the temperature of the garment and his/her own well-being in order to prevent overheating.
- ▶ **The garment is not intended for use in hospitals.**
- ▶ **Do not insert pins or other sharp objects into the garment.** A damaged heating element or a damaged connector plug cable causes the garment to malfunction and increases the risk of electric shock or fire.
- ▶ **Do not misuse the connector plug cable for anything other than its intended purpose, e.g. do not use it for carrying or pulling the garment or for unplugging the battery. Keep the cable away from oil, sharp objects and moving components. Do not bend the cable.** A damaged heating element or a damaged connector plug cable causes the garment to malfunction and increases the risk of electric shock or fire.
- ▶ **The garment is not waterproof.** Intrusion of water increases the risk of electric shock. If the garment does get wet, immediately unplug the battery and remove it from the battery adapter.
- ▶ **Do not fold a garment when heated, and do not store any objects on top of it.** A damaged heating element or a damaged connector plug cable causes the garment to malfunction and increases the risk of electric shock or fire.
- ▶ **Carefully observe the care and cleaning instructions of the garment.** Insufficient care poses a danger of electric shock or fire.
- ▶ **Leave the garment to cool down completely before you store it.**
- ▶ **Check for signs of wear or damage on the garment at regular intervals.** If such signs are present or if the garment has been used improperly, do not use the garment again and return it to the retailer.
- ▶ **Only have your garment repaired by qualified personnel using only original spare parts.** This will ensure that the safety of the garment is maintained.
- ▶ **Do not open the battery.** There is a risk of short-circuiting.
- ▶ **In case of damage and improper use of the battery, vapours may be emitted. The battery can set alight or explode.** Ensure the area is well ventilated and seek medical attention should you experience any adverse effects. The vapours may irritate the respiratory system.

- ▶ **If used incorrectly or if the battery is damaged, flammable liquid may be ejected from the battery. Contact with this liquid should be avoided. If contact accidentally occurs, rinse off with water. If the liquid comes into contact with your eyes, seek additional medical attention.** Liquid ejected from the battery may cause irritation or burns.
- ▶ **The battery can be damaged by pointed objects such as nails or screwdrivers or by force applied externally.** An internal short circuit may occur, causing the battery to burn, smoke, explode or overheat.
- ▶ **When the battery is not in use, keep it away from paper clips, coins, keys, nails, screws or other small metal objects that could make a connection from one terminal to another.** A short circuit between the battery terminals may cause burns or a fire.
- ▶ **Only use the battery with products from the manufacturer.** This is the only way in which you can protect the battery against dangerous overload.
- ▶ **Only charge the batteries using chargers recommended by the manufacturer.** A charger that is suitable for one type of battery may pose a fire risk when used with a different battery.



Protect the battery against heat, e.g. against continuous intense sunlight, fire, water and moisture. There is a risk of explosion.



- ▶ **When the battery is inserted, protect the garment from heat and, for example, from fire, water, moisture and long periods of direct sunlight.** There is a risk of explosion.
- ▶ **Observe the notes for disposal of the battery.**
- ▶ **CAUTION! Use only those batteries recommended in "Technical data". The use of other batteries may cause risk of explosion.**
- ▶ **Do not insert the battery into the battery adapter if the release buttons are broken or faulty.** The battery may fall out during operation.

Product Description and Specifications

Please observe the illustrations at the beginning of this operating manual.

Intended Use

The garment is intended to keep the body warm in cold ambient temperatures.

Product Features

The numbering of the product features refers to the representation of the garment on the graphic pages.

- (1) On/off switch and heat controller
- (2) Battery adapter
- (3) Heating elements

- (4) Connector plug
- (5) Inside pocket for battery adapter
- (6) Inside pocket for large documents
- (7) Battery ^{A)}
- (8) Battery release button
- (9) Socket for connector plug
- (10) Belt clip
- (11) USB port
- (12) Activation button for USB connection

A) **Accessories shown or described are not included with the product as standard. You can find the complete selection of accessories in our accessories range.**

Technical Data

Heated jacket		GHJ 10,8+18V Unisex	
Article number			1 600 A01 3..
Sizes			S/M/L
Voltage	V		10.8
Nominal capacity, max.	W		9.5
Battery adapter		GAA 10,8V-21	
Article number			1 600 A01 435
USB port			USB 2.0
- Charging voltage	V		5.0
- Charge current	A		2.1
Battery			
Permitted ambient temperature			
- during charging	°C		0 to +45
- during operation ^{A)} and during storage	°C		-20 to +50
Recommended batteries			GBA 10,8V... GBA 12V...
Recommended chargers			AL 11.. CV GAL 12.. CV

A) Limited performance at temperatures <0 °C

Preparing the Garment

Charging the Battery

- ▶ **The battery adapter does not serve as a charger. Do not use any in-car USB charging cables to charge the battery.** Using in-car USB charging cables can damage the battery and/or the battery adapter.

Note: The battery is supplied partially charged. To ensure full battery capacity, fully charge the battery in the charger before using your power tool for the first time.

The lithium-ion battery can be charged at any time without reducing its service life. Interrupting the charging process does not damage the battery.

The lithium-ion battery is protected against deep discharge by the "Electronic Cell Protection (ECP)". When the battery

is discharged, the power tool is switched off by means of a protective circuit: The application tool no longer rotates.

- ▶ **Do not continue to press the on/off switch after the heating elements have been automatically switched off.** This can damage the battery.

Inserting and Removing the Battery (see figures A1–A2)

- ▶ **Do not use force to insert the battery.** The battery is designed in such a way that it can only be inserted into the battery adapter when it is in the right position.

To **insert** the battery (7), push it all the way into the battery adapter (2).

To **remove** the battery (7), press the release buttons (8) on the battery and pull it out of the battery adapter (2).

Connecting Heating Elements (see figures B1–B2)

Plug the connector plug (4) into the socket (9) on the battery adapter. The on/off switch (1) lights up briefly when the battery is charged.

Slide the battery adapter (2) into the pocket (5) provided in the garment or attach the battery adapter to your belt using the belt clip (10).

Using the Garment

Switching the Heating Function on/off (see figure C)

Ensure that the battery (7) is charged and correctly inserted into the battery adapter (2), and that the heating elements (3) are connected.

To **heat**, press the on/off switch (1) until the LED of the on/off switch lights up red.

Note: The highest heating level is always set when the heating is switched on.

To **switch off**, press and hold the on/off switch (1) until the LED goes out.

Setting the Heating Level

The heating level is indicated by the colour of the LED on the on/off switch (1).

LED	Thermal output
Red	High
Green	Medium
Blue	Low

Repeatedly press the on/off switch (1) until the LED displays the required heating level.

- ▶ **Set the lowest heating level (blue) for continuous operation.** In the event of overheating, there is a risk of garment malfunction and of injury.

Charging External USB Devices (see figure D)

You can use the USB port on the battery adapter to increase the battery runtime of various battery-operated USB devices, e.g. mobile phones or MP3 players. This can also be done whilst the garment is being heated.

- ▶ **Ensure that your external USB device can be charged using the USB port on the battery adapter. Refer to the specifications related to this topic in "Technical data".**

Connect the charging cable of your USB device to the USB socket (11) on the battery adapter (2).

Press the activation button (12) for approx. three seconds. The connected USB device will be charged.

To save energy, the USB port is automatically deactivated after approx. 2 hours. If no charging cable is connected, the USB port is automatically deactivated after 30 seconds.

Rectifying Faults

Problem	Corrective measures
Garment is not being heated.	Charge the battery. Connect the connector plug (4) correctly. Press and hold the on/off switch (1) until the LED lights up red.
One or more heating elements are not heating up.	Contact the garment retailer.
Garment switches itself off automatically.	Overheating protection is activated: Press the on/off switch (1) to switch off the heating elements and leave garment to cool down for approx. 30 minutes. Contact the garment retailer.
External USB device cannot be charged using the USB port.	Charge the battery. Connect the charging cable of the external USB device to the USB socket (11) on the battery adapter (2). Press the activation button (12) for approx. three seconds. The external USB device cannot be charged using the USB port on the battery adapter (refer to specifications in "Technical data" ^{A)}).

A) Some external USB devices cannot be charged with this battery adapter despite being consistent with the technical data.

Maintenance and Service

- **Before undertaking any work on the garment itself (e.g. cleaning, etc.), as well as during transport and storage, remove the battery from the battery adapter.**

Cleaning

- **Remove the battery adapter from the garment before cleaning.** If the battery adapter becomes wet, it can cause a malfunction of the garment.

Remove all contents from the pockets when cleaning the garment, especially the battery adapter **(2)**, the battery **(7)** and any connected USB cables. The connector plug **(4)** can be washed with the garment.

Follow the instructions on the care label in the garment:



Machine wash on medium temperature setting



Do not bleach



Tumble-dry on low temperature setting



Do not iron



Do not wring out



Do not dry clean



Not to be used by very young children (0–3 years)



Do not insert pins

After-Sales Service and Application Service

Our after-sales service responds to your questions concerning maintenance and repair of your product as well as spare parts. You can find explosion drawings and information on spare parts at: www.bosch-pt.com

The Bosch product use advice team will be happy to help you with any questions about our products and their accessories.

In all correspondence and spare parts orders, please always include the 10-digit article number given on the nameplate of the product.

Cambodia

Robert Bosch (Cambodia) Co., Ltd
Unit 8BC, GT Tower, 08th Floor, Street 169,
Czechoslovakia Blvd, Sangkat Veal Vong
Khan 7 Makara, Phnom Penh
VAT TIN: 100 169 511
Tel.: +855 23 900 685
Tel.: +855 23 900 660
www.bosch.com.kh

People's Republic of China China Mainland

Bosch Power Tool (China) Co. Ltd.
Bosch Service Center
567, Bin Kang Road
Bin Kang District
Hangzhou, Zhejiang Province
China 310052
Tel.: (0571) 8887 5566 / 5588
Fax: (0571) 8887 6688 x 5566# / 5588#
E-Mail: bsc.hz@cn.bosch.com
www.bosch-pt.com.cn

HK and Macau Special Administrative Regions

Robert Bosch Co. Ltd.
Flat B, 2/F, Yeung Yiu Chung No. 6 Industrial Building,
19 Cheung Shun Street
Cheung Sha Wan
Kowloon, Hong Kong
Customer Service Hotline: +852 2101 0235
Fax: +852 2590 9762
E-Mail: info@hk.bosch.com
www.bosch-pt.com.hk

India

Bosch Service Center
69, Habibullah Road, (Next to PSBB School), T. Nagar
Chennai–600077
Phone: (044) 64561816
Bosch Service Center
18, Community Center
Phase 1, Mayapuri
New Delhi–110064
Phone: (011) 43166190

Indonesia

PT Robert Bosch
Palma Tower 10th Floor
Jalan RA Kartini II-S Kaveling 6
Pondok Pinang, Kebayoran Lama
Jakarta Selatan 12310
Tel.: (21) 3005-5800
www.bosch-pt.co.id

Malaysia

Robert Bosch Sdn. Bhd.(220975-V) PT/SMY
No. 8A, Jalan 13/6
46200 Petaling Jaya
Selangor
Tel.: (03) 79663194
Toll-Free: 1800 880188
Fax: (03) 79583838

E-Mail: kiathoe.chong@my.bosch.com
www.bosch-pt.com.my

Pakistan

Robert Bosch Middle East FZE – Pakistan Liaison Office
2nd Floor Plaza # 10, CCA Block, DHA Phase 5
Lahore, 54810
Phone: +92(303)4444311
Email: Faisal.Khan@bosch.com

Philippines

Robert Bosch, Inc.
28th Floor Fort Legend Towers,
3rd Avenue corner 31st Street,
Fort Bonifacio, Global City,
1634 Taguig City
Tel.: (632) 8703871
Fax: (632) 8703870
www.bosch-pt.com.ph

Singapore

Powerwell Service Centre Ptd Ltd
Bosch Authorised Service Centre (Power Tools)
4012 Ang Mo Kio Ave 10, #01-02 TECHplace
Singapore 569628
Tel.: 6452 1770
Fax: 6452 1760
E-Mail: ask@powerwellsc.com
www.powerwellsc.com
www.bosch-pt.com.sg

Thailand

Robert Bosch Ltd.
FYI Center Tower 1, 5th Floor,
2525 Rama IV Road, Klongtoei,
Bangkok 10110
Tel.: 02 0128888
Fax: 02 0645802
www.bosch.co.th
Bosch Service – Training Centre
La Salle Tower Ground Floor Unit No.2
10/11 La Salle Moo 16
Srinakharin Road
Bangkaew, Bang Plee
Samutprakarn 10540
Tel.: 02 7587555
Fax: 02 7587525

Vietnam

Branch of Bosch Vietnam Co., Ltd in HCMC
14th floor, Deutsches Haus, 33 Le Duan
Ben Nghe Ward, District 1, Ho Chi Minh City
Tel.: (028) 6258 3690
Fax: (028) 6258 3692 - 6258 3694
Hotline: (028) 6250 8555
Email: tuvankhachhang-pt@vn.bosch.com
www.bosch-pt.com.vn

Bahrain

EA Juffali and Brothers for Technical Equipment Company.
Kingdom of Bahrain, Al Aker - Block 0624 - Road 2403 -
Building 0055D

Phone: +97317704537
Fax: +973177045257
Email: h.berjas@ejab.com.sa

Egypt

RBEG-LLC
22 Kamal Eldin Hussein
Sheraton Heliopolis
11799 Cairo
E-mail: boschegypt.powertools@eg.bosch.com

Iran

Robert Bosch Iran
3rd Floor, No 3, Maadiran Building
Aftab St., Khodami St., Vanak Sq.
Tehran 1994834571
Phone: +9821- 86092057

Iraq

Sahba Technology Group
Al Muthana airport road
Baghdad
Phone Bagdad: +964 (0) 7 901 930366
Phone Dubai: +971 (0) 4 422 1898
Email: duraid@sahbatechnology.com

Jordan

Roots Arabia – Jordan
Al-Hurriyah Street, Al-Muqabalein
Amman 11623, Jordan
P.O. Box: 110068
Tel. : +962 6 4398990
E-mail: bosch@rootsjordan.com

Kuwait

Shuwaikh Industrial Area, Block 1, Plot 16, Street 3rd
P.O. Box 164 – Safat 13002
Phone: +965 - 2496 88 88
Fax: +965 - 2481 08 79
E-mail: josephkr@aaalmutawa.com

Lebanon

Tehini Hana & Co. S.A.R.L.
P.O. Box 90-449
Jdeideh 1202 2040
Dora-Beirut
Phone: +9611255211
Email: service-pt@tehini-hana.com

Libya

El Naser for Workshop Tools
Swanee Road, Alfalah Area
Tripoli
Phone: +218 21 4811184

Oman

Malatan Trading & Contracting LLC
P.O. Box 131, Ruwi, Muscat
Postal Code: 112, Sultanate of Oman
Phone: +968 2479 4035/4089/4901
Mob: +968-91315465
Fax: +968 2479 4058
E-Mail: sudhirkumar@malatan.net

Qatar

International Construction Solutions W L L
 P. O. Box 51, Doha
 Phone: +974 40065458
 Fax: +974 4453 8585
 Email: csd@icsdoha.com

Saudi Arabia

Juffali Technical Equipment Co. (JTECO)
 P.O.Box: 1049 – Jeddah 21431 – KSA
 Jeddah: 00966 (0) 12 692 0770 – Ext 433
 Riyadh: 00966 (0) 11 409 3976 – Ext-30/34/39
 Dammam: 00966 (0) 13 833 9565
 E-mail: M.Zreik@ejab.com.sa

Syria

Dallal Establishment for Power Tools
 Damascus. Baramkeh street - Ibn Amer street,
 Phone: +963112241006 or 009631122414009
 Mobile: 00963991141005
 Email: rita.dallal@hotmail.com

United Arab Emirates

Central Motors & Equipment,
 P.O. Box 26255, Dubai
 Dubai: 00971 (0) 4 3090920/3090930
 Abu Dhabi: 00971 (0) 2 4017745
 Sharjah: 00971 (0) 6 5932777
 Al Ain: 00971 (0) 3 7157419
 E-Mail: Mallappa.Madari@centralmotors.ae

Yemen

Abu Alrejal Trading Corporation
 P.O. Box : 17024 , Zubeiry St.
 Sana'a, Yemen
 Tel: +967-1-20 20 10
 Fax: +967-1-47 19 17
 E-mail: tech-tools@abualrejal.com/yahya@abualrejal.com

Ethiopia

Forever plc
 Kebele 2,754, BP 4806,
 Addis Ababa
 Phone: +251 111 560 600
 Email: foreverplc@ethionet.et

Ghana

Robert Bosch Ghana Limited
 21 Kofi Annan Road Airport Residential Area Accra
 Tel. +233 (0)3027 94616

Kenya

Robert Bosch East Africa Ltd
 Mpaka Road P.O. Box 856
 00606 Nairobi

Nigeria

Robert Bosch Nigeria Ltd.
 52–54 Isaac John Street P.O. Box
 GRA Ikeja – Lagos

Tanzania

Diesel & Autoelectric Service Ltd.
 117 Nyerere Rd., P.O. Box 70839

Vingunguti 12109, Dar Es Salaam
 Phone: +255 222 861 793/794

Australia, New Zealand and Pacific Islands

Robert Bosch Australia Pty. Ltd.
 Power Tools
 Locked Bag 66
 Clayton South VIC 3169
 Customer Contact Center
 Inside Australia:
 Phone: (01300) 307044
 Fax: (01300) 307045
 Inside New Zealand:
 Phone: (0800) 543353
 Fax: (0800) 428570
 Outside AU and NZ:
 Phone: +61 3 95415555
 www.bosch-pt.com.au
 www.bosch-pt.co.nz

Republic of South Africa**Customer service**

Hotline: (011) 6519600

Gauteng – BSC Service Centre

35 Roper Street, New Centre
 Johannesburg
 Tel.: (011) 4939375
 Fax: (011) 4930126
 E-Mail: bsctools@icon.co.za

KZN – BSC Service Centre

Unit E, Almar Centre
 143 Crompton Street
 Pinetown
 Tel.: (031) 7012120
 Fax: (031) 7012446
 E-Mail: bsc.dur@za.bosch.com

Western Cape – BSC Service Centre

Democracy Way, Prosperity Park
 Milnerton
 Tel.: (021) 5512577
 Fax: (021) 5513223
 E-Mail: bsc@zsd.co.za

Bosch Headquarters

Midrand, Gauteng
 Tel.: (011) 6519600
 Fax: (011) 6519880
 E-Mail: rbsa-hq.pts@za.bosch.com

Armenia, Azerbaijan, Georgia

Robert Bosch Ltd.
 David Agmashenebeli ave. 61
 0102 Tbilisi, Georgia
 Tel. +995322510073
 www.bosch.com

Kyrgyzstan, Mongolia, Tajikistan, Turkmenistan, Uzbekistan

TOO "Robert Bosch" Power Tools, After Sales Service
 Muratbaev Ave., 180
 050012, Almaty, Kazakhstan

Service Email: service.pt.ka@bosch.com
 Official Website: www.bosch.com, www.bosch-pt.com

Transport

The contained lithium-ion batteries are subject to the Dangerous Goods Legislation requirements. The batteries are suitable for road-transport by the user without further restrictions.

When shipping by third parties (e.g.: by air transport or forwarding agency), special requirements on packaging and labelling must be observed. For preparation of the item being shipped, consulting an expert for hazardous material is required.

Dispatch battery packs only when the housing is undamaged. Tape or mask off open contacts and pack the battery in such a manner that it cannot move around in the packaging. Please also observe the possibility of more detailed national regulations.

Disposal



Power tools, rechargeable batteries, accessories and packaging should be sorted for environmental-friendly recycling.



Do not dispose of power tools and batteries/rechargeable batteries into household waste!

Battery packs/batteries:

Li-ion:

Please observe the notes in the section on transport (see "Transport", page 11).

한국어

안전 수칙



모든 안전 수칙과 지침을 숙지하십시오. 다음의 안전 수칙과 지침을 준수하지 않으면 화재 위험이 있으며 감전 혹은 충상을 입을 수 있습니다.

안전 수칙과 지침서는 계속 보관하시기 바랍니다.

- ▶ **본 복장은 어린이나 정신지체 및 신체 부자유자 혹은 경험이 나 지식이 부족한 사람이 사용하기에 적합하지 않습니다. 본 복장은 안전 책임자의 감독 하에 혹은 감독자에게 복장의 안전한 사용법과 관련 위험사항에 대한 교육을 받고 이해한 경우에 한해 8세 이상의 어린이,**

정신지체 및 신체 부자유자 혹은 경험이 나 지식이 부족한 사람이 사용할 수 있습니다. 이를 지키지 않을 경우, 오작동과 부상의 위험이 따릅니다.

- ▶ **어린이는 감독이 필요합니다. 복장을 가지고 장난치는 일이 없도록 해야 합니다.**
- ▶ **감독이 이뤄지지 않은 상태에서 어린이가 복장을 세탁하고 손질해서는 안됩니다.**
- ▶ **복장 사용 중에 다음의 증상이 나타날 경우 즉시 복장 착용을 중단하고 의사와 상담하십시오. 그렇지 않을 경우 열사병의 위험이 따릅니다.**
 - 첫 번째 신호:
불쾌감, 과도한 땀분비, 목의 통증, 메스꺼움, 어지러움, 또는 몽롱한 현상
 - 열사병 증세:
메스꺼움과 구토. 육신거리는 두통, 어지러움 또는 몽롱한 현상, 땀흘림 중단, 붉게 달아오르고 건조한 피부, 경련, 심박동 증가, 가쁜 호흡, 방향감각 상실이나 비틀거리고 같은 이상행동, 의식불명.
- ▶ **과열감이 느껴지거나, 신체 보조기구를 사용한 경우 복장을 사용하지 마십시오. 의사나 신체 보조기구 제조사에 본 발열 복장의 사용 가능 여부를 문의하십시오.**
- ▶ **따뜻한 곳에서는 복장을 가열하지 마십시오. 열사병의 위험이 있습니다.**
- ▶ **어린 아이, 자고 있거나 의식이 없는 사람 혹은 순환기 장애가 있는 사람의 보온을 위한 복장으로 사용하지 마십시오. 착용자는 과열을 방지할 수 있도록 복장의 온도와 스스로 편안함을 느낄 수 있어야 합니다.**
- ▶ **복장은 병원에서 사용하는 용도가 아닙니다.**
- ▶ **바늘이나 다른 뾰족한 물체를 복장 안에 넣지 마십시오. 손상된 가열 엘리먼트나 손상된 전원 플러그의 케이블은 복장의 오작동을 야기하며 감전이나 화재의 위험을 증가시킵니다.**
- ▶ **전원 플러그의 케이블을 복장을 착용하거나 탈의 할 때, 배터리를 뺄 때와 같이 다른 용도로 사용하지 마십시오. 케이블은 오일, 뾰족한 물체 또는 움직이는 부품 가까이에 두지 마십시오. 케이블을 찢지 마십시오. 손상된 가열 엘리먼트나 손상된 전원 플러그의 케이블은 복장의 오작동을 야기하며 감전이나 화재의 위험을 증가시킵니다.**
- ▶ **본 복장은 방수가 되지 않습니다. 물이 유입되면 감전의 위험이 증가합니다. 혹사라도 복장이 젖은 경우에는 즉시 배터리를 빼내고 배터리 어댑터에서 분리하십시오.**

- ▶ 가열된 복장을 접지 말고 그 위에 다른 물건을 두지 마십시오. 손상된 가열 엘리먼트나 손상된 전원 플러그의 케이블은 복장의 오작동을 야기하며 감전이나 화재의 위험을 증가시킵니다.
- ▶ 복장 관리 및 세척 지침을 자세히 살펴보십시오. 부주의할 경우 감전이나 화재의 위험이 있습니다.
- ▶ 복장은 완전히 열을 식힌 후에 보관하십시오.
- ▶ 복장의 마모나 손상 상태를 정기적으로 점검하십시오. 마모 또는 손상된 조짐이 보이거나 복장을 부적절하게 사용한 경우 사용을 중단하고 멀리에게 가져 가시기 바랍니다.
- ▶ 복장은 자격을 갖춘 전문 인력을 통해 순정 부품으로만 수리하십시오. 이를 통해 복장 사용 시 안전을 보장할 수 있습니다.
- ▶ 배터리를 분해하지 마십시오. 단락이 발생할 위험이 있습니다.
- ▶ 배터리가 손상되었거나 잘못 사용될 경우 증기가 발생할 수 있습니다. 배터리에서 화재가 발생하거나 폭발할 수 있습니다. 작업장을 환기시키고, 필요한 경우 의사와 상담하십시오. 증기로 인해 호흡기가 자극될 수 있습니다.
- ▶ 배터리를 잘못 사용거나 배터리가 손상된 경우, 배터리에서 가연성 유체가 흘러나올 수 있습니다. 누수가 생긴 배터리에 닿지 않도록 하십시오. 피부에 접하게 되었을 경우 즉시 물로 씻으십시오. 유체가 눈에 닿았을 경우 바로 의사와 상담하십시오. 배터리에서 나오는 유체는 피부에 자극을 주거나 화상을 입힐 수 있습니다.
- ▶ 못이나 스크류 드라이버 같은 뾰족한 물체 또는 외부에서 오는 충격 등으로 인해 축전지가 손상될 수 있습니다. 내부 단락이 발생하여 배터리가 타거나 연기가 발생하고, 폭발 또는 과열될 수 있습니다.
- ▶ 배터리를 사용하지 않을 때는 각 극 사이에 브리징 상태가 생길 수 있으므로 페이퍼 클립, 동전, 열쇠, 못, 나사 등 유사한 금속성 물체와 멀리하여 보관하십시오. 배터리 극 사이에 쇼트가 일어나 화상을 입거나 화재를 야기할 수 있습니다.
- ▶ 제조사의 배터리 제품만 사용하십시오. 그래야만 배터리 과부하의 위험을 방지할 수 있습니다.
- ▶ 배터리는 제조사에서 권장하는 충전기에서만 충전하십시오. 특정 제품의 배터리를 위하여 제조된 충전기에 적합하지 않은 다른 배터리를 충전할 경우 화재 위험이 있습니다.



배터리를 태양 광선 등 고열에 장시간 노출되지 않도록 하고 불과 물, 수분이 있는 곳에 두지 마십시오. 폭발 위험이 있습니다.



- ▶ 배터리가 삽입된 복장이 계속되는 직사광선과 같은 열기, 불 및 물과 수분에 닿지 않게 보호하십시오. 폭발 위험이 있습니다.
- ▶ 배터리 폐기처리에 관련된 지시 사항을 준수하십시오.
- ▶ 주의! "기술자료"에서 권장하는 배터리만 사용하십시오. 다른 배터리를 사용할 경우 폭발 위험이 있습니다.

- ▶ 해제 버튼이 고정되거나 결합이 있는 경우 충전기 어댑터에 배터리를 끼우지 마십시오. 배터리가 작동 중에 빠질 수 있습니다.

제품 및 성능 설명

사용 설명서 앞 부분에 제시된 그림을 확인하십시오.

규정에 따른 사용

본 복장은 추운 곳에서 몸을 따뜻하게 하기 위한 용도로 사용됩니다.

제품의 주요 명칭

그림의 부품에 매겨진 번호는 그래픽 페이지의 복장 그림에 해당됩니다.

- (1) 전원 스위치 및 온도 조절기
- (2) 배터리 어댑터
- (3) 가열 엘리먼트
- (4) 전원 플러그
- (5) 배터리 어댑터용 안쪽 주머니
- (6) 대형 문서용 안쪽 주머니
- (7) 배터리 A)
- (8) 배터리 해제 버튼
- (9) 전원 플러그용 소켓
- (10) 벨트 고정클립
- (11) USB 포트
- (12) USB 연결 작동 버튼

A) 도면이나 설명서에 나와있는 액세스러리는 표준 공급부품에 속하지 않습니다. 전체 액세스러리는 저희 액세스러리 프로그램을 참고하십시오.

제품 사양

발열 재킷		GHJ 10,8+18V Unisex	
제품 번호		1 600 A01 3..	
사이즈		S/M/L	
전압	V	10.8	
정격 출력, 최대	W	9.5	
배터리 어댑터		GAA 10,8V-21	
제품 번호		1 600 A01 435	
USB 연결부		USB 2.0	
- 충전 전압	V	5.0	
- 충전 전류	A	2.1	
배터리			
허용되는 주변 온도			
- 충전 시	°C	0...+45	
- 작동 시 ^{A)} 및 보관 시	°C	-20...+50	
권장 배터리		GBA 10,8V... GBA 12V...	

배터리

권장하는 충전기

AL 11.. CV
GAL 12.. CV

A) 온도 <0 °C일 때 출력 제한

복장 준비하기

배터리 충전하기

▶ **배터리 어댑터는 충전기 기능이 없습니다. 배터리 충전을 위해 차량 충전 케이블을 USB로 연결하여 사용하지 마십시오.** 차량 충전 케이블을 사용하면 배터리나 배터리 어댑터를 손상시킬 수 있습니다.

지침: 배터리는 일부 충전되어 공급됩니다. 배터리의 성능을 완전하게 보장하기 위해서는 처음 사용하기 전에 배터리를 충전기에 완전히 충전하십시오. 리튬이온 배터리는 항상 충전할 수 있으며, 이로 인해 수명이 단축되지 않습니다. 충전을 하다 중간에 중지해도 배터리가 손상되지 않습니다.

리튬 이온 배터리는 “Electronic Cell Protection (ECP)” (전자 셀 보호) 기능이 있어 과도하게 방전되지 않습니다. 배터리가 방전되면 안전 스위치가 작동하여 전동공구가 꺼지고 비트가 더 이상 움직이지 않습니다.

▶ **가열 엘리먼트가 자동으로 꺼진 뒤에는 전원 스위치를 누르지 마십시오.** 배터리가 손상될 수 있습니다.

배터리 삽입 및 분리하기 (그림 A1-A2참조)

▶ **배터리를 끼울 때 힘을 가하지 마십시오.** 배터리는 배터리 어댑터의 정확한 위치에 끼워지도록 설계되어 있습니다.

배터리 (7) 를 **삽입하려면** 배터리가 배터리 어댑터 (2) 의 끝에 닿을 때까지 미십시오.

배터리 (7) 를 **분리하려면** 해제 버튼 (8) 을 누르고 배터리 어댑터 (2) 에서 배터리를 빼내십시오.

가열 엘리먼트 연결하기(그림 B1-B2 참조)

전원 플러그 (4) 를 배터리 어댑터에 있는 소켓 (9) 에 끼우십시오. 배터리가 충전되면 전원 스위치 (1) 에 잠깐 동안 불이 들어옵니다.

배터리 어댑터 (2) 를 복장 안의 해당 주머니 (5) 안에 넣거나 벨트 고정클립 (10) 을 사용해 벨트에 겁니다.

복장 사용

전원 켜기/끄기(그림 C 참조)

배터리 (7) 가 충전되었는지와 배터리 어댑터 (2) 에 정확하게 위치하고 있는지 그리고 가열 엘리먼트 (3) 가 연결되었는지를 확인하십시오.

가열하려면 전원 스위치 LED에 적색이 들어올 때까지 전원 스위치 (1) 를 누릅니다.

지침: 전원이 켜진 후에는 항상 최고 가열 단계에 맞춰져 있습니다.

전원을 끄려면 LED가 꺼질 때까지 전원 스위치 (1) 를 누릅니다.

가열 단계 조정하기

가열 단계는 전원 스위치 (1) 의 LED 색상을 통해 표시됩니다.

LED	난방 출력
적색	고
녹색	중간
청색	저

LED가 원하는 가열 단계를 표시할 때까지 전원 스위치 (1) 를 누릅니다.

▶ **연속 작동 시 최저 가열 단계(청색)으로 조정합니다.** 과열 시 복장의 오작동과 부상 위험이 따릅니다.

외부 USB 장치 충전하기(그림 D 참조)

배터리 어댑터의 USB 연결부를 이용하면 휴대폰이나 MP3 플레이어와 같이 배터리로 작동되는 다양한 USB 장치들의 배터리 작동 시간을 연장할 수 있습니다. 복장 가열 중에도 이것이 가능합니다.

▶ **외부 USB 장치를 배터리 어댑터의 USB 단자에 연결하여 충전할 수 있는지 확인하십시오.** 이와 관련하여 "기술자료"에 나온 내용을 참고하십시오.

USB 장치의 충전 케이블을 배터리 어댑터 (2) 의 USB 단자 (11) 에 연결하십시오.

작동 버튼 (12) 을 약 3초간 누릅니다. 연결된 USB 장치가 충전됩니다.

에너지 절약을 위해 약 2초 후에 USB 연결이 자동으로 비활성화됩니다. 충전 케이블이 연결되지 않으면 30초 후에 USB 연결이 자동으로 비활성화됩니다.

문제 해결

문제	해결 방법
복장이 발열되지 않을 경우.	배터리 충전하기 전원 플러그 (4) 를 제대로 연결하십시오. 적색 LED가 들어올 때까지 전원 스위치 (1) 를 누르십시오.
한 개 혹은 여러 개의 가열 엘리먼트가 가열되지 않을 경우.	복장 판매 딜러에게 연락하십시오.
복장이 자동으로 꺼지지 않을 경우.	과열 방지 장치가 활성화됨: 가열 엘리먼트를 끄려면 전원 스위치 (1) 를 누른 후 복장을 약 30분간 냉각시키십시오. 복장 판매 딜러에게 연락하십시오.

문제	해결 방법
USB 연결로 USB 장치를 충전할 수 없을 경우.	배터리를 충전하십시오. 외부 USB 장치의 충전 케이블을 배터리 어댑터 (2)의 USB 단자 (11)에 연결하십시오.
	작동 버튼 (12)을 약 3초간 누르십시오.
	배터리 어댑터의 USB 연결로 외부 USB 장치를 충전할 수 없는 경우("기술자료"에 나온 내용 참조 A)).

A) 일부 외부 USB 장치의 경우 기술 자료와 일치함에도 불구하고 배터리 어댑터로 충전되지 않을 수 있습니다.

보수 정비 및 서비스


▶ (세탁 등) 복장의 모든 작업 전에 그리고 운반이나 보관 시 배터리 어댑터에서 배터리를 빼냅니다.


세탁


▶ 세탁 전에 배터리 어댑터를 복장에서 빼냅니다. 젖은 배터리 어댑터는 복장 오작동의 원인이 될 수 있습니다.


복장 세탁을 위해 주머니에 들어있는 모든 내용물, 특히 배터리 어댑터 (2), 배터리 (7) 및 연결된 USB 케이블을 제거하십시오. 전원 플러그 (4)는 함께 세탁해도 괜찮습니다.

복장의 세탁 기호 지침에 따르십시오.


 중온에서 세탁기 세탁


 표백 금지

 저온에서 드럼 건조

 다리질 금지

 비틀어 짜기 금지

 드라이 클리닝 금지

 유아(0-3세) 사용 금지



핀으로 찌르기 금지

AS 센터 및 사용 문의

AS 센터에서는 귀하 제품의 수리 및 보수정비, 그리고 부품에 관한 문의를 받고 있습니다. 대체 부품에 관한 분해 조립도 및 정보는 인터넷에서도 찾아볼 수 있습니다 - www.bosch-pt.com

보수 사용 문의 팀에서는 보수의 제품 및 해당 액세서리에 관한 질문에 기꺼이 답변 드릴 것입니다.

문의나 대체 부품 주문 시에는 반드시 제품 내임 플레이트에 있는 10자리의 부품번호를 알려 주십시오.

콜센터

080-955-0909

운반

포함되어 있는 리튬이온 배터리는 위험물 관련 규정을 따라야 합니다. 별도의 요구사항 없이 배터리를 사용자가 직접 도로 상에서 운반할 수 있습니다.

제3자를 통해 운반할 경우(항공 운송이나 운송 회사 등) 포장과 표기에 관한 특별한 요구 사항을 준수해야 합니다. 이 경우 발송 준비를 위해 위험물 전문가와 상담해야 합니다.

표면이 손상되지 않은 배터리만 사용하십시오. 배터리의 접촉 단자면을 덮어 붙인 상태로 내부에서 움직이지 않도록 배터리를 포장하십시오. 또한 이와 관련한 국내 규정을 준수하십시오.

처리



전동공구, 배터리, 액세서리 및 포장은 환경 친화적인 방법으로 재활용할 수 있도록 분류하십시오.



전동공구와 충전용 배터리/배터리를 가정용 쓰레기로 처리하지 마십시오!

충전용 배터리/배터리:

리튬이온:

운반 단락에 나와 있는 지침을 참고하십시오 (참조 "운반", 페이지 14).



- 기재명칭 : 배터리 어댑터
- 모델명 : GAA 10.8V-21
- 식별부호 : R-R-RB9-GAA12V21
- 상호명 : 로버트보쉬코리아 유한회사
- 제조자/국 : Robert Bosch Power Tools GmbH/중국
- 제조년월 : 별도표기