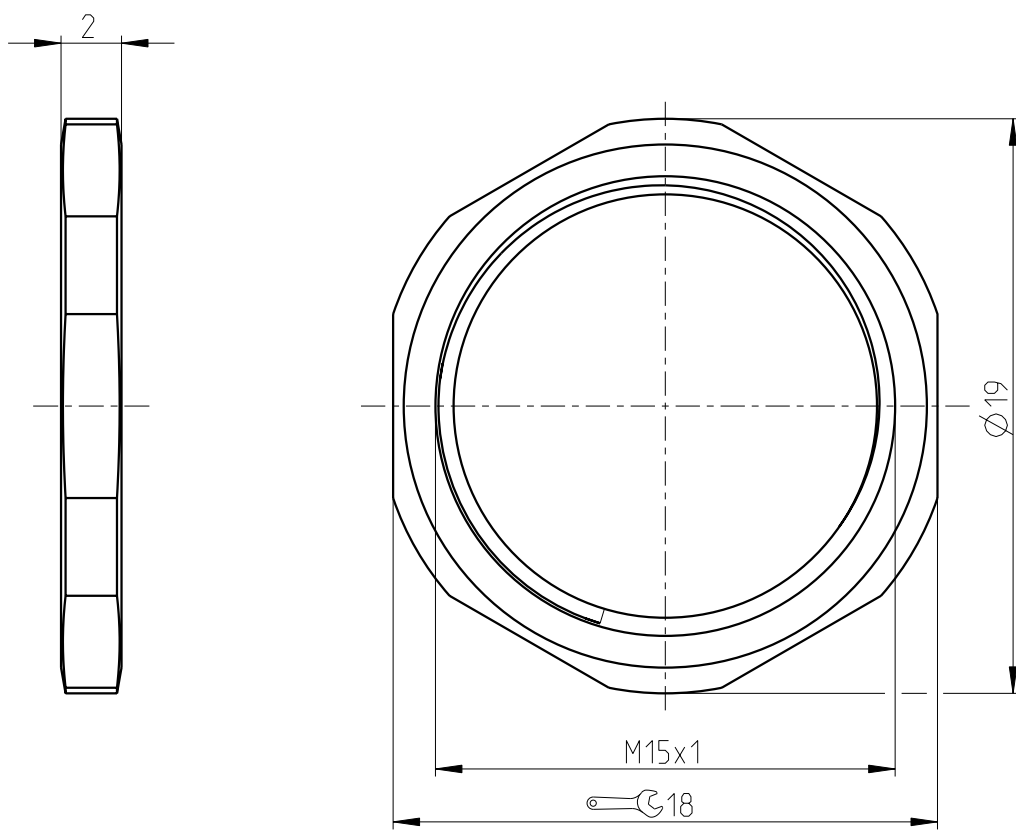


The copying, distribution and utilization of this document as well as the communication of the contents to others without expressed authorization is prohibited according to §18 UWG German Law. Offenders will be held liable for the payment of damages according to §19 UWG German Law. All rights reserved, in particular the right to carry out patent, utility model or ornamental design registrations.

Weitergabe sowie Vervielfältigung dieses Dokuments, Verwertung und Mitteilung seines Inhalts gem §18 UWG verboten, soweit nicht ausdrücklich gestattet. Zuwiderhandlungen verpflichten zu Schadenersatz (§19 UWG). Alle Rechte vorbehalten, insbesondere das Recht, Patent-, Gebrauchsmuster- oder Geschmacksmusteranmeldungen durchzuführen. PHENIX CONTACT Connector Technology GmbH Heisenbergstrasse 1 D-71083 Herrenberg

Mechanical data (according to IEC 61076-2-101)	
Locking thread	-
Material	
flange housing	-
sealing gasket	-
nut	brass / nickel-plated
temperature range	-



general tolerance acc. to DIN ISO 2768-c		technical changes reserved		Index 0 / 2018-04-25		scale: 4:1	
design	date	name		M12 nut M15x1		page: 1 of: 1	
chk.	2018-04-25	Scheerer					
		drawing-no.:		BS-Z0024		doc.-no.:	
		order-no.:		1238276		97012659	
		article designation:		SACC-M15-NUTX			