

Panel mounting appliance inlet, straight TN - flange 85x85, fixing centers 70x70

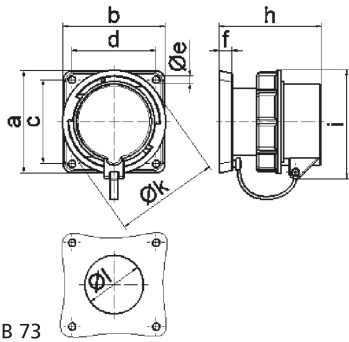


Product description	
BALS-Prd.-Nr	2895
EAN	4024941028950
Product category	TN panel mounting appliance inlet, straight
Current	32A
Number of poles	3p
Poles	2P+PE
Position of earth contact	6 h
Voltage	200 up to 250V

Product description	
Frequency	50 and 60Hz
VG-Type-No.:	VG 96919 AP 042
Supplynumber:	5935-12-362-3423
Protection degree	IP67
Colour code	bronze-green RAL 6031-F9
Colour of appliance	Bayonet ring bronze-green RAL 6031-F9, Collar bronze-green RAL 6031-F9, Closure cap bronze-green RAL 6031-F9, Enclosure bronze-green RAL 6031-F9
Connection design	with screw terminal
Maximum conductor size	6,0 qmm
Cable entry	other
Height	96.5mm
Width	94mm
Depth	94mm
Flange size vertical	85mm
Flange size horizontal	85mm
Drill hole distance vertical	70mm
Drill hole distance horizontal	70mm
Material of enclosure	Polyamide
Contact	The contact carrier is made of high temperature resistant material, the contacts are brass nickel plated

Additional technical properties	
	With closure cap

Logistics data	
Weight/pcs	0.302 kg / Piece
Packaging	Bag
Content amount	1 ST
EAN	4024941028950
Length	94 mm
Width	94 mm
Height	96.5 mm
Weight	0.303 kg
Volume	852.674 ccm
Packaging	Carton
Content amount	10 ST
EAN	4024941819206
Length	325 mm
Width	217 mm
Height	210 mm
Weight	3.226 kg
Volume	13,588.4 ccm



Ampere	16	16	16	32	32	32
Polzahl	3	4	5	3	4	5
a	85,0	85,0	85,0	85,0	85,0	85,0
b	85,0	85,0	85,0	85,0	85,0	85,0
c	70,0	70,0	70,0	70,0	70,0	70,0
d	70,0	70,0	70,0	70,0	70,0	70,0
e ø	6,3	6,3	6,3	6,3	6,3	6,3
f	11,0	11,0	11,0	11,0	11,0	11,0
h	84,0	84,0	85,0	94,0	94,0	94,0
i	82,5	86,0	91,0	96,5	96,5	104,0
k ø	70,5	78,5	86,5	94,0	94,0	101,5
l ø	49,0	49,0	49,0	49,0	49,0	49,0
Leiter mm ² min	1,0	1,0	1,0	2,5	2,5	2,5
Leiter mm ² max	2,5	2,5	2,5	6,0	6,0	6,0