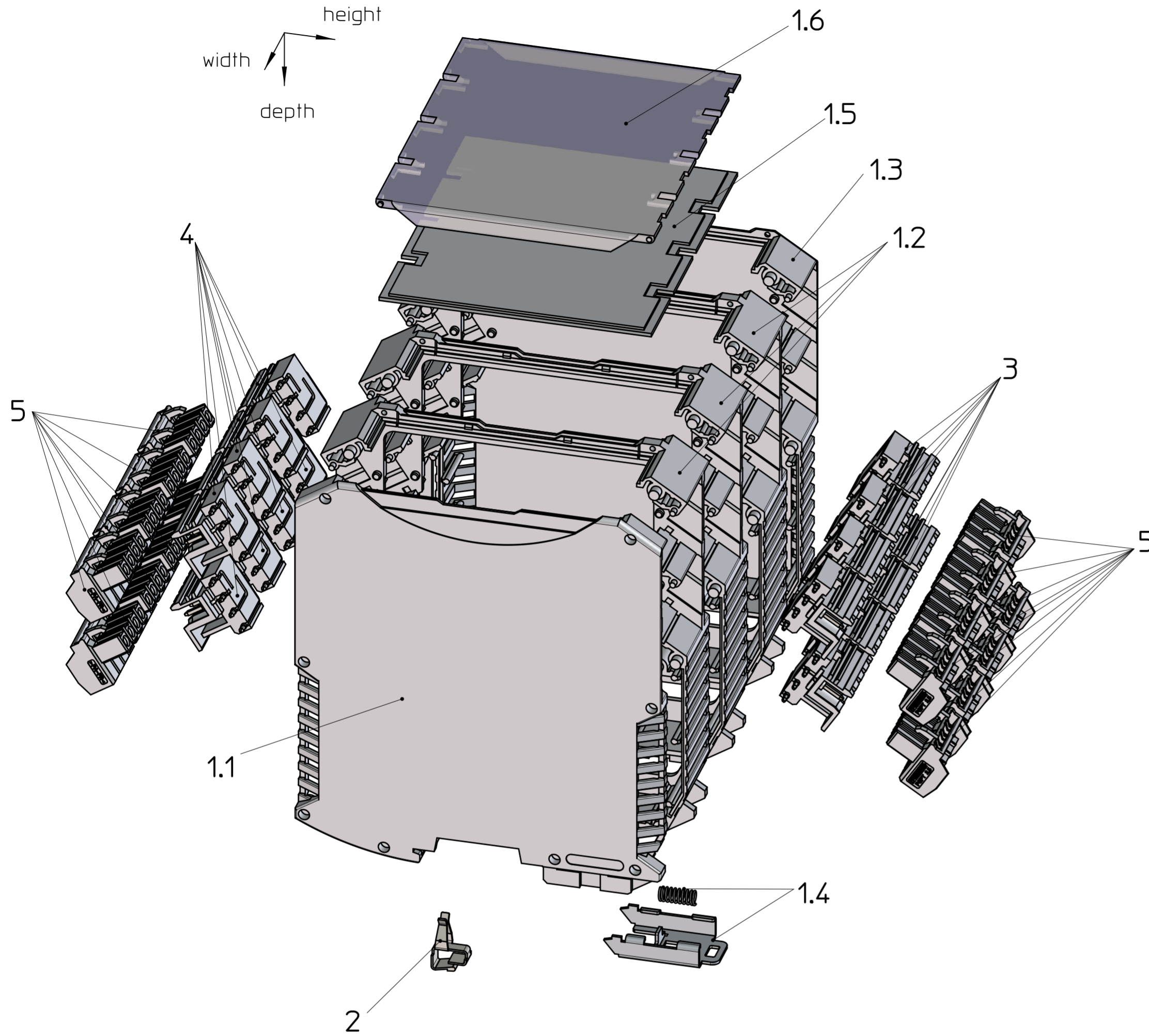
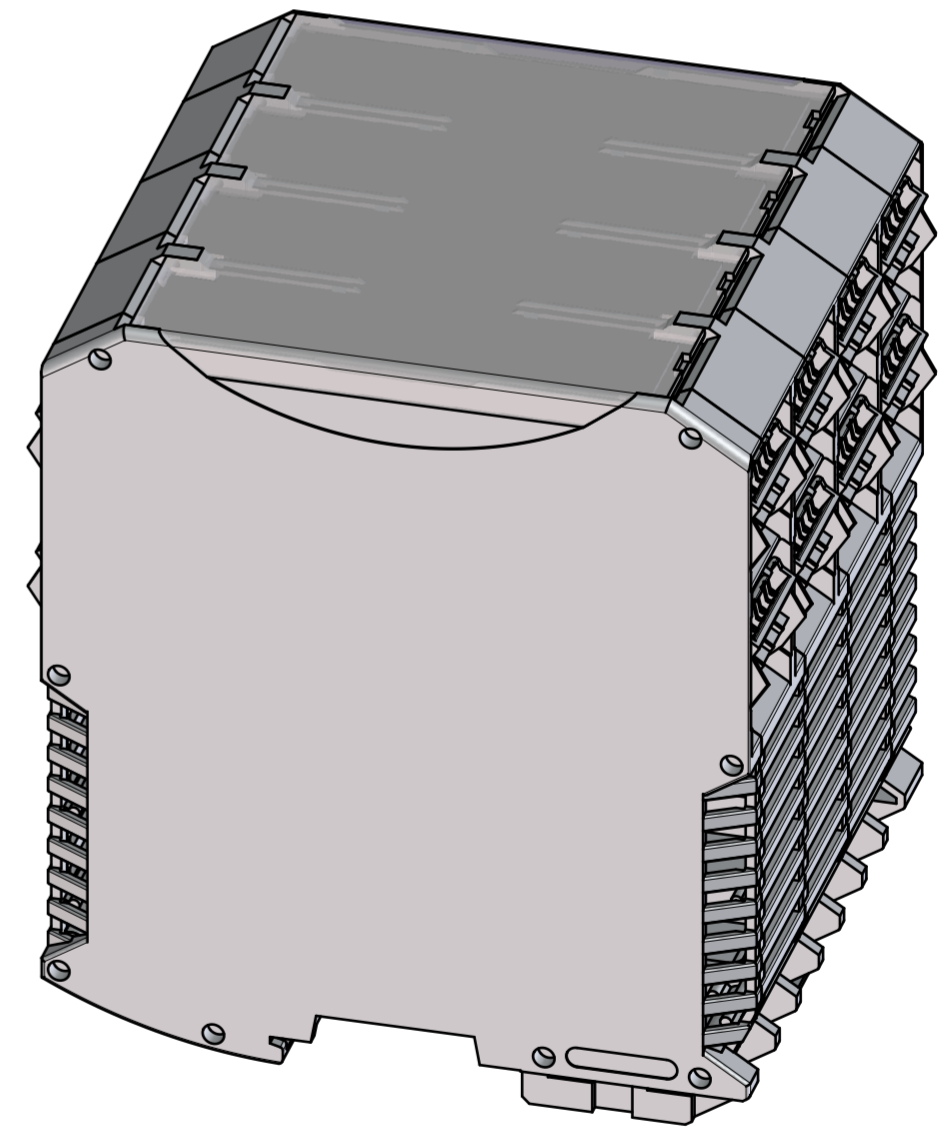
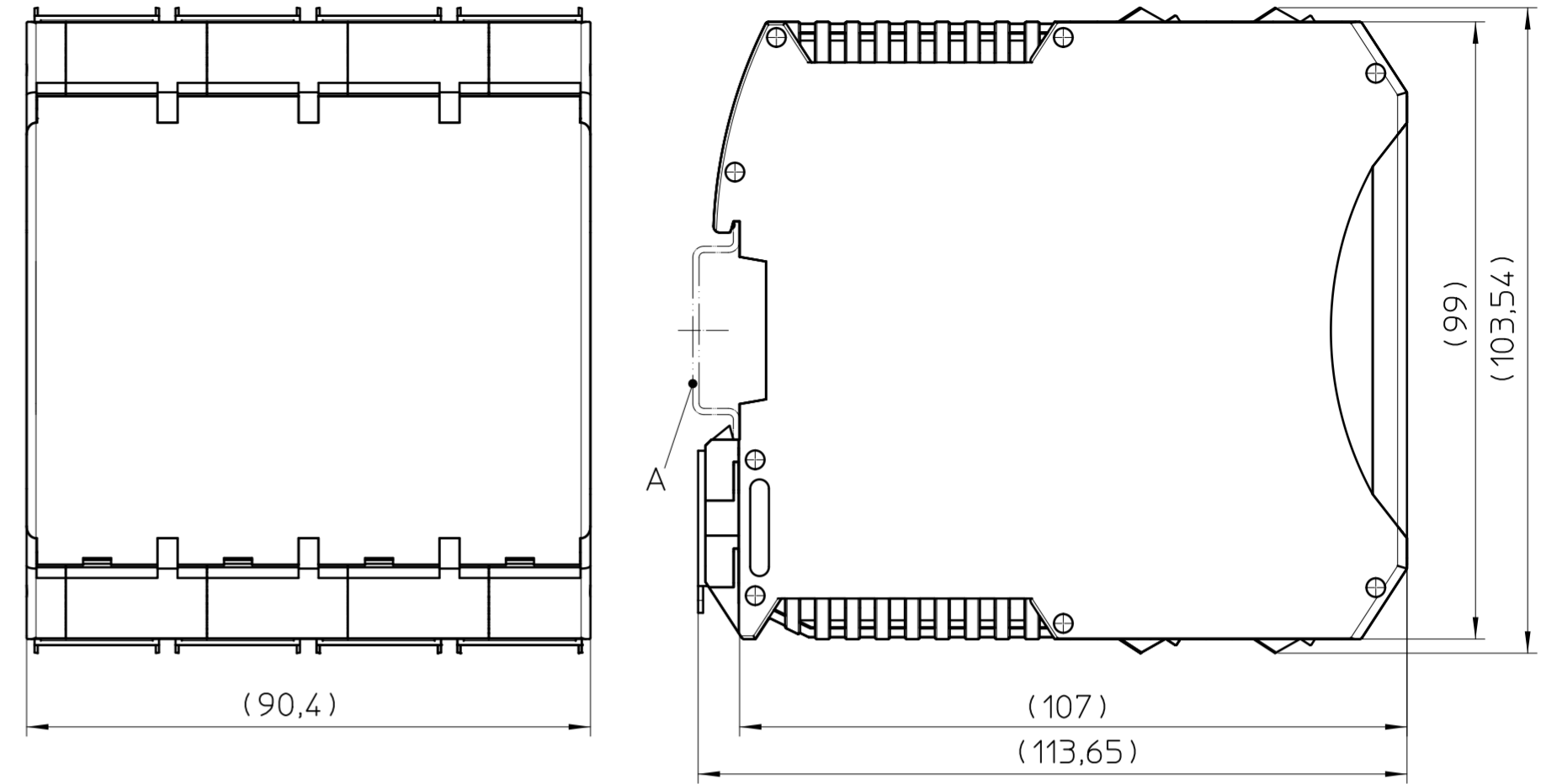


Transfer or duplication of this document as well as the utilisation or communication of its content are not permitted unless express consent is granted. Violations give rise to claims for damages. All rights reserved in case of patent, utility model or design patent registrations. Tolerance specifications do not include clearances inherent in the design.

Weitergabe sowie Vervielfältigung dieses Dokuments, Verwertung und Mitteilung seines Inhalts sind verboten, soweit nicht ausdrücklich gestattet. Zuwiderhandlungen verpflichten zu Schadensersatz. Alle Rechte für den Fall der Patent-, Gebrauchsmuster- oder Designeintragung vorbehalten. Bauabfertigungsspiel ist in den Toleranzangaben nicht berücksichtigt.



Assembly example



KIT (not mounted)			
Pos.	QTY	Description	Item number
1.1	1	HOUSING LEFT	2200529
1.2	3	HOUSING MIDDLE	
1.3	1	HOUSING RIGHT	
1.4	1	FOOT CATCH + SPRING	
1.5	1	PLATE	
1.6	1	COVER	
2	1	FE-CONTACT	2278076
3	8	HEADER LEFT	2907774
4	8	HEADER RIGHT	2907787
5	16	PLUG	2202344

General Information:

- A. Mounting rail according to EN 60715, TH 35-7,5 or mounting rail similar to EN 60715, TH 35-15x1,5
- APP3D assembly contains PCB outline compatible with TBUS item number 2713722
- Further information see: www.phoenixcontact.com - item number

	document-no. / ri	article-no.	scale	- Simplified representation - Document excluded from change process - Linear dimensions (mm)
	01458532 / 01	1457228	1:1	
	date	document-type		
	04.09.2025	TECDOC 2D_Productdrawing		
description		ME MAX 90-SKT-2-2-7035+16PSPT4		
page 1	of 1			