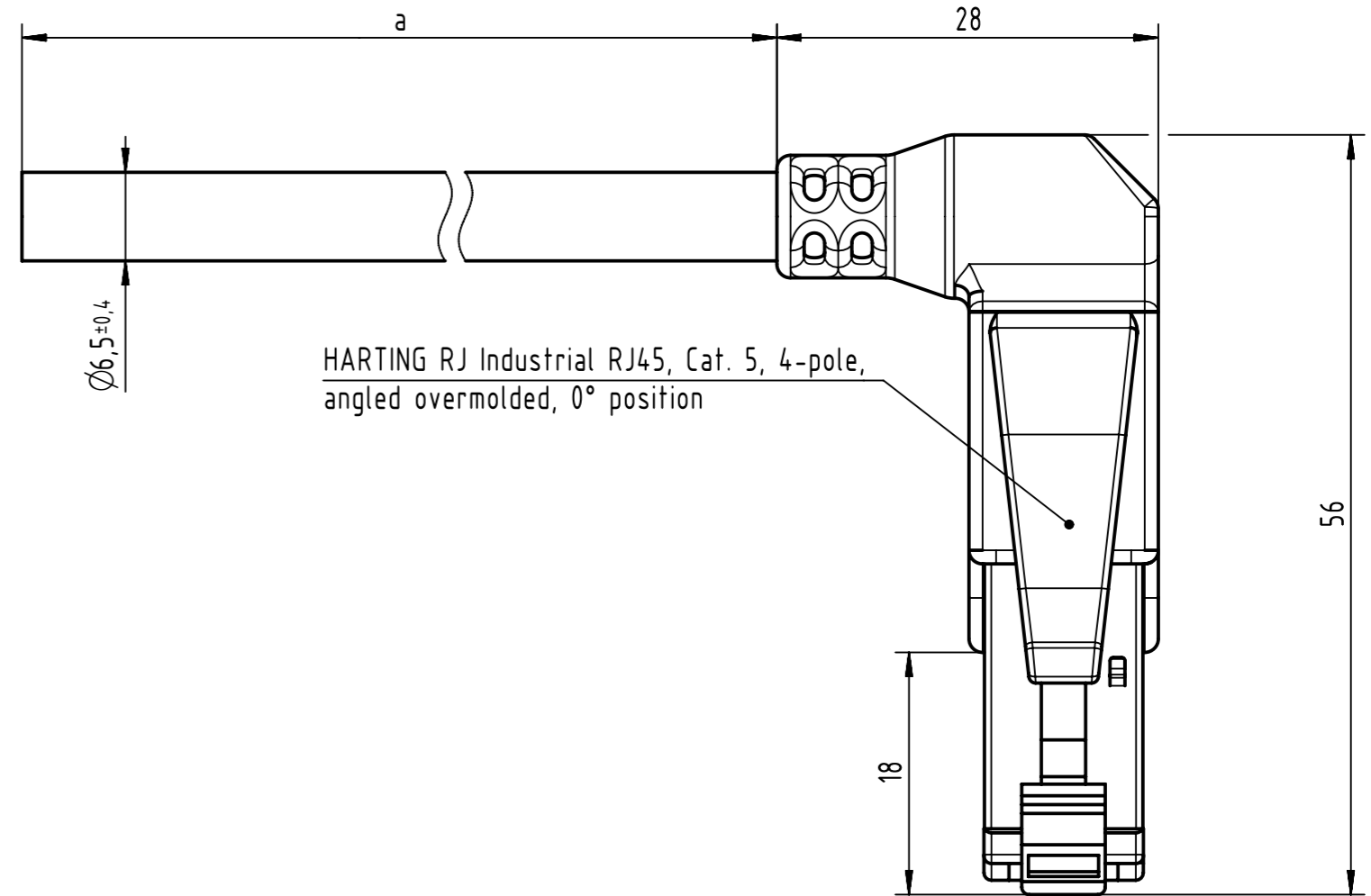
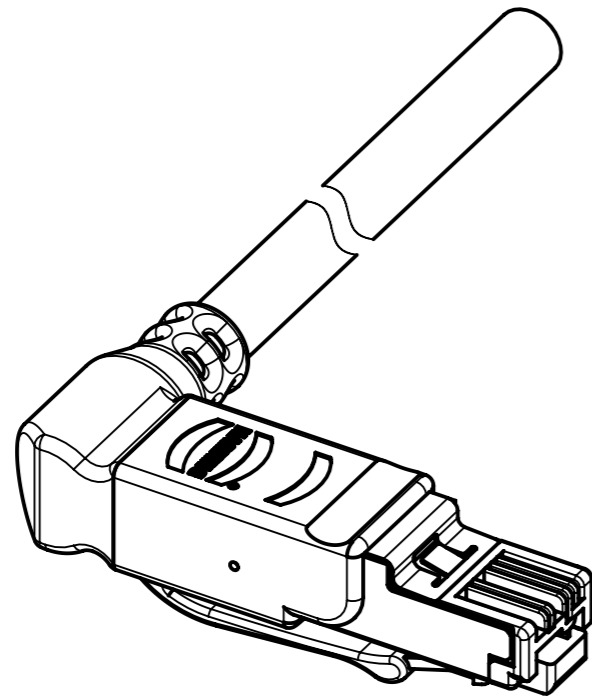


Connector Location A

Connector Location B

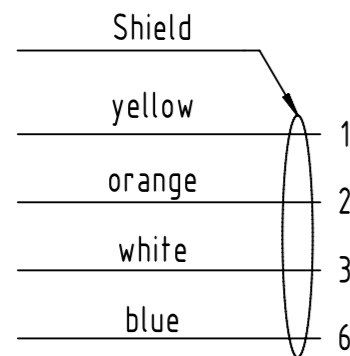


HARTING RJ Industrial RJ45, Cat. 5, 4-pole, angled overmolded, 0° position

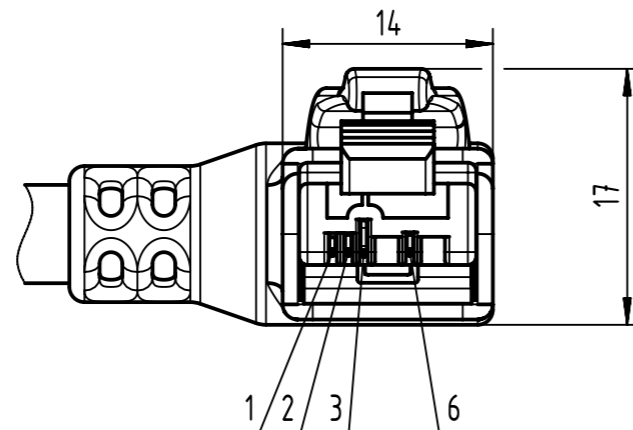
Mating face RJ45 acc. to IEC 60603-7



Loading Plan





X  
male



- Protection level: IP20
- Temperature range: -30°C ... +70°C

	All rights reserved		Created by COSTEA		Inspected by 402676 Costea		Standardisation MUNTEANV Muntean		Date 2023-06-08		State Final Release	
	Department HCS - RO		Title RJ Industrial Cable Assembly		Doc-Key / ECM-Nr. 100177621/UGD/010/G 500000245661		Rev. G		Page 1/2			
HARTING Customised Solutions D-32339 Espelkamp			Type TB		Number 09470600XXX							

1	2	3	4	5	6	7	8				
A	52	09470600052	HAR PROFINET Typ C 4xAWG 22/7 PUR Trail. green	6 ±0.06	90	09470600090	Ha-Vis EtherRail 4xAWG 22/7 CAT5 black	0.5 ±0.01			
	51	09470600051		5 ±0.05				89	09470600088	100 ±1	
	50	09470600050		4 ±0.04				88	09470600087	90 ±0.9	
	49	09470600049		3 ±0.03				87	09470600086	80 ±0.8	
	48	09470600048		2 ±0.02				86	09470600085	70 ±0.7	
	47	09470600047		1.5 ±0.015				85	09470600084	60 ±0.6	
	46	09470600046		1 ±0.01				84	09470600083	50 ±0.5	
	45	09470600045		0.5 ±0.01				83	09470600082	40 ±0.4	
B	44	09470600044		HAR PROFINET Typ B 4xAWG 22/7 PVC green		100 ±1			82	09470600081	30 ±0.3
	43	09470600043				90 ±0.9			81	09470600080	20 ±0.2
	42	09470600042	80 ±0.8			80	09470600079	15 ±0.15			
	41	09470600041	70 ±0.7			79	09470600089	13 ±0.13			
	40	09470600040	60 ±0.6			78	09470600078	10 ±0.1			
	39	09470600039	50 ±0.5			77	09470600077	9 ±0.09			
	38	09470600038	40 ±0.4			76	09470600076	8 ±0.08			
	37	09470600037	30 ±0.3			75	09470600075	7 ±0.07			
	36	09470600036	20 ±0.2			74	09470600074	6 ±0.06			
	35	09470600035	15 ±0.15			73	09470600073	5 ±0.05			
C	34	09470600034	HAR PROFINET Typ A 4xAWG 22/1 PVC green	10 ±0.1		72	09470600072	4 ±0.04			
	33	09470600033		9 ±0.09		71	09470600071	3 ±0.03			
	32	09470600032		8 ±0.08		70	09470600070	2 ±0.02			
	31	09470600031		7 ±0.07		69	09470600069	1.5 ±0.015			
	30	09470600030		6 ±0.06		68	09470600068	1 ±0.01			
	29	09470600029		5 ±0.05		67	09470600067	0.5 ±0.01			
	28	09470600028		4 ±0.04		66	09470600066	100 ±1			
	27	09470600027		3 ±0.03		65	09470600065	90 ±0.9			
	26	09470600026		2 ±0.02		64	09470600064	80 ±0.8			
	25	09470600025		1.5 ±0.015		63	09470600063	70 ±0.7			
D	24	09470600024	HAR PROFINET Typ C 4xAWG 22/7 PUR Trail. green	100 ±1		62	09470600062	60 ±0.6			
	23	09470600023		90 ±0.9		61	09470600061	50 ±0.5			
	22	09470600022		80 ±0.8		60	09470600060	40 ±0.4			
	21	09470600021		70 ±0.7		59	09470600059	30 ±0.3			
	20	09470600020		60 ±0.6		58	09470600058	20 ±0.2			
	19	09470600019		50 ±0.5		57	09470600057	15 ±0.15			
	18	09470600018		40 ±0.4		56	09470600056	10 ±0.1			
	17	09470600017		30 ±0.3		55	09470600055	9 ±0.09			
	16	09470600016		20 ±0.2		54	09470600054	8 ±0.08			
	15	09470600015		15 ±0.15		53	09470600053	7 ±0.07			
E	14	09470600014	HAR PROFINET Typ B 4xAWG 22/7 PVC outdoor black	10 ±0.1		Cont. no.	Part no.	Type of cable	Dim. a[m]		
	13	09470600013		9 ±0.09		 All Dimensions in mm    Tech. Character.    Free size tol.    According to production drawing					
	12	09470600012		8 ±0.08		 All rights reserved    Created by COSTEA Costea    Inspected by 402676 Gross    Standardisation MUNTEANV Muntean    Date 2023-06-08    State Final Release					
	11	09470600011		7 ±0.07		Title RJ Industrial Cable Assembly    Doc-Key / ECM-Nr. 100177621/UGD/010/G 50000245661					
	10	09470600010		6 ±0.06		HARTING Customised Solutions    Type TB    Number 09470600XXX    Rev. G    Page 2/2					
	9	09470600009		5 ±0.05		D-32339 Espelkamp					
	8	09470600008		4 ±0.04							
	7	09470600007		3 ±0.03							
	6	09470600006		2 ±0.02							
	5	09470600005		1.5 ±0.015							
F	4	09470600004	HAR PROFINET Typ A 4xAWG 22/1 PVC green	1 ±0.01							
	3	09470600003		0.5 ±0.01							
	2	09470600002									
	1	09470600001									
	Cont. no.	Part no.		Type of cable	Dim. a[m]						