

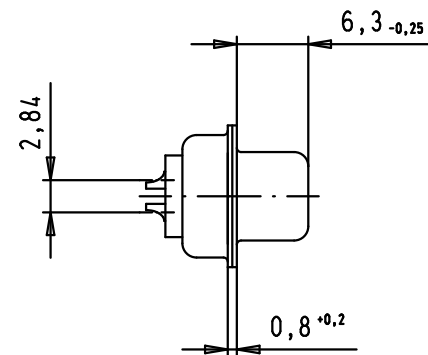
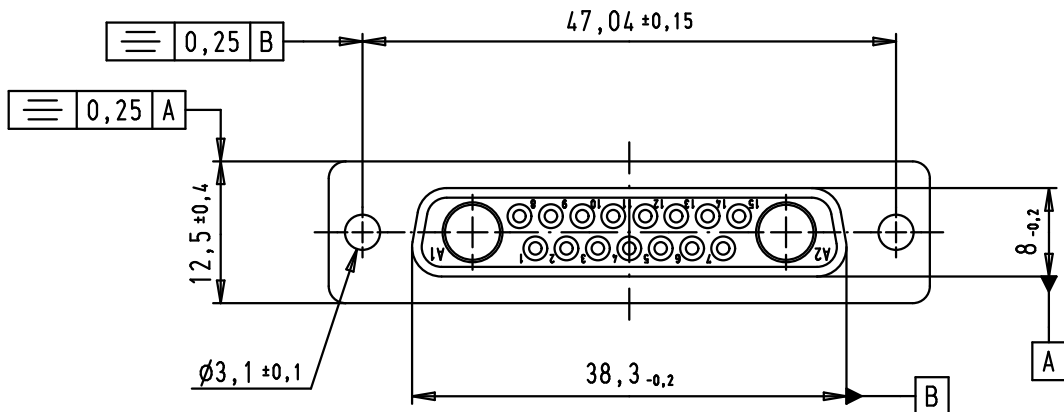
5

4

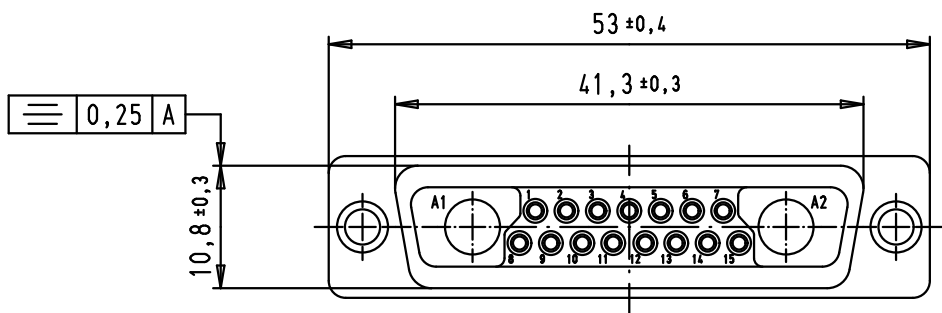
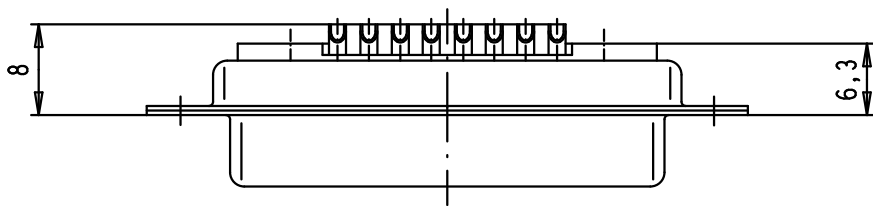
3

2

1



Solder bucket termination for AWG 20



|         |          |      |               |          |      |                   |                                      |
|---------|----------|------|---------------|----------|------|-------------------|--------------------------------------|
|         |          |      |               | Det.     | Name |                   | All Dim. in mm<br>Orig. Size DIN A 4 |
|         |          |      | Detail.       | 21/04/10 | PK   |                   |                                      |
|         |          |      | Insp.         |          |      |                   |                                      |
|         |          |      |               | Stand.   |      |                   |                                      |
| EC01706 | 21/04/10 | SC   | HARTING EURL  |          |      | TB 09 69 301 x172 | Blatt/ Page<br>1 / 1                 |
| 34390   | 26/07/07 | PK   | F-95972 Paris |          |      |                   |                                      |
| Mod.    | Det.     | Name |               |          |      | Sub.              |                                      |

D-Sub, 17W2, female, straight, solder buckets, tin plated shell

Maßstab/  
Scale  
1,5:1

|                |                   |
|----------------|-------------------|
| 09 69 301 7172 | PL3               |
| 09 69 301 5172 | S4                |
| Part number    | Performance level |