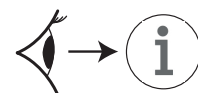
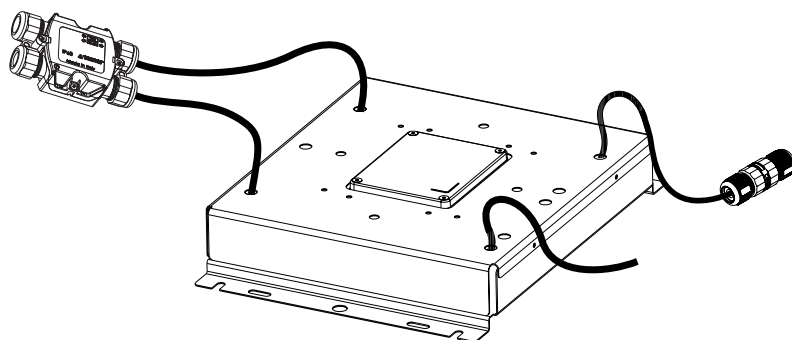


# SMART PRO 2.0

# GEWISS

## GWP2901

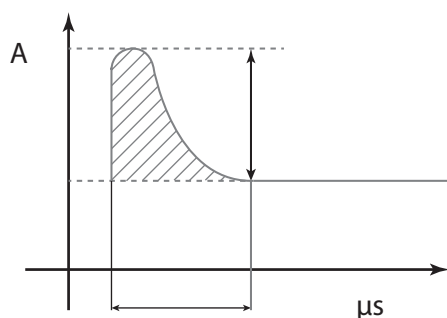
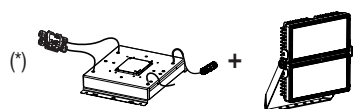


**IP66**



+50°C  
-30°C

	<b>Kg</b>	<b>P<sup>(*)</sup></b>	<b>V<sub>in</sub></b>	<b>I<sub>out</sub></b>	<b>U<sub>out</sub></b>	<b>t<sub>a</sub></b>
	6,2	Max. 660 W	220-240 V 50/60 Hz	Max. 0,7 A	500 V $\overline{\text{---}}$	50°C



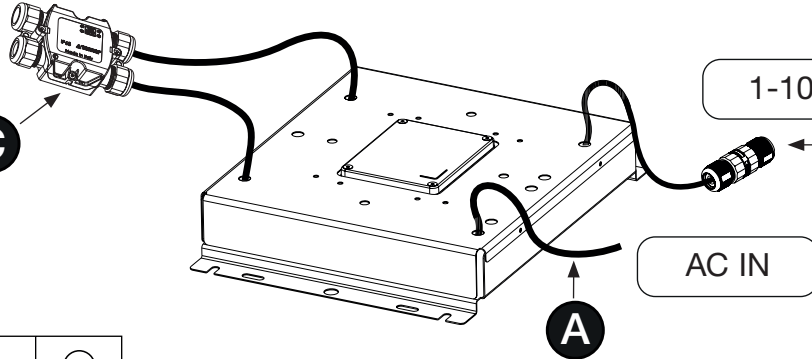
	<b>I<sub>LED</sub></b>	<b>LED driver Inrush Current Peak and Width</b>
1-10V	Max. 700 mA	120Ax2 / 400μs

MCB Type B:	10A	16A	20A
	1	3	3
MCB Type C:	10A	16A	20A
	2	3	4
MCB Type D:	10A	16A	20A
	2	4	5



DC OUT

C



1-10V

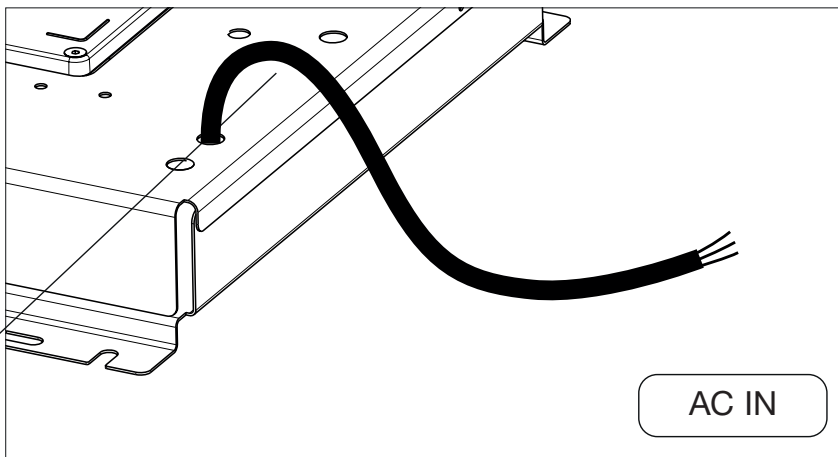
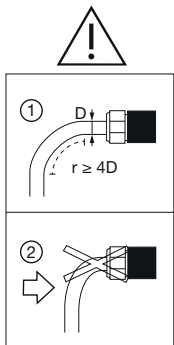
B

AC IN

A

220-240V 50/60Hz	↔	DIMMING 1-10V	→	
---------------------	---	------------------	---	--

A

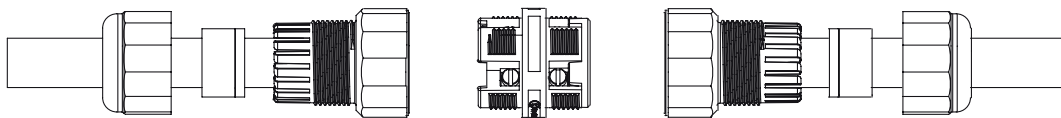


AC IN

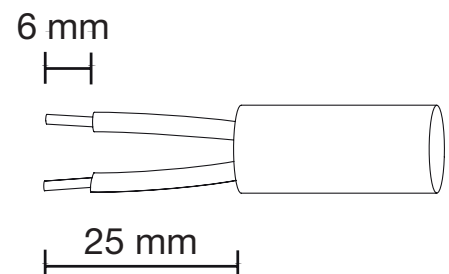
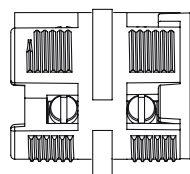
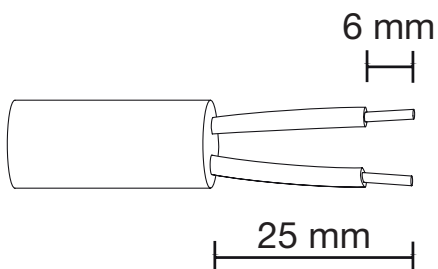


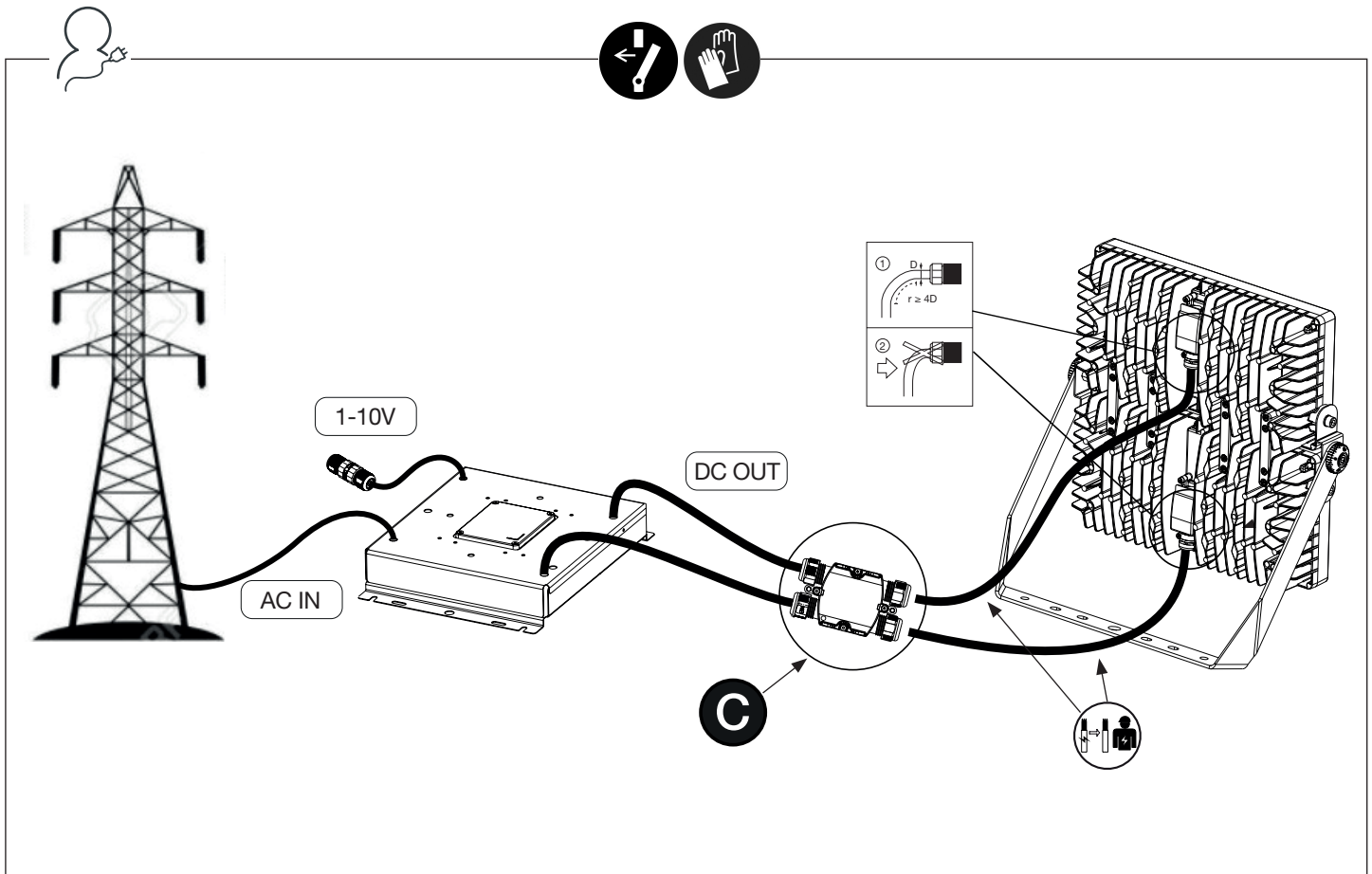
L	=	L
N	=	N
⊕	=	⊕

B

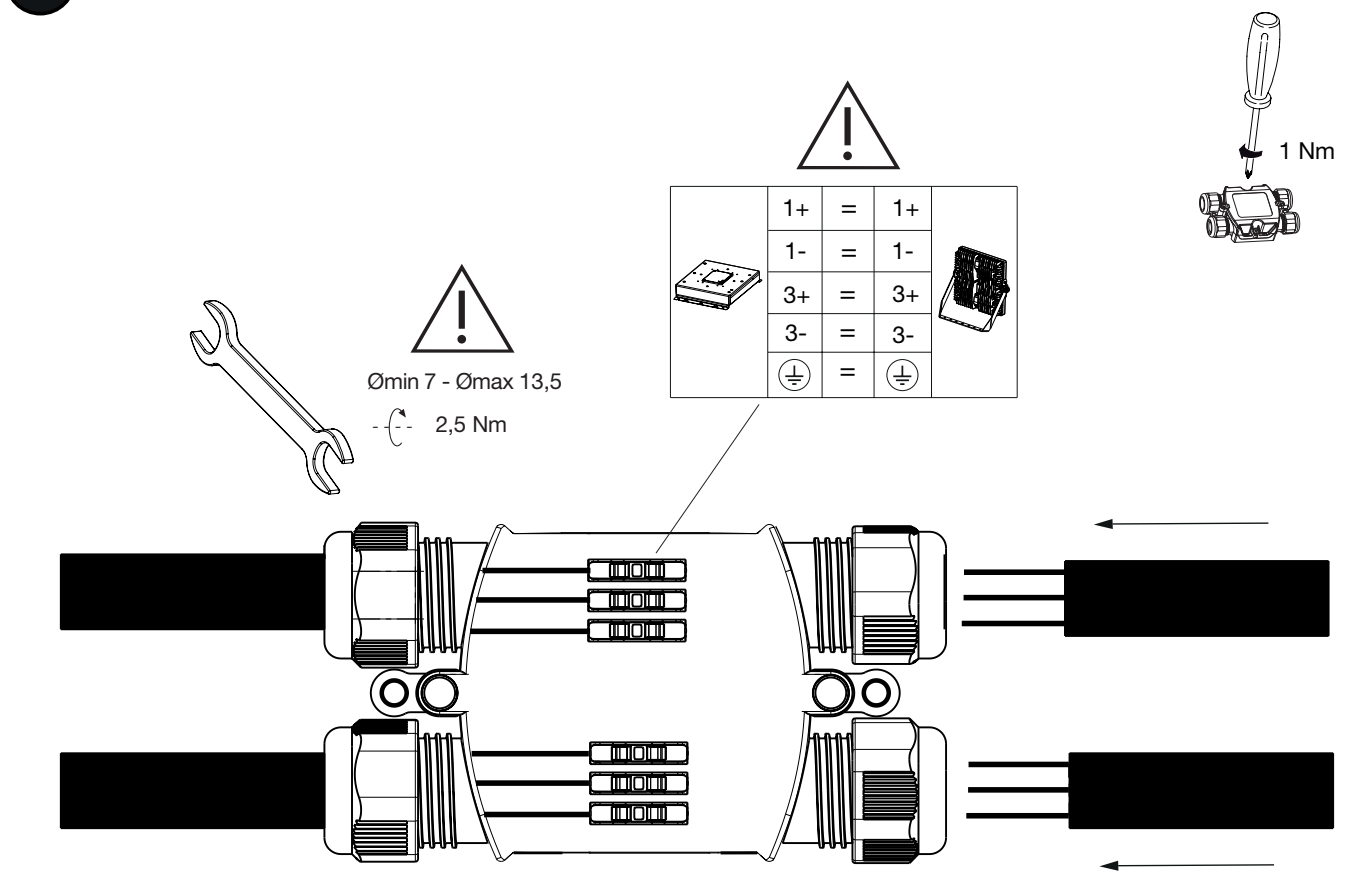


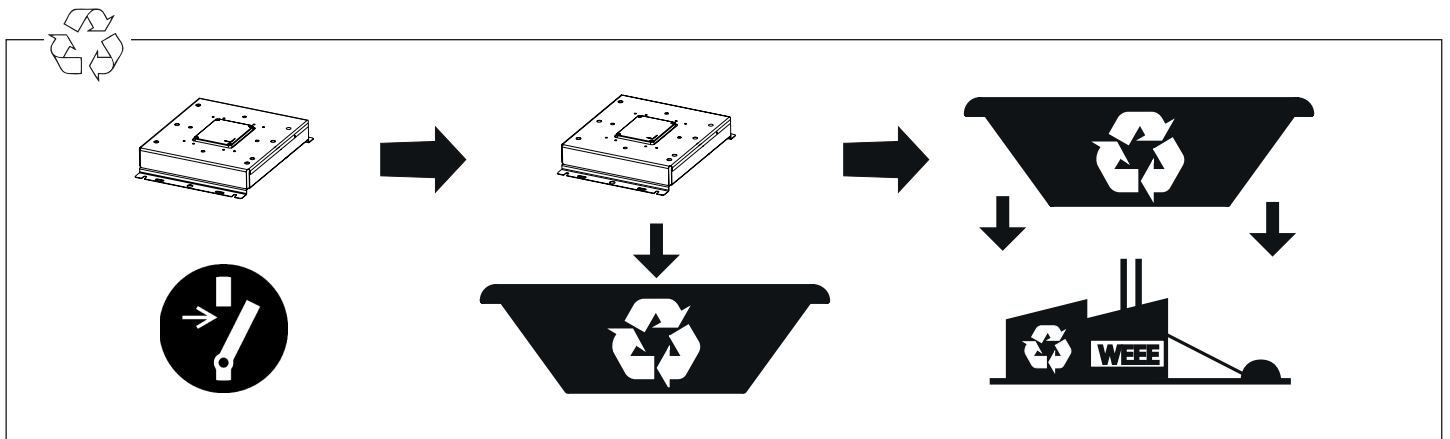
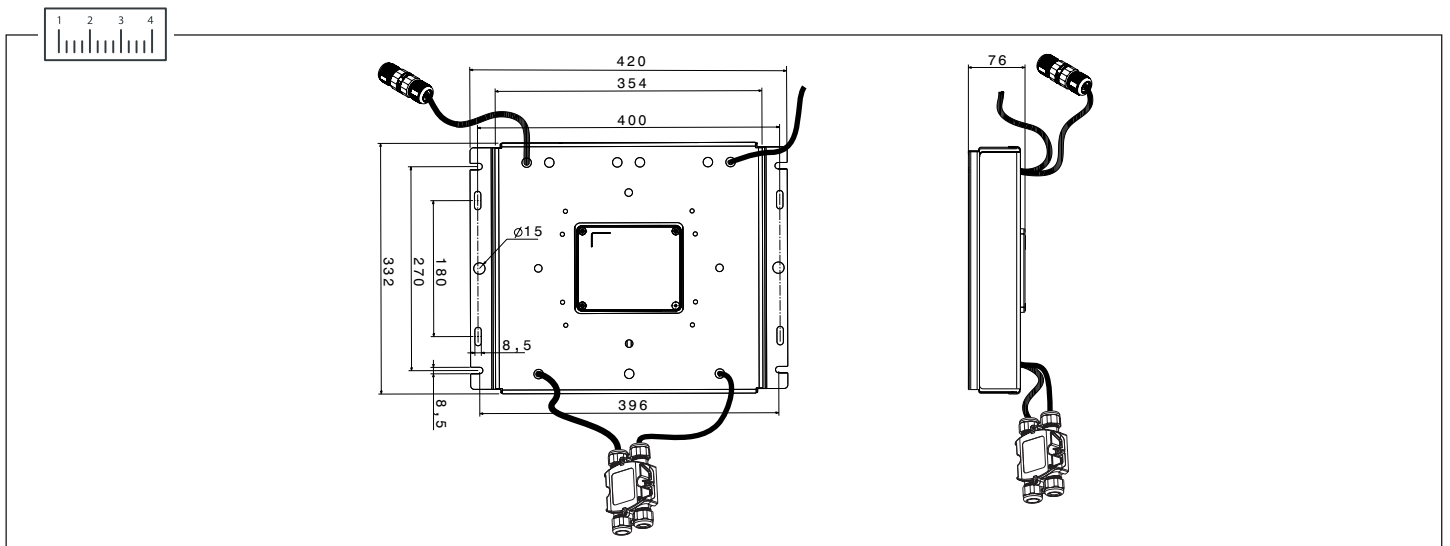
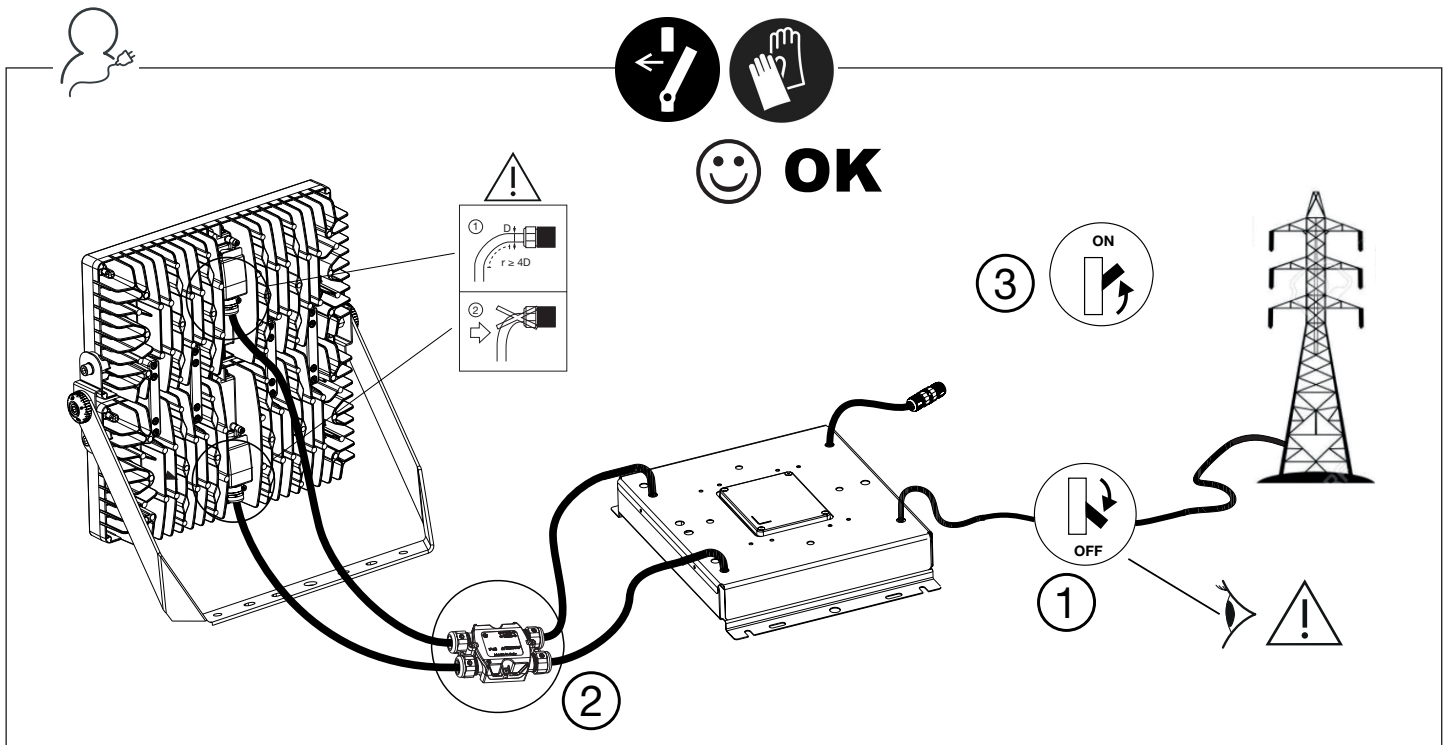
1-10V		
3	=	DIM+
2	=	DIM-





## **C**





Punto di contatto indicato in adempimento ai fini delle direttive e regolamenti UE applicabili:  
 Contact details according to the relevant European Directives and Regulations:  
 GEWISS S.p.A. Via A.Volta, 1 IT-24069 Cenate Sotto (BG) Italy tel: +39 035 946 111 E-mail: qualitymarks@gewiss.com

According to applicable UK regulations, the company responsible for placing the goods in UK market is:  
 GEWISS UK LTD - Unity House, Compass Point Business Park, 9 Stocks Bridge Way, ST IVES  
 Cambridgeshire, PE27 5JL, United Kingdom tel: +44 1954 712757 E-mail: gewiss-uk@gewiss.com

**+39 035 946 11**  
 8:30 - 12:30 / 14:00 - 18:00  
 lunedì - venerdì / monday - friday

[www.gewiss.com](http://www.gewiss.com)

