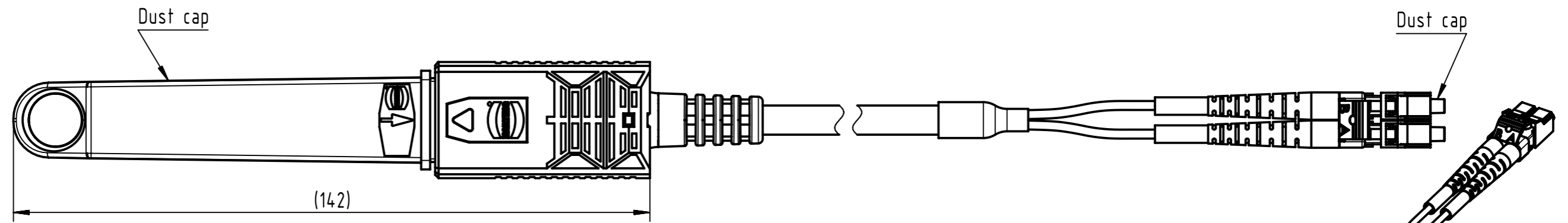
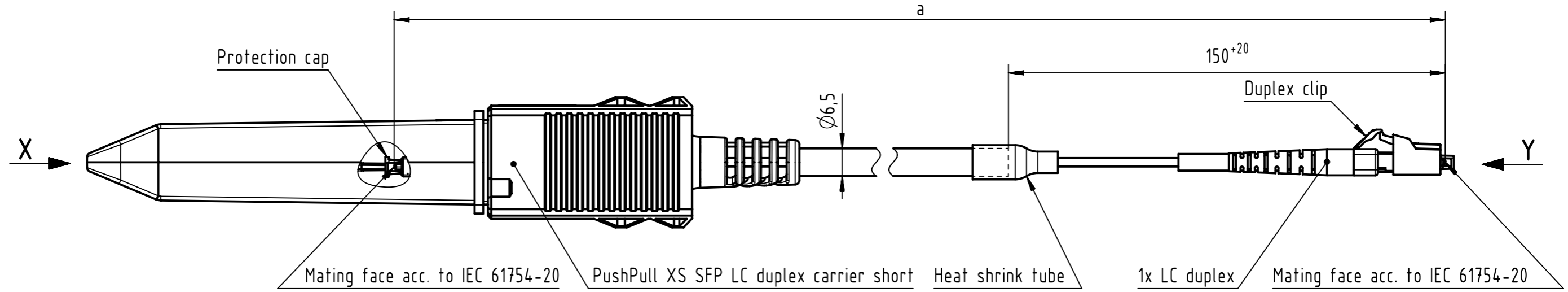


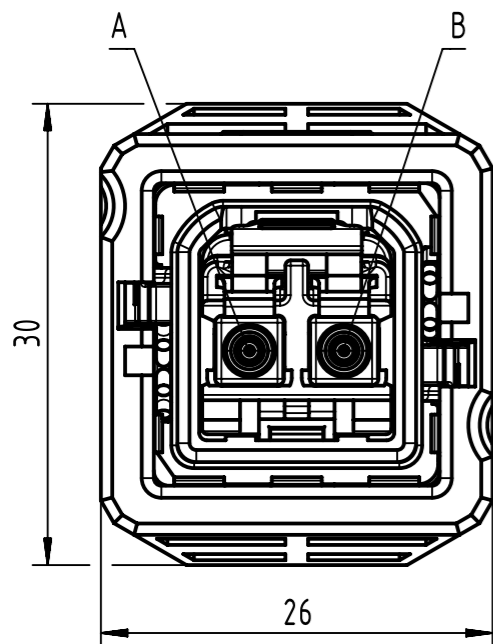
Connector Location A

Connector Location B

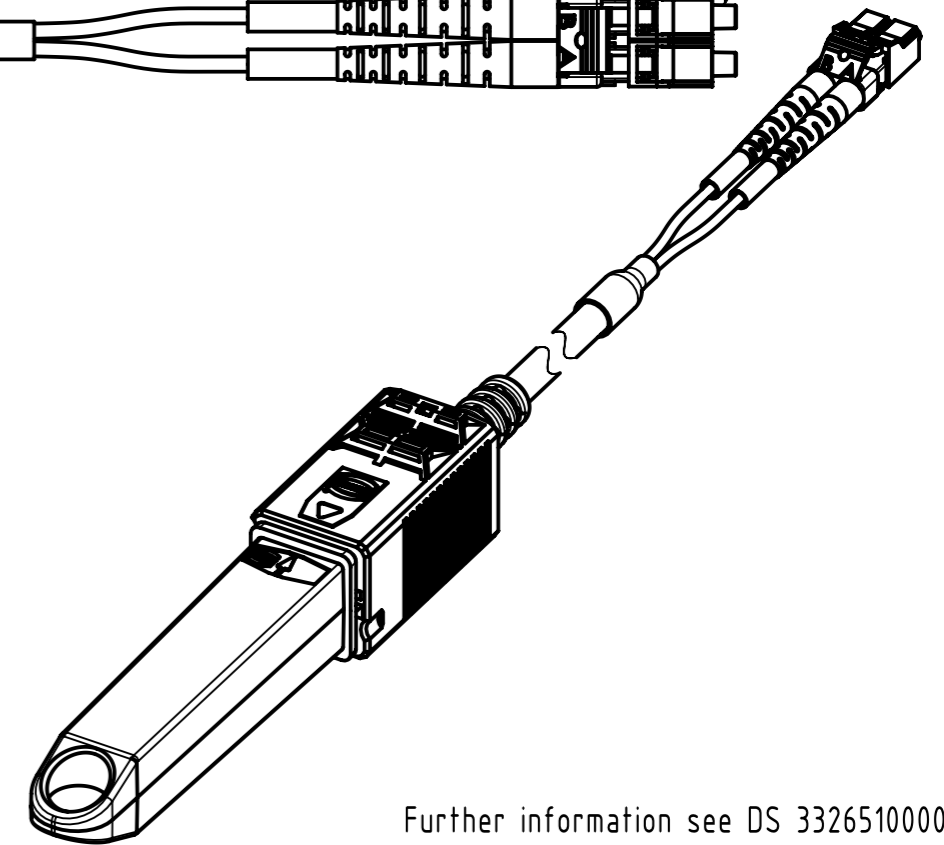
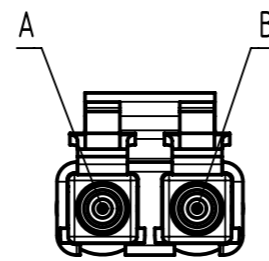
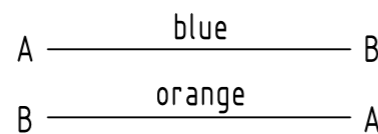


X
male
(without dust cap and protection cap)

Y
male
(without dust cap)




Loading Plan



Further information see DS 33265100000

	All rights reserved		Created by COSTEA Costea		Inspected by 402676 Gross		Standardisation MUNTEANV Muntean		Date 2023-04-05		State Final Release		
	Department HCS - RO		Title PP XS LCdx Sh - LCdx, SM Assy		Type TB		Number 332623XXXX0017		Doc-Key / ECM-Nr. 100572207/UGD/030/F 50000240599		Rev. F		
HARTING Customised Solutions D-32339 Espelkamp												Page 1/2	

1	2	3	4	5	6	7	8
A							
B							
C	28	33262311000017	FO Cable, 2-channel, SM, 9/125µm, PUR, black	100	±1%		
	27	33262310900017		90			
	26	33262310800017		80			
	25	33262310700017		70			
	24	33262310600017		60			
	23	33262310500017		50			
	22	33262310450017		45			
	21	33262310400017		40			
	20	33262310350017		35			
	19	33262310300017		30			
D	18	33262310250017		25			
	17	33262310200017		20			
	16	33262310150017		15			
	15	33262310140017		14			
	14	33262310130017		13			
	13	33262310120017		12			
	12	33262310110017		11			
	11	33262310100017		10			
E	10	33262310090017		9			
	9	33262310080017		8			
	8	33262310070017		7			
	7	33262310060017		6			
	6	33262310050017		5			
	5	33262310040017		4			
F	4	33262310030017		3	±0.03		
	3	33262310020017		2			
	2	33262310010017		1			
	1	33262330500017		0.5			
	Cont. no.	Part no.	Type of cable	Dim. a[m]			
1							

	All rights reserved Department HCS - RO	Created by COSTEA Costea	Inspected by 402676 Gross	Standardisation MUNTEANV Muntean	Date 2023-04-05	State Final Release	Doc-Key / ECM-Nr. 100572207/UGD/030/F 50000240599
HARTING Customised Solutions D-32339 Espelkamp		Title PP XS LCdx Sh - LCdx, SM Assy		Number 332623XXXX0017		Rev. F	Page 2/2