

## Three way connector TN - Belgian/French standard



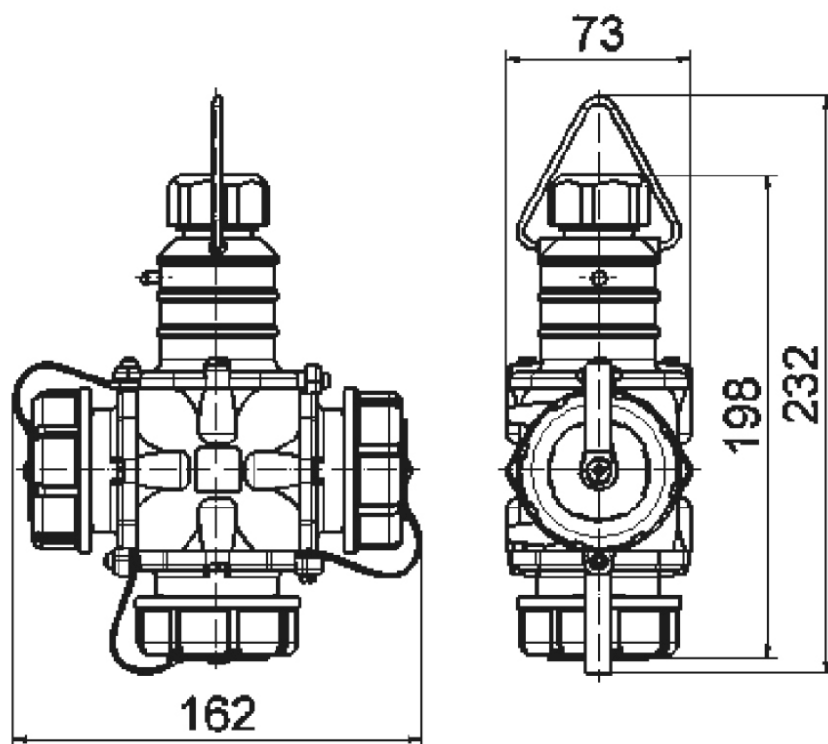
Product description	
BALS-Prd.-Nr	7423
EAN	4024941074230
Product category	TN three-way domestic connector
Current	16A
Number of poles	3p
Poles	2P+PE
Voltage	250V
Frequency	alternating current (AC)
Protection degree	IP67

Product description	
Colour code	bronze-green RAL 6031-F9
Colour of appliance	Hinged lid bronze-green RAL 6031-F9, Enclosure bronze-green RAL 6031-F9
Connection design	head-screw terminal
Maximum conductor size	2,5 qmm
Cable entry	Cable gland
Height	232mm
Width	162mm
Depth	73mm
Material of enclosure	rubber
Contact	The contact carrier is made of high temperature resistant material, the contacts are brass nickel plated

Additional technical properties	
	With earth contact Belgian/French standard
	For cable diameter up to max. 18.0 mm, With cable gland
	With bayonet cover on strap, With closure cap

Logistics data	
Weight/pcs	0.61 kg / Piece
Packaging	Bag
Content amount	1 ST

Logistics data	
EAN	4024941074230
Length	73 mm
Width	162 mm
Height	232 mm
Weight	0.611 kg
Volume	2,743.632 ccm
Packaging	Carton
Content amount	2 ST
EAN	4024941840248
Length	275 mm
Width	175 mm
Height	137 mm
Weight	1.345 kg
Volume	5,737.5 ccm



18 MB 27