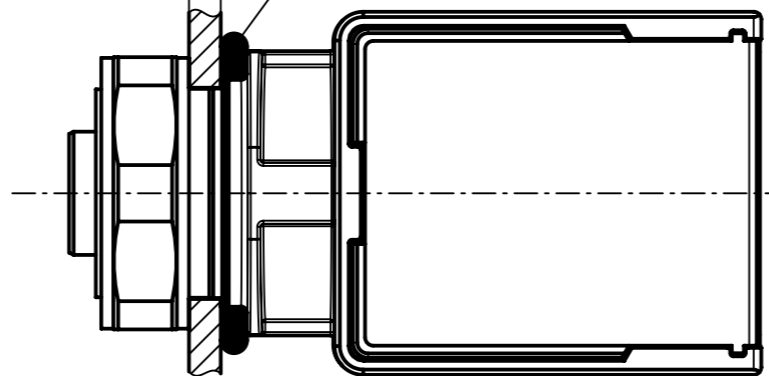


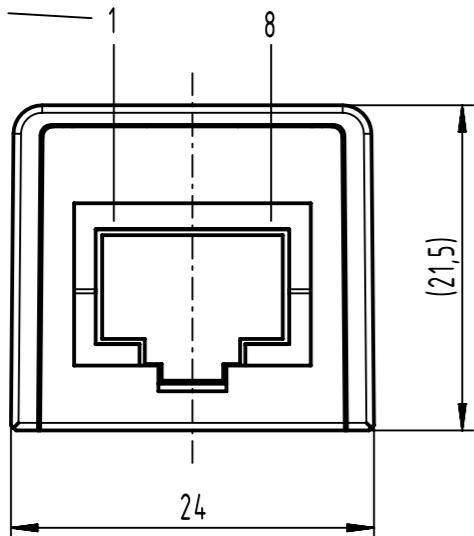
wall thickness 2,1-4,5

seal compressed



mating face acc. to IEC 60603-7

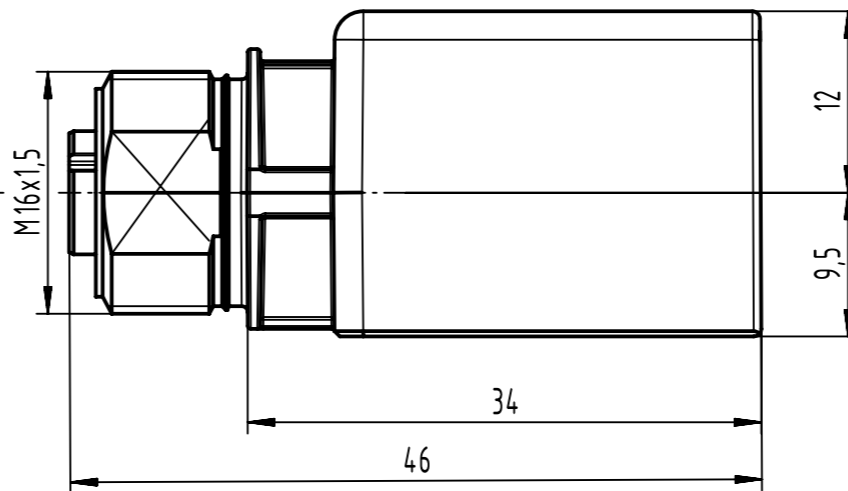
contact position



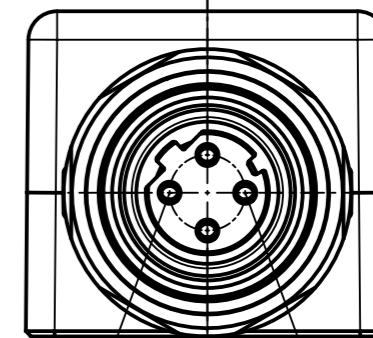
SW18

A

M16x1,5



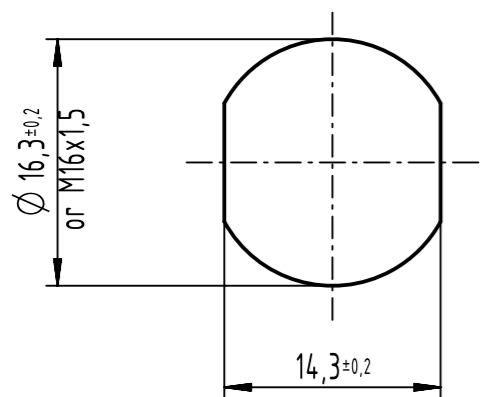
contact position



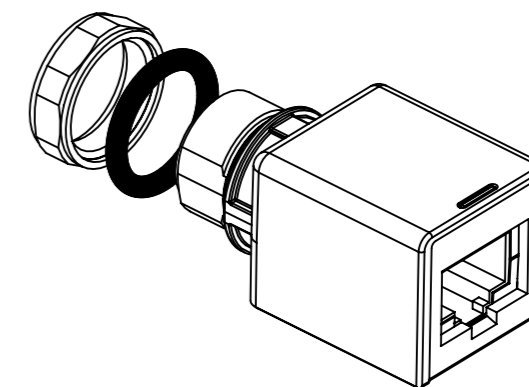
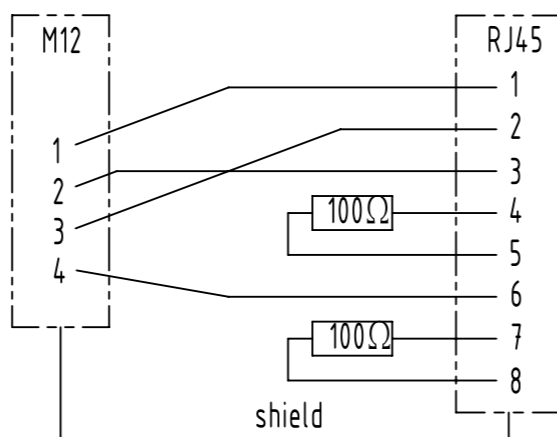
contact position

1 4 3

A
panel cut out



circuit diagram



	All rights reserved Department EL PD	All Dimensions in mm Original Size DIN A3		Scale 2:1	Free size tol.	Ref.
		Created by PREOTU	Inspected by PREOTU	Standardisation ROEBEN	Date 2023-07-03	State Final Release
HARTING D-32339 Espelkamp		Title FKSDD-RJ45SF-44			Doc-Key / ECM-Nr. 100513256/UGD/021/A 50000248716	
		Type TB	Number 21573812401		Rev. A	Page 1/1