

Plug - with screwless terminals, for harsh applications



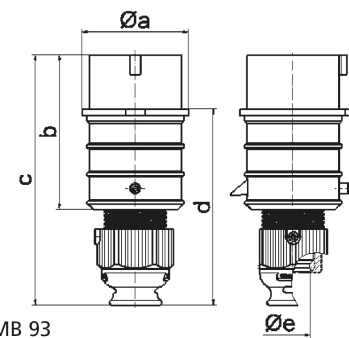
Product description	
BALS-Prd.-Nr	210238
EAN	4024941060325
product category (PG)	QUICK-CONNECT TE plug
current (A)	32A
number of poles (P99)	5p
number of poles (P)	3p+N+PE
position of earth contact (H)	1 h
voltage (V)	>50V for all other not classified voltages and/or frequencies. This time position can additionally process in special applications, in which a distinction to standardized positions needed to be used.

Product description	
protection degree (SA)	IP44
colour code 1 (KF1)	gray RAL 7035
Colour of appliance	Housing cover grey RAL 7035, Cable gland grey RAL 7035, Collar grey RAL 7035
connection design (AT)	screwless spring-clamp technology
maximum conductor size (LQ)	6,0 qmm
cable entry (KE)	Cable gland
Height	181mm
Width	72mm
Depth	87mm
material of enclosure (GM)	Polyamide
contact	The contact carrier is made of high temperature resistant material, the contacts are brass nickel plated

Additional technical properties	
	For cable diameter from 13 up to max. 27 mm, Multi-Grip cable gland with gasket, integrated cable clamp and additional water evacuation openings

Logistics data	
Weight/pcs	0.289 kg / Piece
Packaging	Bag
Content amount	1 ST
EAN	4024941060325

Logistics data	
Length	87 mm
Width	72 mm
Height	181 mm
Weight	0.29 kg
Volume	1,133.784 ccm
Packaging	Carton
Content amount	10 ST
EAN	4024941824613
Length	258 mm
Width	183 mm
Height	212 mm
Weight	3.042 kg
Volume	8,750 ccm



2 MB 93

Ampere	16	16	16	32	32	32
Polzahl	3	4	5	3	4	5
a ø	51,0	57,5	65,0	66,0	66,0	72,0
b	95,0	95,0	97,0	118,0	118,0	117,0
c	145,0	145,0	152,0	178,0	178,0	181,0
d	109,0	109,0	116,0	133,0	133,0	135,5
e ø	18,0	18,0	21,0	23,0	23,0	27,0
Leiter mm ² min	1	1	1	2,5	2,5	2,5
Leiter mm ² max	2,5	2,5	2,5	6	6	6