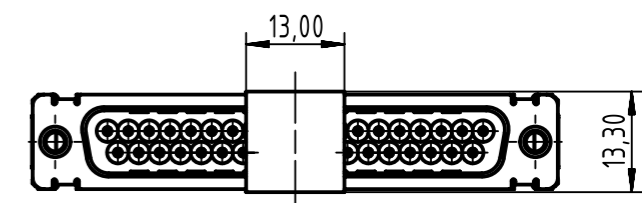
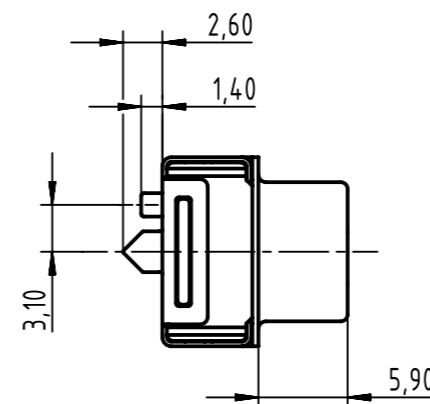
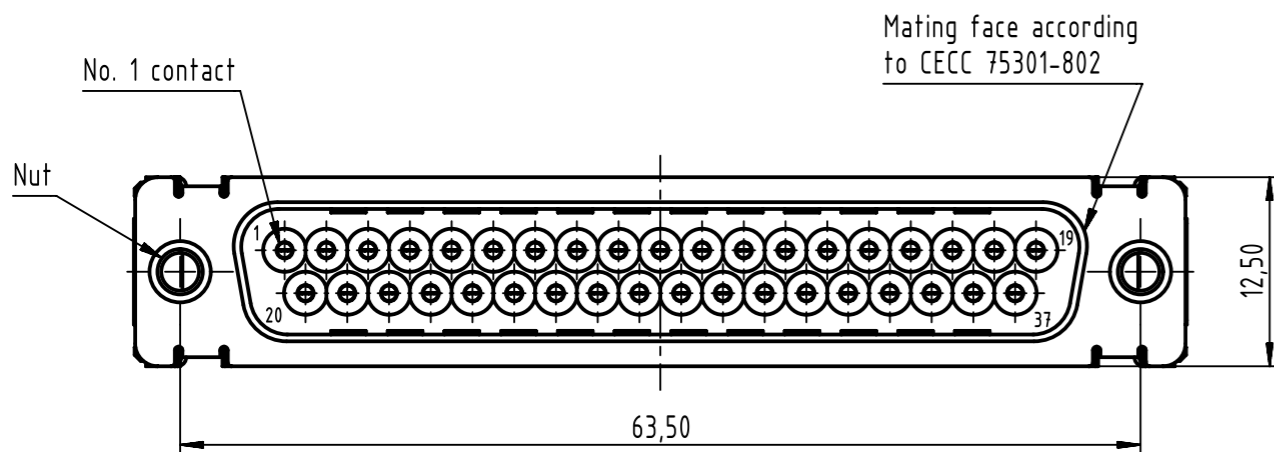
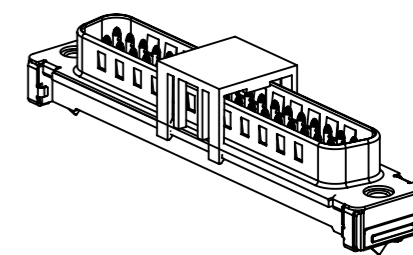
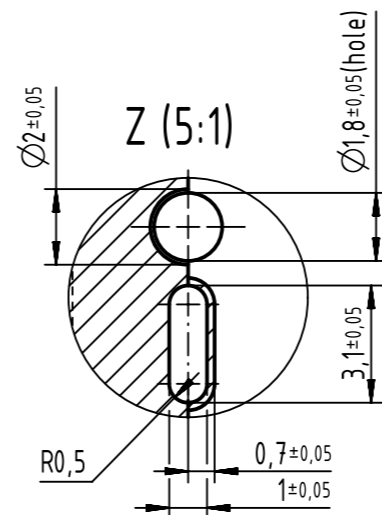
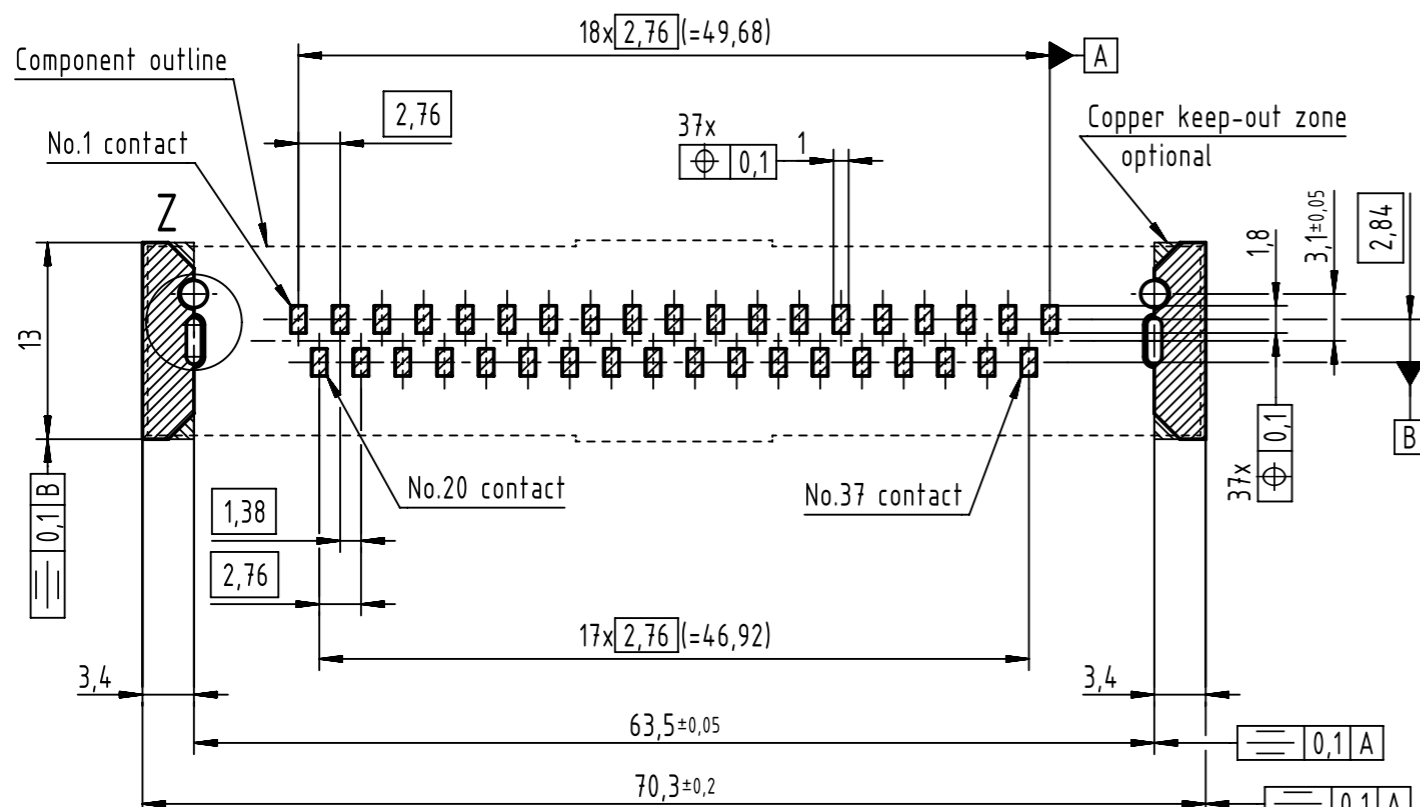


(All contacts and grounds)



PCB layout, component side



Max. Temperature: 260°C during 10 seconds.
Find further technical information on DS 09550200302.

0955 469 3811 741	1	M3	Black insulator	Reel Packaging: 140 connectors
0955 469 3812 741	1	4-40 UNC		
0955 469 6811 741	2	M3		
0955 469 6812 741	2	4-40 UNC		
0955 469 7811 741	3	M3		
0955 469 7812 741	3	4-40 UNC		
Part number	PL	Nut	Index designation	

	All Dimensions in mm Original Size DIN A3		Scale 2:1	Free size tol.	Ref. Sub.	
	All rights reserved Department EL PD		Created by ZHUANGJ	Inspected by LUOK	Standardisation HOFFMANN	Date 2018-11-29
HARTING Electronics GmbH D-32339 Espelkamp		Title D-Sub str SMT 37-pole male with screw nut & ground pin			Doc-Key / ECM-Nr. 100236634/UGD/001/B 500000139800	
		Type TB	Number 0955469X81X		Rev. B	Page 1/1