

## Wall mounting socket outlet, switched and fused - housing dimensions 365x134, with C-type MCB and RCCB

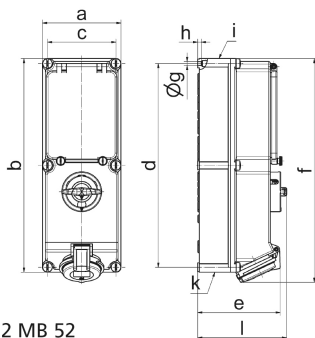


Product description	
BALS-Prd.-Nr	17303
EAN	4024941173032
Product category	Wall mounting socket outlet, switched, fused
Current	32A
Number of poles	5p
Poles	3p+N+PE
Position of earth contact	6 h

Product description	
Voltage	200/346 up to 240/415V
Frequency	50 and 60Hz
Protection degree	IP44
Colour code	red RAL 3000
Colour of appliance	Operating window smoky topaz, Hinged lid red RAL 3000, Housing screws grey RAL 7035, Housing bottom grey RAL 7035, Housing top grey RAL 7035, Control knob grey RAL 7035
Connection design	screwless spring terminals as cage clamp with Kontex-contact
Maximum conductor size	10,0 qmm
Cable entry	top entry M40/M32 bottom entry M40/32
Height	391mm
Width	134mm
Depth	153mm
Dimension of enclosure	365x134 mm (HxW)
Material of enclosure	Polycarbonate
Contact	The contact carrier is made of high temperature resistant material, the contacts are brass nickel plated

Additional technical properties	
	cable entry two at top and two at bottom (open)
	In 0-position lockable for 3 padlocks with bow diameter up to 7 mm
	With 4 pole 40/0.03A RCCB, With 3 pole C-type MCB

Logistics data	
Weight/pcs	2.63 kg / Piece
Packaging	Carton
Content amount	1 ST
EAN	4024941173032
Length	387 mm
Width	222 mm
Height	150 mm
Weight	2.823 kg
Volume	11,029.5 ccm



12 MB 52

Ampere	16	16	16	32	32	32
Polzahl	3	4	5	3	4	5
a	134,0	134,0	134,0	134,0	134,0	134,0
b	365,0	365,0	365,0	365,0	365,0	365,0
c	117,0	117,0	117,0	117,0	117,0	117,0
d	348,0	348,0	348,0	348,0	348,0	348,0
e	129,0	135,0	141,0	146,0	146,0	152,0
f	384,0	382,0	382,0	391,0	391,0	391,0
g ø	6,5	6,5	6,5	6,5	6,5	6,5
h	8,0	8,0	8,0	8,0	8,0	8,0
i	M25/20	M32/25	M32/25	M40/32	M40/32	M40/32
k	M25/20	M32/25	M32/25	M40/32	M40/32	M40/32
l	156,0	156,0	156,0	156,0	156,0	156,0
Leiter mm <sup>2</sup> min	1,5	1,5	1,5	2,5	2,5	2,5
Leiter mm <sup>2</sup> max	4	4	4	10	10	10