

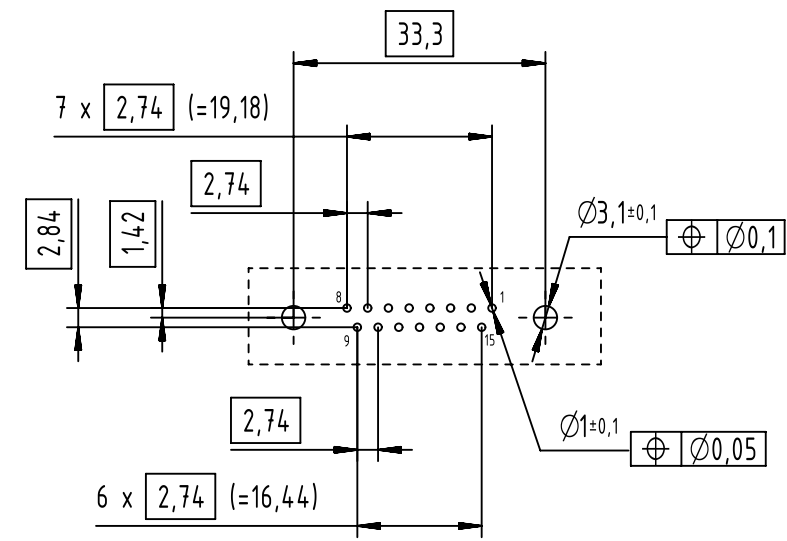
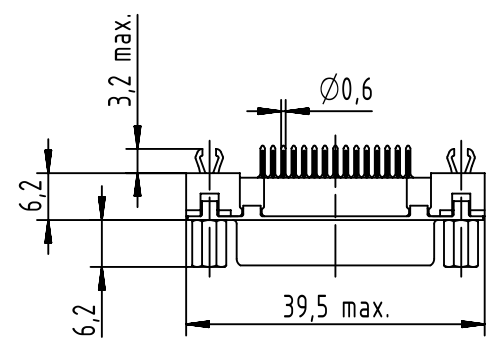
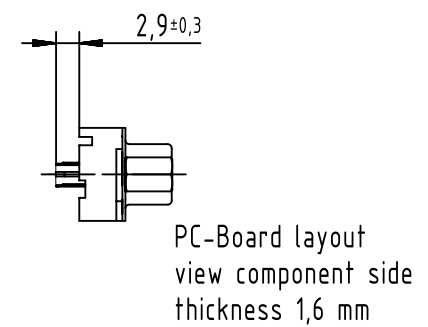
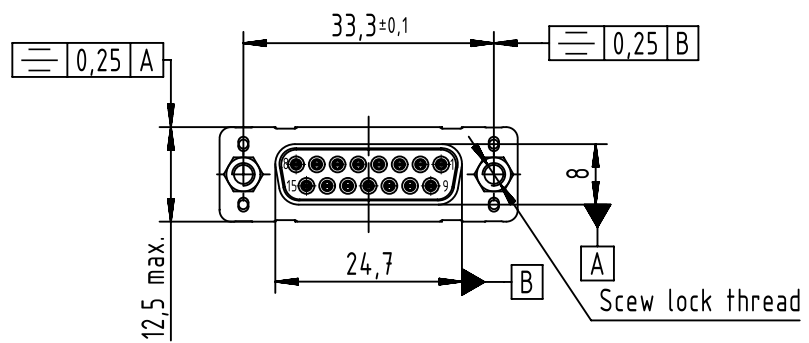
1 2 3 4 5 6

A

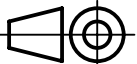

B

C

D



Connection retention and insertion forces on PC-Board: 25 N / 80 N

09662513533	M3	PL1	 All Dimensions in mm Original Size DIN A4	Scale	Free size tol.			Ref.		
09662516533	M3	PL2		1:1	Created by		Inspected by	Standardisation	Date	State
09662517533	M3	PL3	 All rights reserved Department EC PD - FR	SONN	BAGDIKIAN	HOFFMANN	2014-09-11	Final Release		
09662513513	4-40 UNC	PL1		Title					Doc-Key / ECM-Nr.	
09662516513	4-40 UNC	PL2	D-Sub 15-pole Female Straight					100566511/UGD/001/B 500000079204		
09662517513	4-40 UNC	PL3	Type					Rev.		
Part number	Scew lock thread	Performance level	D-32339 Espelkamp		TB	Number		Page		
					0966251X5X3		B		1/1	