

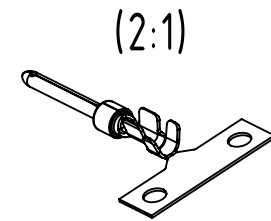
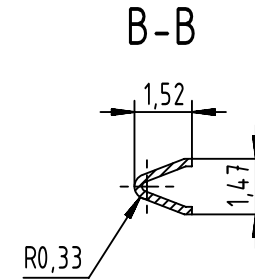
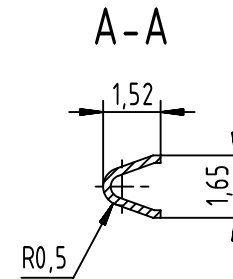
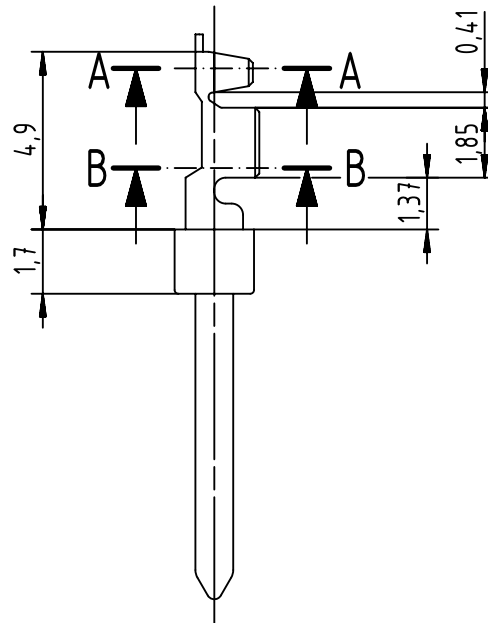
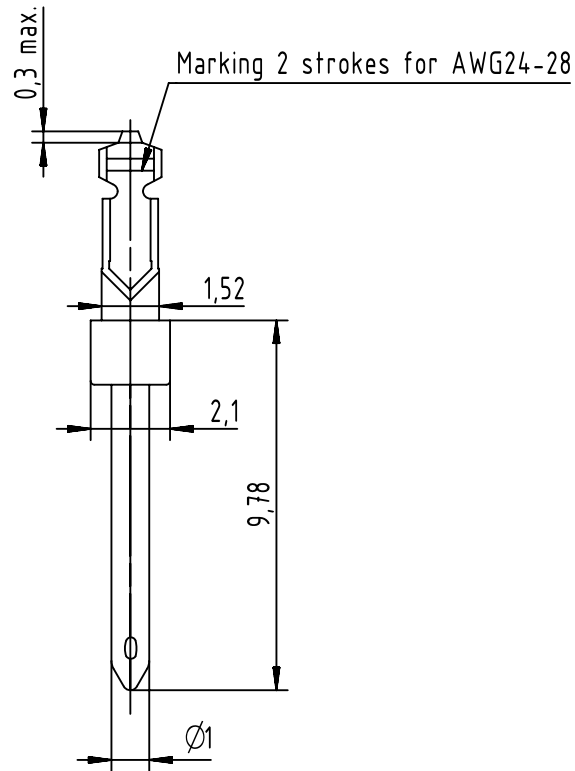
1 2 3 4 5 6

A

B

C

D



Base material: brass
 Plating: sliding contact selective plating over nickel
 nickel plated crimp area
 Number of contacts per bag: 500

			All Dimensions in mm Original Size DIN A4		Scale 5:1	Free size tol.		Ref. Sub.		
			All rights reserved Department EL PD		Created by ZHUANGJ	Inspected by ZENG D	Standardisation HOFFMANN	Date 2020-06-30	State Approved	
09 67 000 7178 PL2 PdNi			HARTING Electronics GmbH		Title D-Sub stamped male AWG 24-28 crimp contact				Doc-Key / ECM-Nr. 100607835/UGD/000/B 500000174915	
09 67 000 7177 PL3 Flash Gold			D-32339 Espelkamp		Type TB Number 0967000717X				Rev. B	Page 1/1
09 67 000 7176 PL1 PdNi			Part number Performance level Plating							