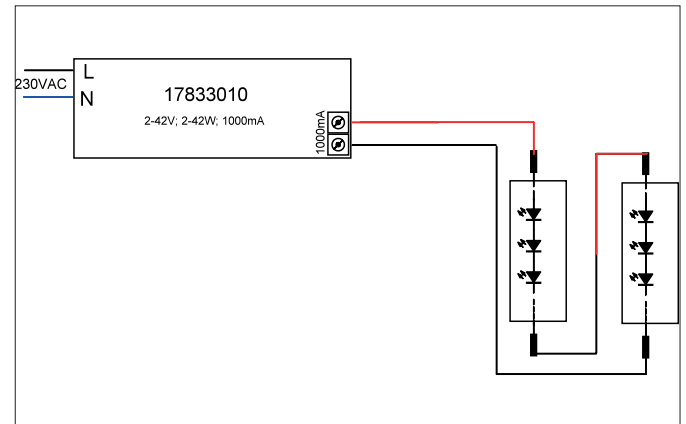


LED converter 1.000 mA, on/off switchable
Article no. 17833010

Light.
For Generations.



Tender

LED converter 1.000 mA, on/off. This converter is equipped with safety devices which protect it against overvoltage, short-circuit as well as thermal and electric overloads. The input and output terminals are suitable for cables with a cross-section of up to 0.75-1.5 mm². Material: Plastic, Degree of protection: according to DIN EN 60529 IP20, Protection class: (EN 61140) II, Current: 1000 mA, Voltage: 230V AC 50Hz, Power: 42W, Control: on/off.

Article data	
Article no.	17833010
GTIN	4251433924197
Short description	LED converter 1.000 mA, on/off switchable
Material	Plastic
Length	146 mm
Width	43.5 mm
Height	30 mm
Weight	0.147 kg

LED converter 1.000 mA, on/off switchable

Article no. 17833010

Light.
For Generations.

Operating technology of driver	
AC nominal voltage min	220 V
AC nominal voltage max	240 V
DC nominal voltage min	170 V
DC nominal voltage max	280 V
Current	1000 mA
Protection class	II
Degree of protection	IP20
Starting current	5A 50µs
Power min	2 W
Power	42 W
Control	on/off
Environment temperature (ta)	-25 °C bis +40 °C
Measure point (tc)	max. +80 °C
Version	without

Packing data	
Gross weight	0.168 kg
Length of packaging	45 mm
Packaging width	35 mm
Packaging height	190 mm
Disposal at end of life	This product must not be disposed of with household waste. You are obliged, to dispose of such electrical waste separately. By disposing of electrical waste and other old or defective electronics separately, you support recycling or other forms of re-use. In that way you help to take care and to avoid that harmful substances get into the environment.