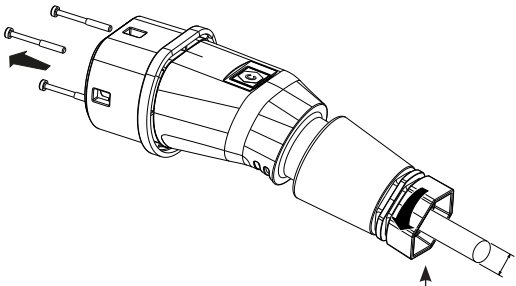
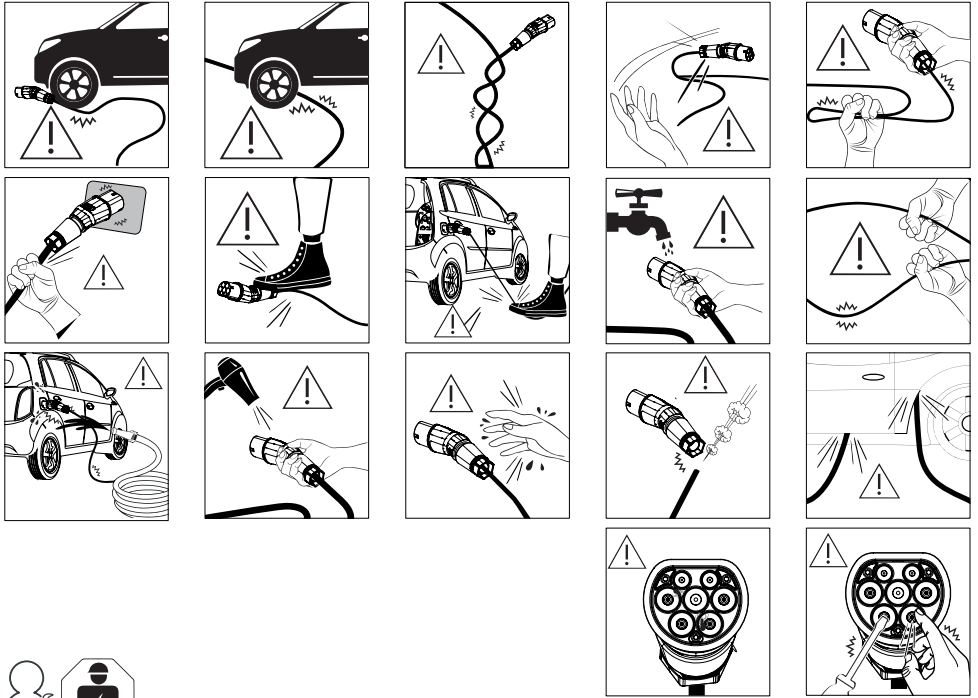


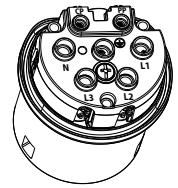
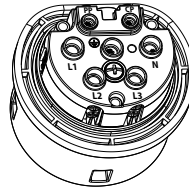
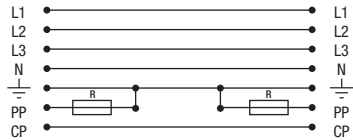
I-CORD

CE UK
CA

GEWISS



$\varnothing_{min} = 9mm$
 $\varnothing_{max} = 18mm$

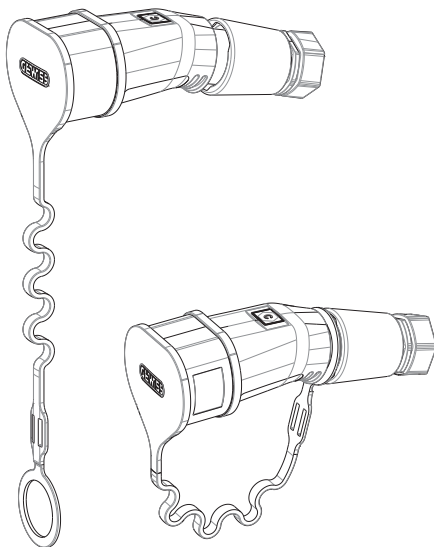
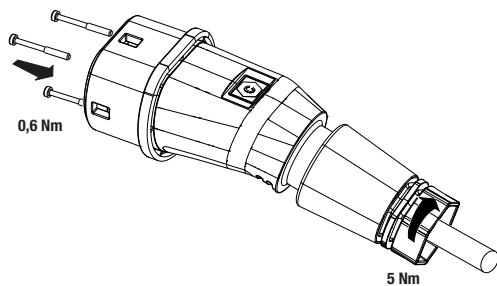
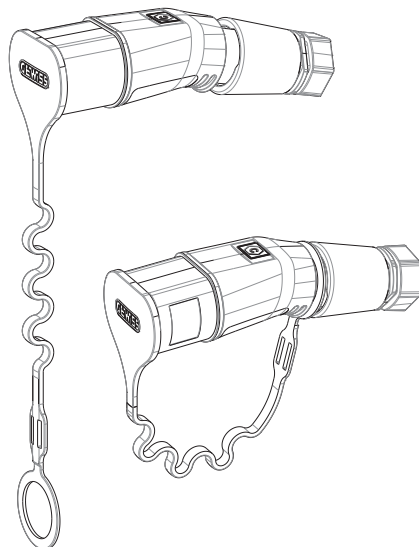
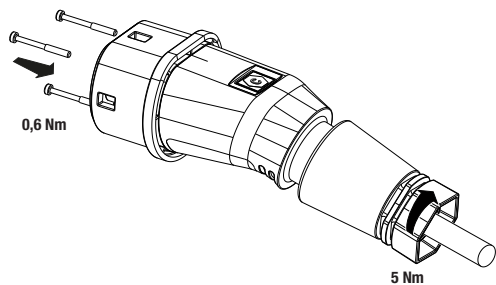


	\varnothing	Rc
3G	2,5 mm ²	680 Ω
3G	6 mm ²	220 Ω
5G	2,5 mm ²	680 Ω
5G	6 mm ²	220 Ω

	Nm
L1	1 Nm
L2	1 Nm
L3	1 Nm
N	1 Nm
PE	1 Nm
PP	0,4 Nm
CP	0,4 Nm



cod. 7613000699



Punto di contatto indicato in adempimento ai fini delle direttive e regolamenti UE applicabili:
Contact details according to the relevant European Directives and Regulations:
GEWISS S.p.A. Via A.Volta, 1 IT-24069 Cenate Sotto (BG) Italy tel: +39 035 946 111 E-mail: qualitymarks@gewiss.com

According to applicable UK regulations, the company responsible for placing the goods in UK market is:
GEWISS UK LTD - Unity House, Compass Point Business Park, 9 Stocks Bridge Way, ST IVES
Cambridgeshire, PE27 5JL, United Kingdom tel: +44 1954 712757 E-mail: gewiss-uk@gewiss.com



+39 035 946 111
8.30 - 12.30 / 14.00 - 18.00
lunedì = venerdì - monday = friday



+39 035 946 260



sat@gewiss.com
www.gewiss.com

ULTIMA REVISIONE 08/2022