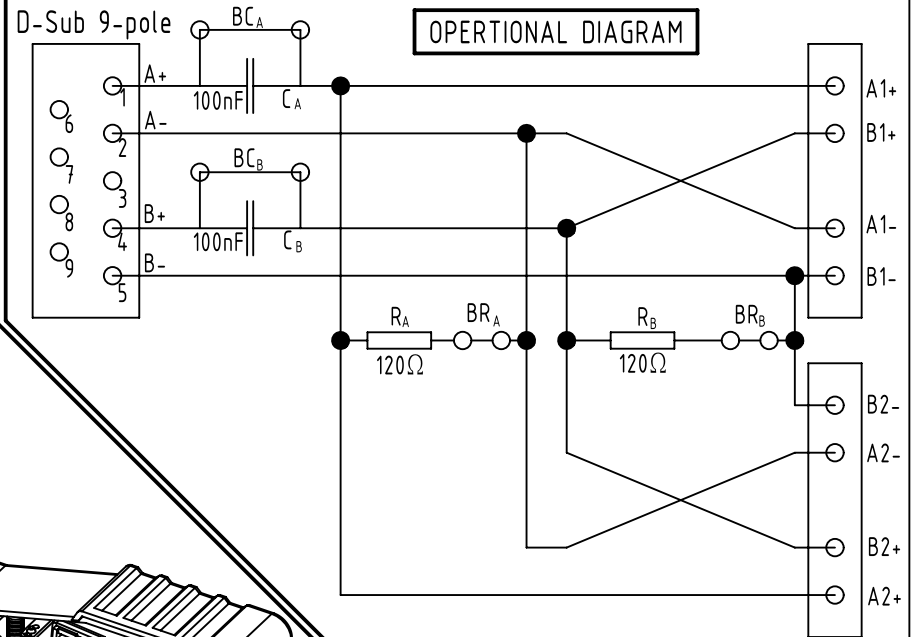
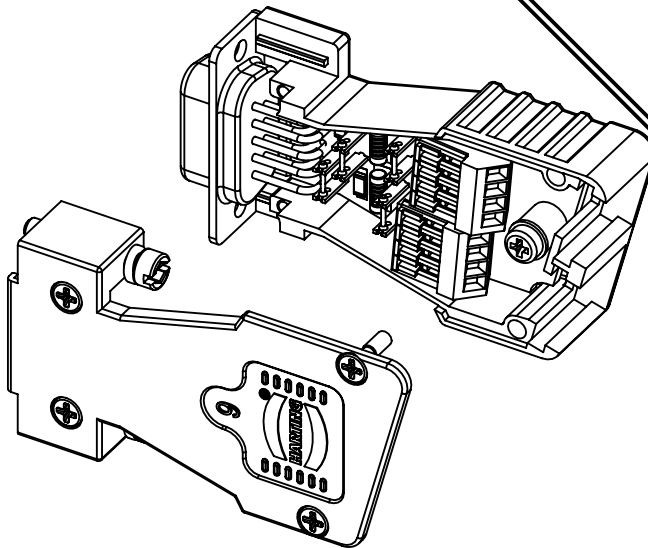
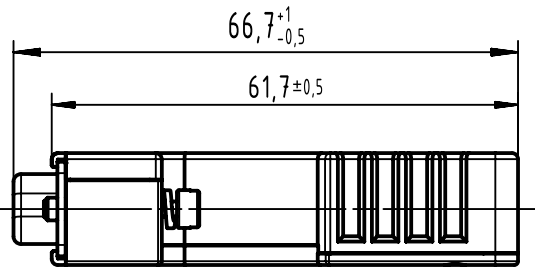
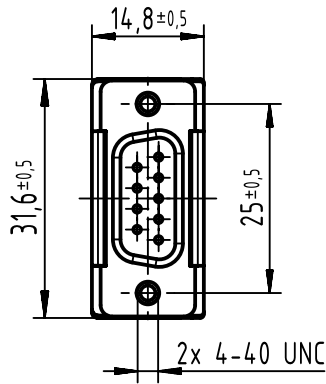
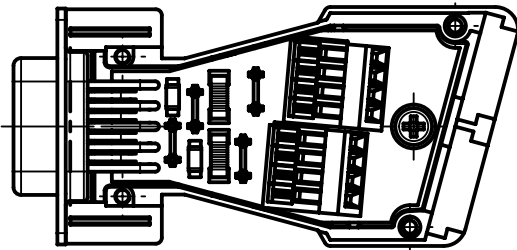


1 2 3 4 5 6

View without cover



In set inclusive:

Number	Description
2	Crimp flange 6,0-7,0
2	Crimp ferrule 9,5-10,5
1	Blanking piece 9-37
1	Label Line A, B, A+B

	All rights reserved Department EL PD	All Dimensions in mm Original Size DIN A4	Scale 1:1	Free size tol.		Ref.
		Created by ZHUANGJ	Inspected by LUOK	Standardisation ROEBEN	Date 2023-12-14	State Final Release
HARTING D-32339 Espelkamp		Title InduCom 9 male CAN 4-40 UNC			Doc-Key / ECM-Nr. 100869636/UGD/001/D 500000259982	
Type TB		Number 66630095113			Rev. D	Page 1/1

D	6663 009 5113 170	PL1	Plated hood
	6663 009 5113 777	PL1	Small batch
	6663 009 5113	PL1	Standard batch
	Part number	Performance level	Remark