

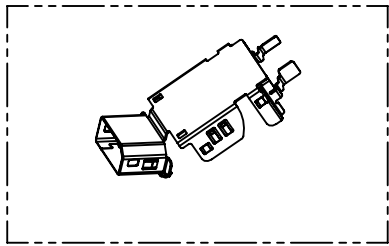
Contact material: copper alloy
 Contact area: Gold 0.2µm min.
 Wiring area: Gold 0.03µm min.
 Under plating: Nickel 2µm min.

Applicable cable	
Items	Applicable condition
Conductor size	AWG 24
Insulation O.D.	Ø1.1 to 1.25 mm
Braid Shield	Tin plating
Sheath O.D.	Ø5.5mm - Ø7.2mm

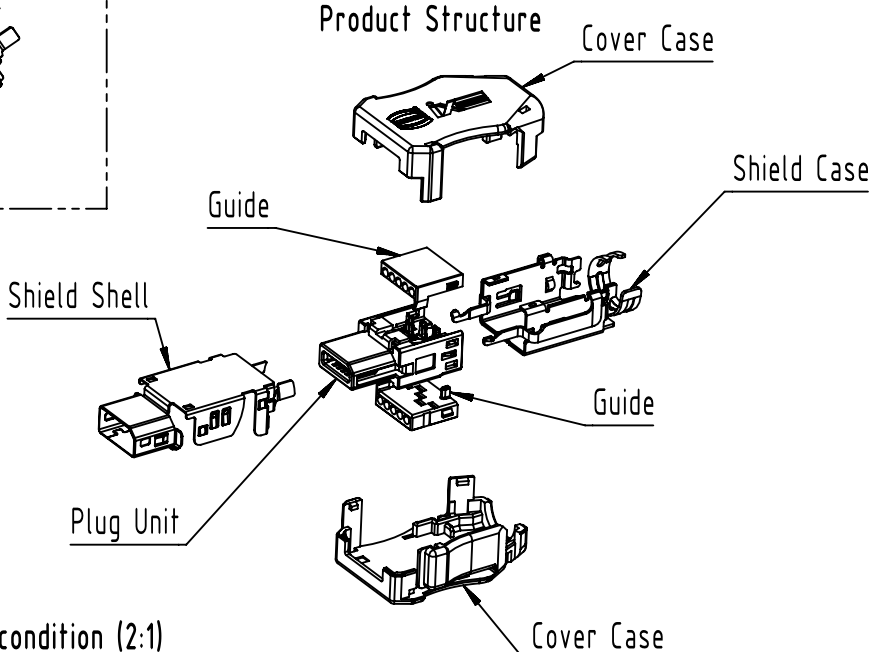
Pin	10/100 Mbit/s	1/10 Gbit/s
1	TX+	BI_DA+
2	TX-	BI_DA-
3	N.C.	N.C.
4	N.C.	BI_DC+
5	N.C.	BI_DC-
6	RX+	BI_DB+
7	RX-	BI_DB-
8	N.C.	N.C.
9	N.C.	BI_DD+
10	N.C.	BI_DD-

	All rights reserved Department EL PD	All Dimensions in mm Original Size DIN A4	Scale 2:1	Free size tol.	Ref. Sub.
		Created by SERBANA	Inspected by PREOTU	Standardisation ROEBEN	Date 2022-04-28
HARTING D-32339 Espelkamp		Title ix Industrial 10A-1 plug SL-I24			Doc-Key / ECM-Nr. 100791017/UGD/000/C 500000214.732
		Type TB	Number 09451812562		Rev. C Page 1/2

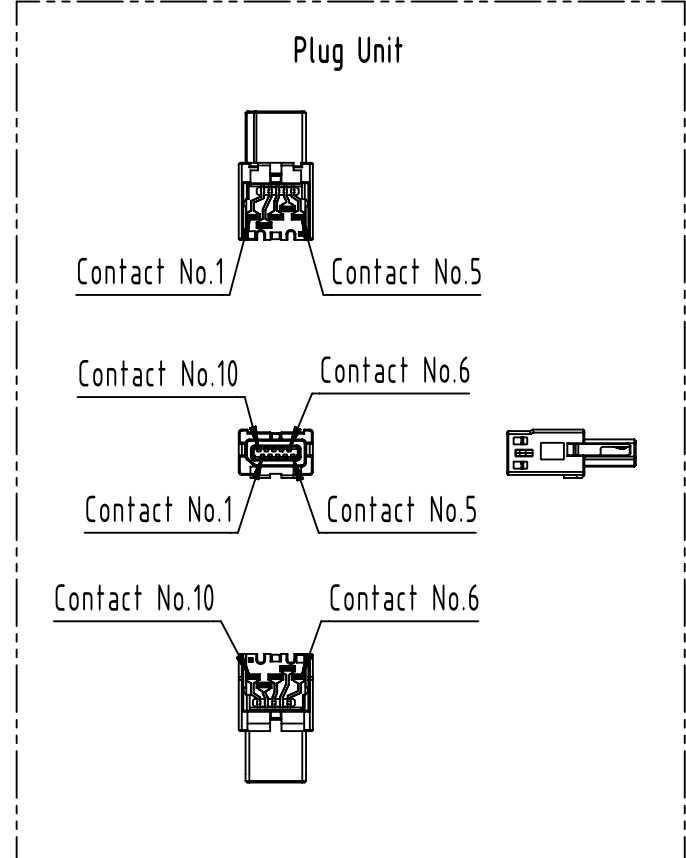
Shield Shell delivery form



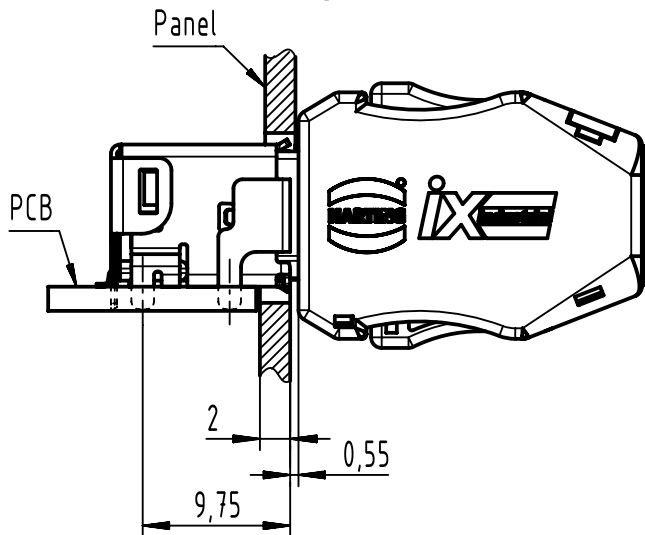
Product Structure



Plug Unit



Mating condition (2:1)



	All rights reserved Department EL PD	All Dimensions in mm Original Size DIN A4		Scale 1:1	Free size tol.	Ref. Sub.	
		Created by SERBANA	Inspected by PREOTU	Standardisation ROEBEN	Date 2022-04-28	State Final Release	
HARTING D-32339 Espelkamp		Title ix Industrial 10A-1 plug SL-I24				Doc-Key / ECM-Nr. 100791017/UGD/000/C 500000214.732	
		Type TB	Number 09451812562			Rev. C	Page 2/2