

Plug - with screwless terminals, for harsh applications



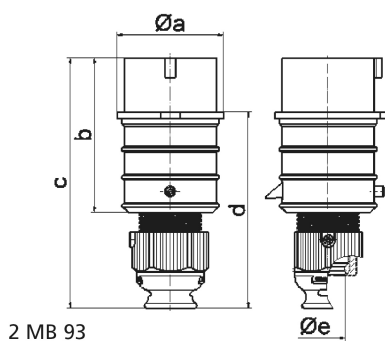
Product description	
BALS-Prd.-Nr	210184
EAN	4024941100212
Product category	QUICK-CONNECT TE plug
Current	32A
Number of poles	3p
Poles	2P+PE
Position of earth contact	7 h
Voltage	480 up to 500V
Frequency	50 and 60Hz

Product description	
Protection degree	IP44
Colour code	black RAL 9005
Colour of appliance	Collar black RAL 9005, Cable gland grey RAL 7035, Housing cover black RAL 9005
Connection design	screwless spring-clamp technology
Maximum conductor size	6,0 qmm
Cable entry	Cable gland
Height	180mm
Width	66mm
Depth	79mm
Material of enclosure	Polyamide
Contact	The contact carrier is made of high temperature resistant material, the contacts are brass nickel plated

Additional technical properties	
	For cable diameter from 11 up to max. 23,5 mm, Multi-Grip cable gland with gasket, integrated cable clamp and additional water evacuation openings

Logistics data	
Weight/pcs	0.23 kg / Piece
Packaging	Bag
Content amount	1 ST
EAN	4024941100212

Logistics data	
Length	79 mm
Width	66 mm
Height	180 mm
Weight	0.231 kg
Volume	938.52 ccm
Packaging	Carton
Content amount	10 ST
EAN	4024941831710
Length	258 mm
Width	183 mm
Height	212 mm
Weight	2.452 kg
Volume	8,750 ccm



Ampere	16	16	16	32	32	32
Polzahl	3	4	5	3	4	5
a ø	51,0	57,5	65,0	66,0	66,0	72,0
b	95,0	95,0	97,0	118,0	118,0	117,0
c	145,0	145,0	152,0	178,0	178,0	181,0
d	109,0	109,0	116,0	133,0	133,0	135,5
e ø	18,0	18,0	21,0	23,0	23,0	27,0
Leiter mm² min	1	1	1	2,5	2,5	2,5
Leiter mm² max	2,5	2,5	2,5	6	6	6