

## Panel mounting socket outlet - straight execution, flange 55x55, fixing centers 45x45

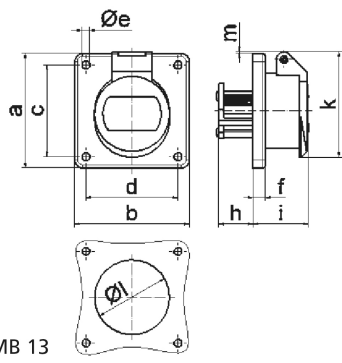


Product description	
BALS-Prd.-Nr	4317
EAN	4024941043175
Product category	Panel mounting socket outlet, extra-low voltage, straight
Current	32A
Number of poles	3p
Poles	3P
Position of earth contact	no minor keyway
Voltage	20 up to 25v

Product description	
Frequency	50 and 60Hz
Protection degree	IP44
Colour code	violet RAL 4005
Colour of appliance	Enclosure grey RAL 7035, Hinged lid violet RAL 4005
Connection design	with screw terminal
Maximum conductor size	10,0 qmm
Cable entry	other
Height	67mm
Width	55mm
Depth	59mm
Flange size vertical	55mm
Flange size horizontal	55mm
Drill hole distance vertical	45mm
Drill hole distance horizontal	45mm
Material of enclosure	Polyamide
Contact	The contact carrier is made of polyamide, the contacts are brass nickel plated

Logistics data	
Weight/pcs	0.125 kg / Piece
Packaging	Bag
Content amount	1 ST

Logistics data	
EAN	4024941043175
Length	59 mm
Width	55 mm
Height	67 mm
Weight	0.126 kg
Volume	217.415 ccm
Packaging	Carton
Content amount	10 ST
EAN	4024941836555
Length	207 mm
Width	162 mm
Height	142 mm
Weight	1.35 kg
Volume	3,750 ccm



16 MB 13

Ampere	16	16	32	32		
Polzahl	2	3	2	3		
a	55,0	55,0	55,0	55,0		
b	55,0	55,0	55,0	55,0		
c	45,0	45,0	45,0	45,0		
d	45,0	45,0	45,0	45,0		
e ø	5,2	5,2	5,2	5,2		
f	6,0	6,0	6,0	6,0		
h	22,0	22,0	22,0	22,0		
i	37,0	37,0	37,0	37,0		
k	67,0	67,0	67,0	67,0		
l ø	49,0	49,0	49,0	49,0		
m	12,0	12,0	12,0	12,0		
Leiter mm <sup>2</sup> min	4	4	4	4		
Leiter mm <sup>2</sup> max	10	10	10	10		