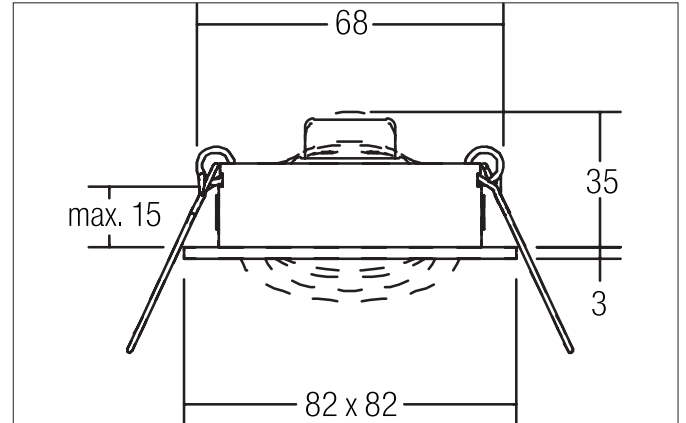


Ceiling recessed speaker, DA 68 mm
Article no. 43004070

Licht.
Für Generationen.



IP20

Tender

Ceiling recessed speaker, DA 68 mm, white. In a compact design, for installation in tool-less rapid assembly systems. Nominal / music load capacity: 3 / 4 W, impedance: 20 Ohm. Up to 5 speakers can be connected in parallel to a channel of a Hifi amplifier. Sound pressure level: 1 W / 1 m: 82 dB (at nominal output of 87 dB), Transmission range (-3 db): 200 - 16,000 Hz, Transmission range (-10 db): 150 - 20,000 Hz, Net weight: 0.1 kg. Connection using 2-core cable with connecting terminals. Also available with cover in champagne matte or black on request. Mounting method: Recessed mounting, Place of installation: Ceiling-mounted, Material: Aluminium / Steel, Degree of protection: according to DIN EN 60529 IP20, Adjustability: Pivoted.

Article data	
Article no.	43004070
GTIN	4251433907046
Kurzbeschreibung	Ceiling recessed speaker, DA 68 mm
Material	Aluminium / Steel
Colour	White
Type of surface	Matt
Built-in diameter	68 mm
Installation depth	35 mm
Length	82 mm
Width	82 mm
weight	0.123 kg

Ceiling recessed speaker, DA 68 mm
Article no. 43004070

Licht.
Für Generationen.

Packing data	
Gross weight	0.17 kg
Length of packaging	85 mm
Packaging width	43 mm
Packaging height	84 mm