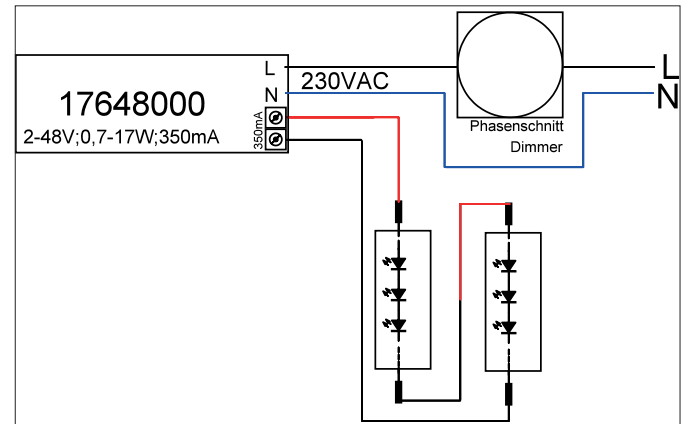
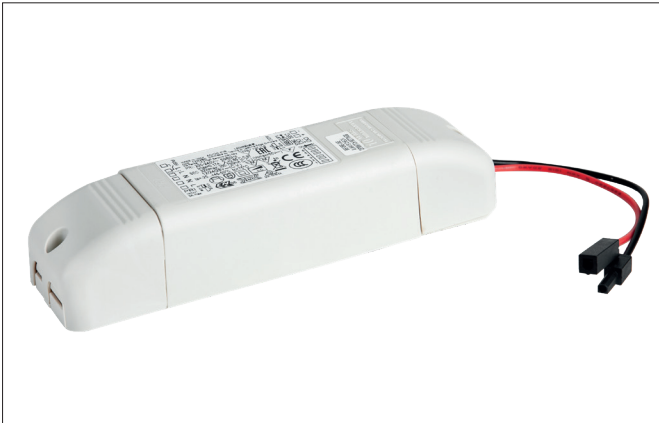


LED converter 350 mA, trailing-edge phase dimmable

Article no. 17648000

Light.
For Generations.**Tender**

LED converter 350 mA, trailing-edge phase dimmable. This driver fulfills the requirements for safety lighting systems in accordance with DIN EN 50172 VDE 0108-100:2005-01. This converter is equipped with safety devices which protect it against overvoltage, short-circuit as well as thermal and electric overloads. The input and output terminals are suitable for cables with a cross-section of up to 1.5 mm². Material: Plastic, Degree of protection: according to DIN EN 60529 IP20, Protection class: (EN 61140) II, Current: 350 mA, Voltage: 230V AC 50Hz, Power: 17W, Control: Trailing-edge phase.

| Article data | |
|-------------------|--|
| Article no. | 17648000 |
| GTIN | 4251433924555 |
| Short description | LED converter 350 mA, trailing-edge phase dimmable |
| Material | Plastic |
| Length | 166 mm |
| Width | 46 mm |
| Height | 34 mm |
| Scope of delivery | Plug&Play version with 110 mm P&P output cable |
| Weight | 0.183 kg |

LED converter 350 mA, trailing-edge phase dimmable

Article no. 17648000

Light.
For Generations.

| Operating technology of driver | |
|--------------------------------|---------------------|
| AC nominal voltage min | 220 V |
| AC nominal voltage max | 240 V |
| Frequenz max. | 50 Hz |
| Current | 350 mA |
| Protection class | II |
| Degree of protection | IP20 |
| Starting current | 5A 50 μ s |
| Power min | 0.7 W |
| Power | 17 W |
| Control | Trailing-edge phase |
| Environment temperature (ta) | -25 °C bis +50 °C |
| Measure point (tc) | max. +75 °C |
| Version | Plug&Play |
| Power factor | 0.97 |

| Packing data | |
|-------------------------|---|
| Gross weight | 0.246 kg |
| Length of packaging | 140 mm |
| Packaging width | 110 mm |
| Packaging height | 120 mm |
| Disposal at end of life | This product must not be disposed of with household waste. You are obliged, to dispose of such electrical waste separately. By disposing of electrical waste and other old or defective electronics separately, you support recycling or other forms of re-use. In that way you help to take care and to avoid that harmful substances get into the environment. |