

Panel mounting socket outlet, angled - flange 100x92, fixing centers 85x77

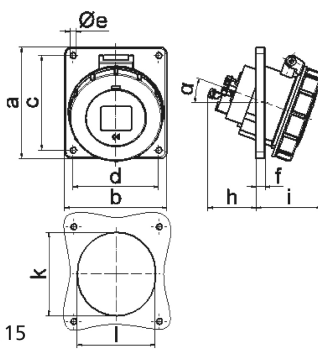


Product description	
BALS-Prd.-Nr	12847
EAN	4024941128476
Product category	Panel mounting socket outlet Quick-Connect, angled
Current	32A
Number of poles	4p
Poles	3P+PE
Position of earth contact	9 h
Voltage	200 up to 250V

Product description	
Frequency	50 and 60Hz
Protection degree	IP67
Colour code	blue RAL 5015
Colour of appliance	Hinged lid blue RAL 5015, Bayonet ring grey RAL 7035, Enclosure grey RAL 7035
Connection design	screwless spring terminals as cage clamp with Kontex-contact
Maximum conductor size	10,0 qmm
Cable entry	other
Height	110mm
Width	94mm
Depth	122mm
Flange size vertical	100mm
Flange size horizontal	92mm
Drill hole distance vertical	85mm
Drill hole distance horizontal	77mm
Material of enclosure	Polyamide
Contact	The contact carrier is made of polyamide, The contacts are brass

Additional technical properties	
	The inclination is 20°

Logistics data	
Weight/pcs	0.275 kg / Piece
Packaging	Carton
Content amount	10 ST
EAN	4024941830584
Length	295 mm
Width	185 mm
Height	215 mm
Weight	2.911 kg
Volume	9,975 ccm



4 MB 115

Ampere Polzahl	16 3	16 4	16 5	32 3	32 4	32 5
a	74,0	100,0	100,0	100,0	100,0	100,0
b	62,0	92,0	92,0	92,0	92,0	92,0
c	60,0	85,0	85,0	85,0	85,0	85,0
d	52,0	77,0	77,0	77,0	77,0	77,0
e ø	5,5	5,5	5,5	5,5	5,5	5,5
f	8,0	8,0	8,0	8,0	8,0	8,0
h	46,0	46,0	46,0	55,0	55,0	55,0
i	57,0	57,0	60,0	65,0	65,0	69,0
k	57,0	65,0	70,0	75,0	75,0	78,0
l	52,0	65,0	70,0	75,0	75,0	78,0
α	20°	20°	20°	20°	20°	20°
Leiter mm ² min	1,5	1,5	1,5	2,5	2,5	2,5
Leiter mm ² max	4	4	4	10	10	10