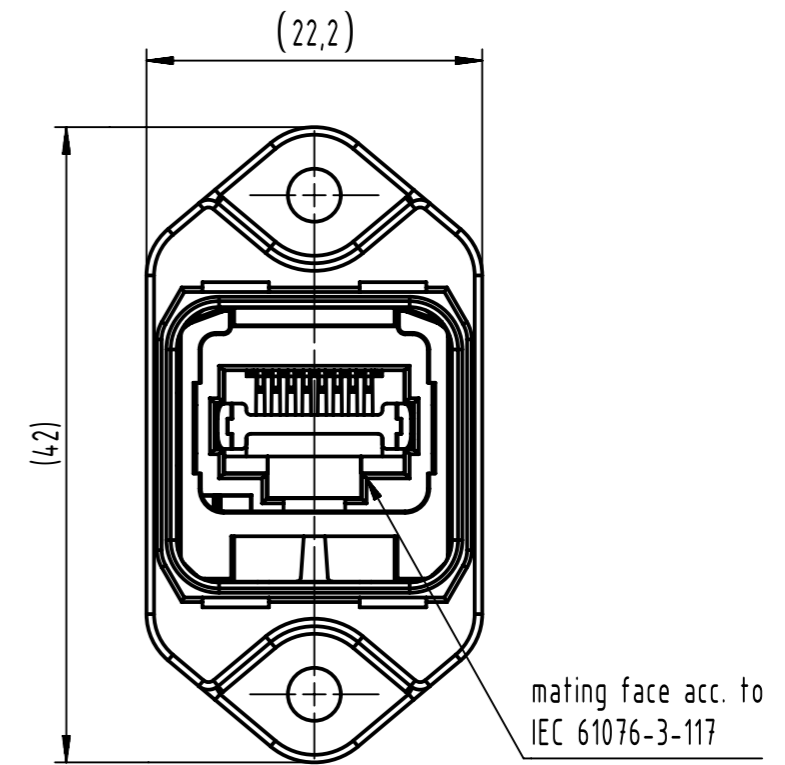
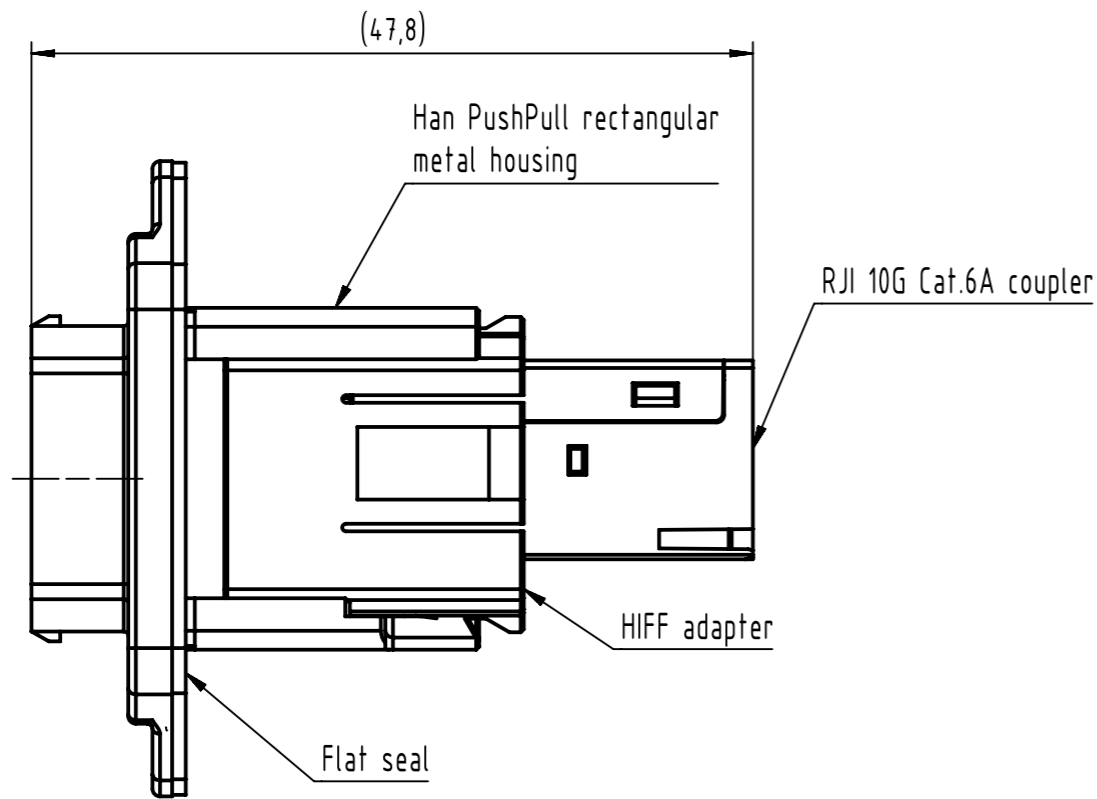


panel thickness: 1mm - 6mm
M3 screwing torque: 0.3 to 0.5Nm



further information see product data sheet

	All rights reserved Department EL PD	All Dimensions in mm Original Size DIN A3			Scale 2:1	Free size tol. ISO 2768-fH	Ref. Sub.
		Created by ZWAHR	Inspected by ELLERMANN	Standardisation	Date 2023-07-13	State Final Release	
HARTING D-32339 Espelkamp		Title Han PushPull PFT metal Bulkhead Cat.6A				Doc-Key / ECM-Nr. 100219210/UGD/002/E 500000249582	
		Type TB	Number 09352250311			Rev. E	Page 1/1