

Wall mounting socket outlet, switched, interlocked - housing dimensions 260x160



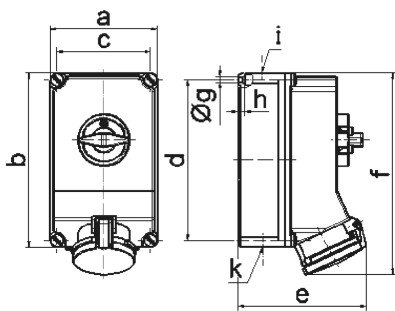
Product description	
BALS-Prd.-Nr	16827
EAN	4024941168274
product category (PG)	TE wall mounting socket outlet, switched, interlocked
current (A)	63A
number of poles (P99)	4p
number of poles (P)	3P+PE
position of earth contact (H)	7 h
voltage (V)	480 up to 500V

Product description	
frequency (HZ)	50 and 60Hz
protection degree (SA)	IP44
colour code 1 (KF1)	black RAL 9005
Colour of appliance	Hinged lid black RAL 9005, Housing screws grey RAL 7035, Housing bottom grey RAL 7035, Housing top grey RAL 7035, Control knob grey RAL 7035
connection design (AT)	screw terminal as box terminal with Kontex-contact
maximum conductor size (LQ)	25.0 qmm
cable entry (KE)	top entry M40 bottom entry M40/M32
Height	303mm
Width	160mm
Depth	185mm
dimension of enclosure (GG)	260x160 mm (HxW)
material of enclosure (GM)	Polycarbonate
contact	The contact carrier is made of high temperature resistant material, the contacts are brass nickel plated

Additional technical properties	
	The cable entry is one at top and two at bottom open
	In 0-position lockable for 4 padlocks with bow diameter up to 7 mm

Logistics data	
Weight/pcs	2.145 kg / Piece

Logistics data	
Packaging	Carton
Content amount	1 ST
EAN	4024941168274
Length	325 mm
Width	217 mm
Height	210 mm
Weight	2.361 kg
Volume	13,588.4 ccm



Ampere Polzahl	63 3	63 4	63 5			
a	160,0	160,0	160,0			
b	260,0	260,0	260,0			
c	140,0	140,0	140,0			
d	240,0	240,0	240,0			
e	184,0	184,0	184,0			
f	302,0	302,0	302,0			
g ø	8,1	8,1	8,1			
h	10,0	10,0	10,0			
i	M40	M40	M40			
k	M32/40	M32/40	M32/40			

12 MB 30