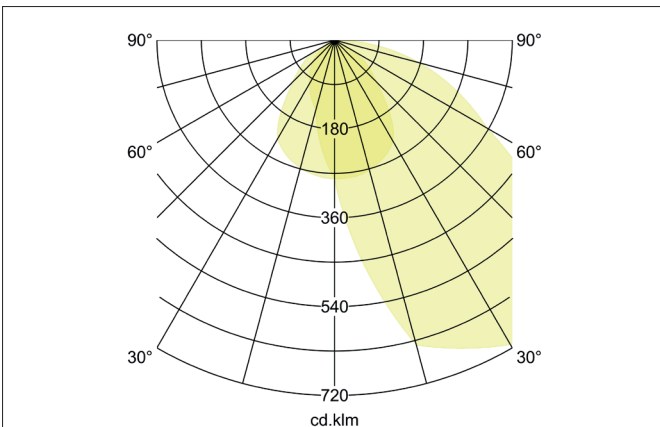
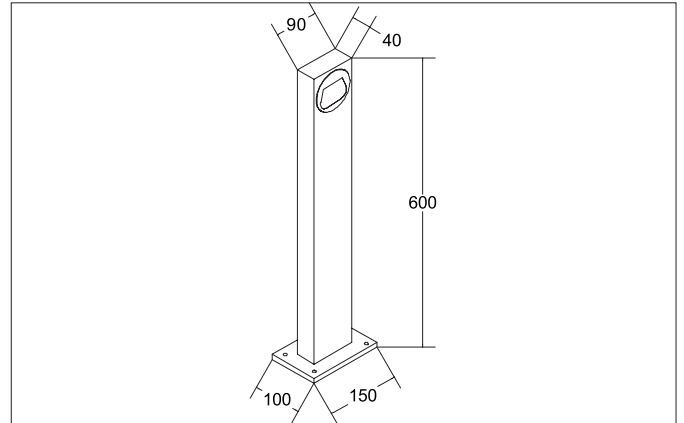


**QUADER LED bollard light, IP54, height 600 mm**  
 Article no. 60120103

Light.  
 For Generations.



**Tender**  
 LED bollard light, IP54, height 600 mm, Other. Ceiling cut-out Installation depth mm, Length 90 mm, Width 40 mm, Weight 1,840 kg, ,Luminous flux 730 lm, Power 1 x 11 W, Light colour warm white, Correlated color temperature (CCT) 3.000 K, Colour rendering index CRI > 80, Housing material: Aluminium / Glass, Colour: Graphite, Permissible ambient temperature (ta): -20 - + 50, Protection class (EN 61140): I, Degree of protection (DIN EN 60529): IP54, .With electronic driver, on/off switchable.

Article data	
Article no.	60120103
GTIN	4251433926184
Series name	QUADER
Short description	LED bollard light, IP54, height 600 mm
Material	Aluminium / Glass
Colour	Graphite
Shape	Other
Length	90 mm
Width	40 mm
Hight	600 mm
Scope of delivery	Incl. converter for connection to the 230-V mains voltage, on/off switchable and 500 mm connecting cable
Weight	1.840 kg

**QUADER LED bollard light, IP54, height 600 mm**

Article no. 60120103

Light.  
For Generations.

Lighting technology	
Colour temperature	3.000 K
Light colour	White
Luminous flux	730 lm
System efficiency	66 lm/W
Colour rendering	CRI > 80
Reflector	Without
Beam angle	65°

Operating technology of the luminaire	
System output	11 W
Voltage type	AC
AC nominal voltage max	230 V
Frequenz max.	50 Hz
Lamp	LED
Lamp holder	Without fitting
Protection class	I
Degree of protection	IP54
Ambient temperature	-20 - + 50
Control	on/off
Bulb change possible	The light source of this luminaire may only be replaced by the manufacturer or a service technician commissioned by him or a similarly qualified person.

Mounting technology	
Mounting method	Surface mounting
Place of installation	Floor-mounted
Adjustability	Not adjustable

Packing data	
Gross weight	2.18 kg
Length of packaging	220 mm
Packaging width	140 mm
Packaging height	675 mm
Disposal at end of life	This product must not be disposed of with household waste. You are obliged, to dispose of such electrical waste separately. By disposing of electrical waste and other old or defective electronics separately, you support recycling or other forms of re-use. In that way you help to take care and to avoid that harmful substances get into the environment.