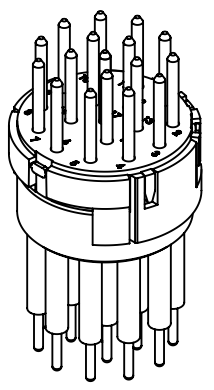
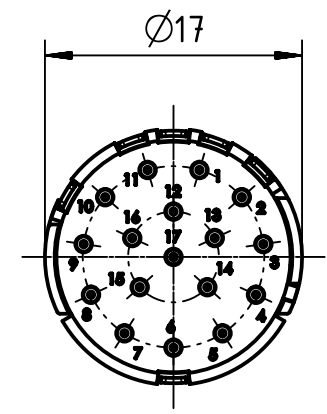
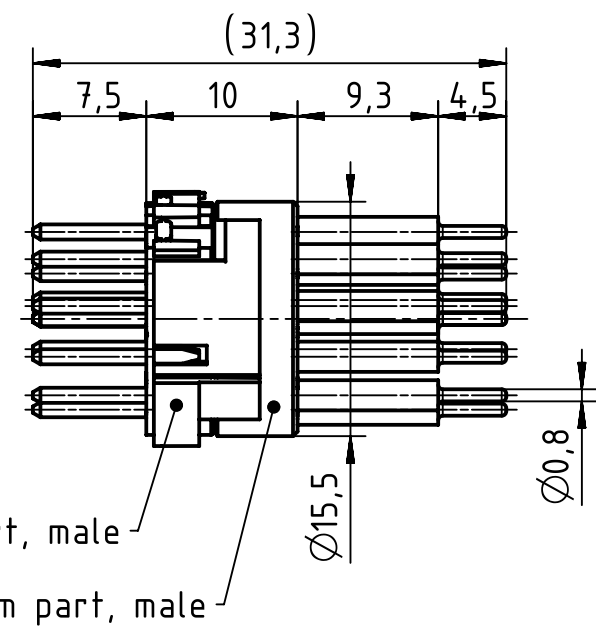
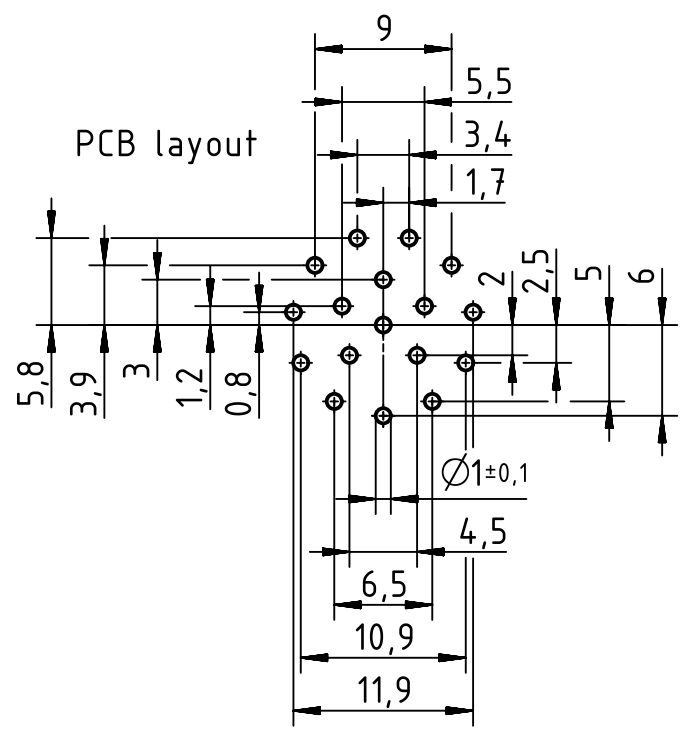


A

B

C

D



| | | | | | | |
|-----------------------------------------------------|----------------------------------------------|--|----------------------------------------|--------------------------|-----------------------------|----------------------------------------------------------|
| | All Dimensions in mm Original Size DIN A4 | | Scale 2:1 | Free size tol. | | Ref. |
| | | | | | | Sub. |
| | All rights reserved | | Created by DYCKC | Inspected by GRUBES | Standardisation TIEMANNA | Date 2019-07-19 |
| | Department EL PD | | Title M23 17 Male -soldered contact | | | State Final Release |
| HARTING Electric GmbH & Co. KG D-32339 Espelkamp | | | Type TB | Number 09 15 117 2603 | | Doc-Key / ECM-Nr. 100709478/UGD/000/C 500000155104 |
| | | | | | Rev. C | Page 1/1 |