

MATRIC F3 | SYSTEM 55MM RECESSED FRAME

1. MONTAGE UND INSTALLATION | MOUNTING AND INSTALLATION:

First diffuser removal

1. Bei allen Montagearbeiten Handschuhe tragen.
 Use gloves when handling the fixture.

Diffuser removal

CREDIT CARD

LED insets locking system

The foil inserted into the Microprismatic screen has a diffusion function - do not remove it!

2. All LED gear trays are numbered and the numbering starts from the cable entry side.
 In non-standard luminaires the numbering of LED gear trays is made in accordance with technical drawings.

3. Montageöffnungen.
 Installation openings.

Opal / Microprismatic / Wallwasher		Lens Louvre	
L1[mm]	L2[mm]	L1[mm]	L2[mm]
615	607	768	760
905	897	1018	1010
1198	1190	1268	1260
1490	1482	1518	1510
1780	1772	1768	1760
2075	2067	2018	2010

4.

5. Luminaire not suitable for covering with thermally insulating material.

L4[mm]	L5[mm]
120	12 - 28

Cable entry point

Unlocked Locked

6.

- min/max stripped wire length: 7mm-10mm
- max power supply cable: 1,5mm²

CLICK!

1

2

CLICK

7.

CLICK!

8.

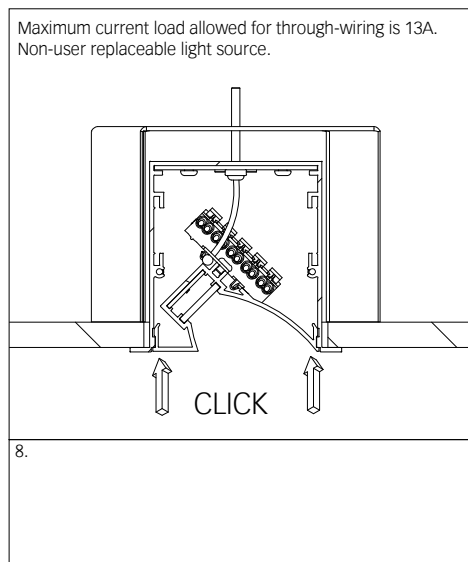
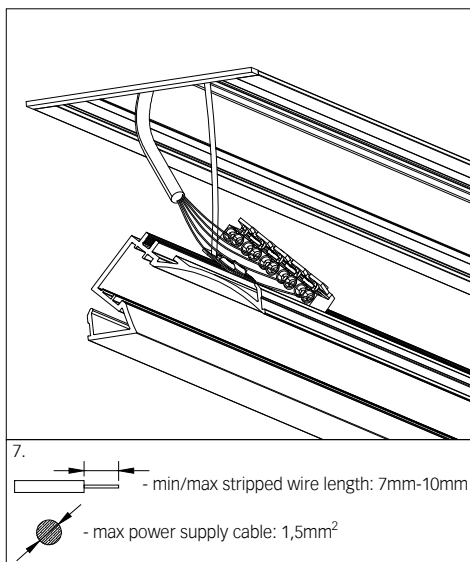
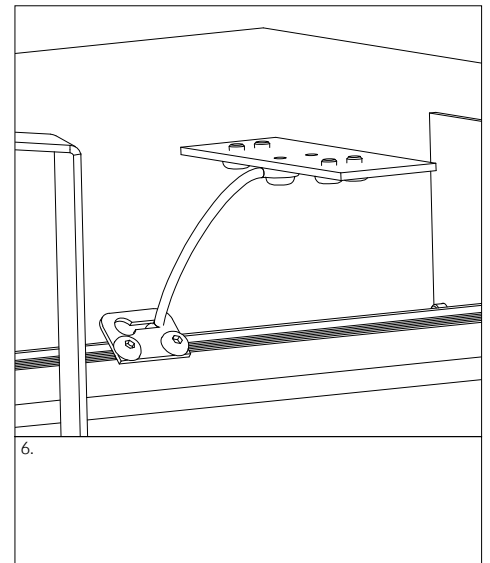
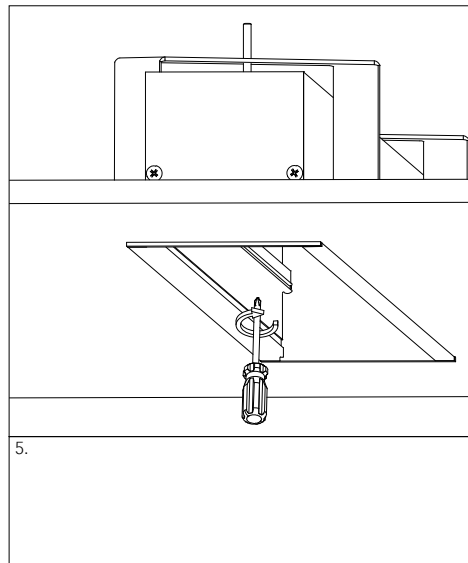
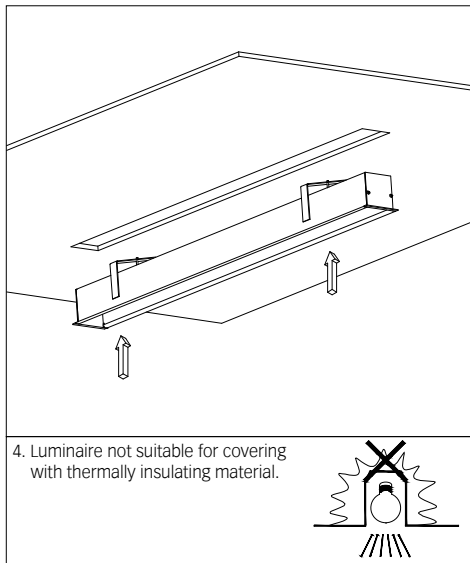
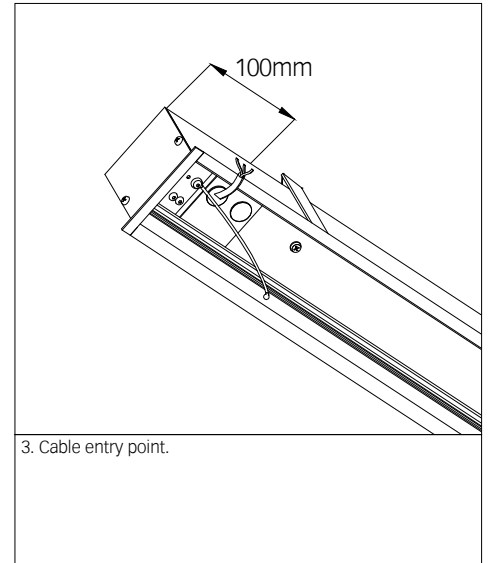
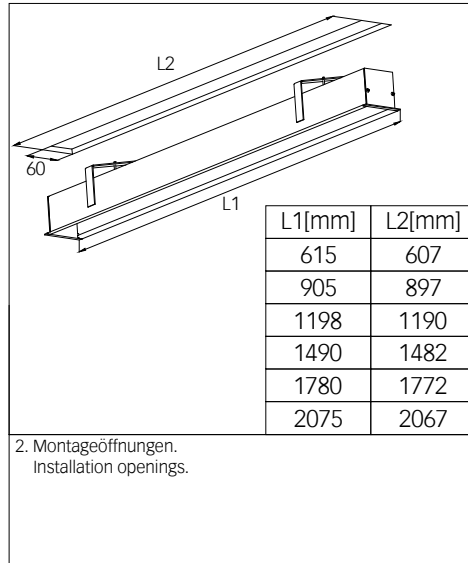
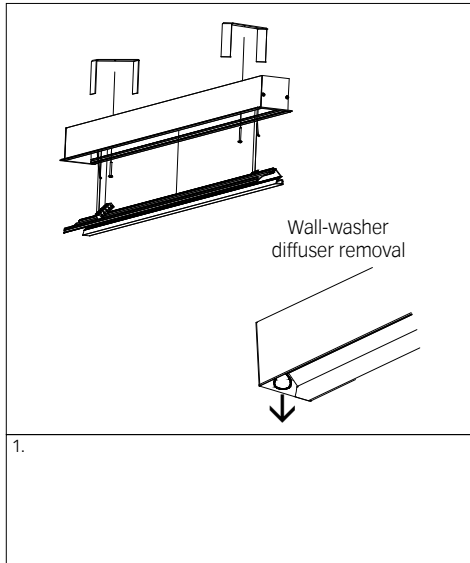
Maximum current load allowed for through-wiring is 13A.
 Non-user replaceable light source.

CLICK

9. Louvre installation.

MATRIC F3 | SYSTEM 55MM RECESSED FRAME WALLWASHER

1. MONTAGE UND INSTALLATION | MOUNTING AND INSTALLATION:



The light source contained in this luminaire shall only be replaced by the manufacturer or his service agent or a similar qualified person.